



V8032M1

Solid, manually operated 3-piece 2-Way PVDF ball valve with fusion socket or fusion spigot connection and ISO Top for direct mounting actuator

SIZE

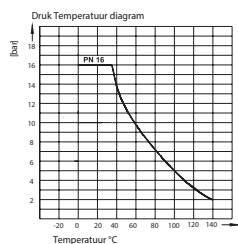
DN10 (3/8") to DN80 (3")

CONNECTION

- PVDF fusion socket according to DIN ASTM
- PVDF fusion spigot according to DIN
- Female thread BSP NPT
- Mounting flange according to ISO 5211

NOMINAL PRESSURE

From PN16



TEMPERATURE RANGE

Maximum 140°

MATERIALS

Body PVDF
Ball: PVDF
Ball seal: PTFE
Shaft: PVDF
Shaft sealing: EPDM / FPM
O-Ring: EPDM / FPM

FLOW DIRECTION

Random

MOUNTING POSITION

See mounting reference for industrial valves.

MEDIUM

Neutral gases and liquids. For applications with aggressive media consult resistance table. Certain media may increase the torque.

OPERATION (Standard)

Bare shaft

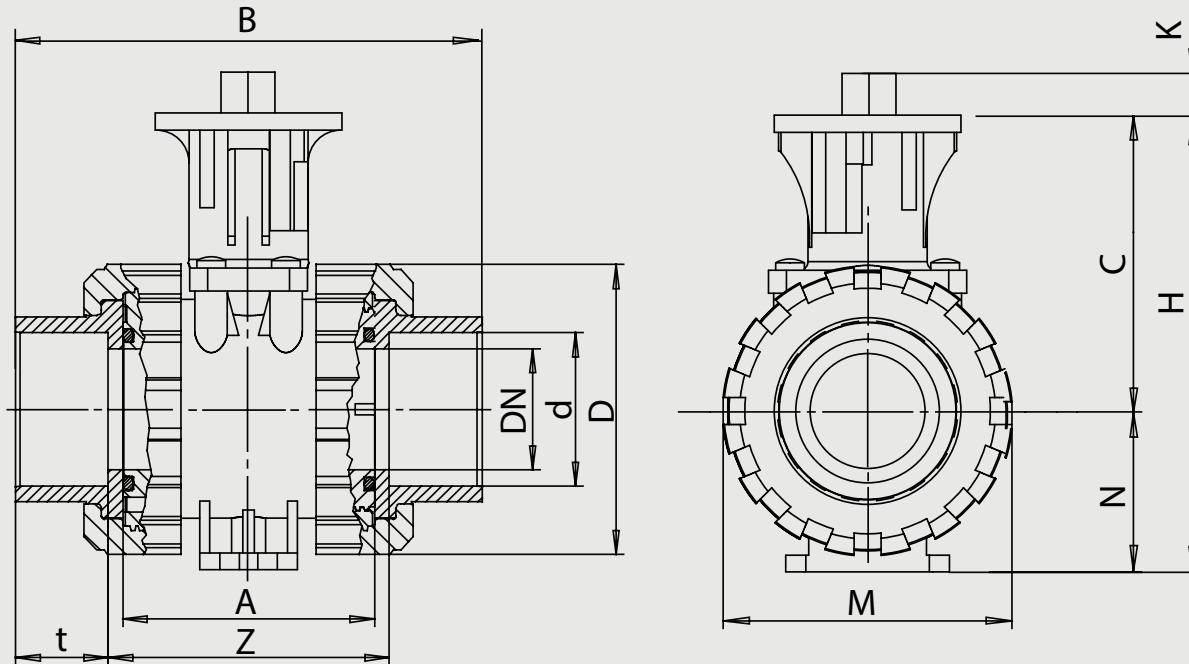
SOME ADVANTAGES

- Radially / removal
- Silicone free
- Centered ball
- Adjustable ball seating joint
- Full bore
- floating ball
- Integrated bottom mounting stand
- Maintenance free

OPTIONS

Lever operated
Spigot
Internal threaded
PVDF fusion socket
PVDF fusion spigot
Flange (ANSI, DIN, Jis)
Position Feedback

V8032M1



Ball Valve 2-way with fusion socket connection, ISO Top, FPM

Nominal[mm] connection[mm]		max. press. [bar]	M(1) +30% [Nm]	Flange	Squa- re	Kv in M3/h	Dimension [mm] and weight [kg]										Order Code
DN	Rp	PN					A	B	C	H	K	M	N	t	Z	Weight	
10	d16	16	2,6	F04	11	7,8	61,5	98,5	81	114	11	55,5	33	14,5	69,5	0,362	3V8032M12D1110
15	d20	16	2,6	F04	11	11,4	61,5	98,5	81	114	11	55,5	33	16	66,5	0,357	3V8032M12D1115
20	d25	16	3,9	F04	11	26,4	69	113	86,5	126,5	11	62	40	17,5	78	0,55	3V8032M12D1120
25	d32	16	6,5	F04	11	39	73	123	89,5	133	11	70	43,5	19,5	84	0,689	3V8032M12D1125
32	d40	16	7,8	F05	14	64,8	83	141	97	148	15	84	51	22	97	1,045	3V8032M12D1130
40	d50	16	10,4	F05	14	118,8	94	165	104,5	161	15	101	56,5	25,5	114	1,502	3V8032M12D1135
50	d63	16	13,0	F05	14	194,4	109	194,5	111,5	176	15	115	64,5	29	136,5	2,203	3V8032M12D1140
65	d75	16	26,0	F07	17	312	131,5	231	138,5	223,5	18	149	85	34,5	162	3,927	3V8032M12D1145
80	d90	16	35,1	F07	17	450	156,5	283,5	168	268	18	182	100	38,5	206,5	7,842	3V8032M12D1150
80	d110	16	35,1	F07	17	531	156,5	291,5	168	268	18	182	100	42	207,5	7,842	3V8032M12D1155

Ball Vave 2-way with fusion spigot connection, ISO Top, FPM

Nominal[mm] connection[mm]		max. press. [bar] PN	M(1) +30% [Nm]	Flange	Squa- re	Kv in M3/h	Dimension [mm] and weight [kg]										Order Code
DN	Rp						A	B	C	H	K	M	N	t	Z	Weight	
10	d16	16	2,6	F04	11	7,8	61,5	113,5	81	114	11	56,5	33	13	69,5	0,362	3V8032M12D1410
15	d20	16	2,6	F04	11	11,4	61,5	124	81	114	11	56,5	33	14	67	0,357	3V8032M12D1415
20	d25	16	3,9	F04	11	26,4	69	143	86,5	126,5	11	67	40	15,5	78	0,55	3V8032M12D1420
25	d32	16	6,5	F04	11	39	73	151	89,5	133	11	73,5	43,5	18	84	0,689	3V8032M12D1425
32	d40	16	7,8	F05	14	64,8	83	171	97	148	15	90	51	20,5	97	1,045	3V8032M12D1430
40	d50	16	10,4	F05	14	118,8	94	191	104,5	161	15	105,5	56,5	23,5	113	1,502	3V8032M12D1435
50	d63	16	13,0	F05	14	194,4	108,5	221	111,5	176	15	124,5	64,5	27,5	136	2,203	3V8032M12D1440
65	d75	16	26,0	F07	17	312	131,5	275	138,5	223,5	18	157,5	85	31	158,8	3,927	3V8032M12D1445
80	d90	16	35,1	F07	17	450	156,5	292	168	268	18	192,5	100	36	206,5	7,842	3V8032M12D1450
80	d110	16	35,1	F07	17	531	156,5	316,5	168	268	18	192,5	100	40	207,5	7,842	3V8032M12D1455

Ball Valve 2-way with BSP pipe threads connection, ISO Top, FPM

Nominal[mm] connection[mm]		max. press. [bar] PN	M(1) +30% [Nm]	Flange	Squa- re	Kv in M3/h	Dimension [mm] and weight [kg]										Order Code
DN	d						A	B	C	H	K	M	N	t	Z	Weight	
10	G3/8	16	2,6	F04	11	7,8	61,5	98	81	114	11	56,5	33	16	66	0,362	3V8032M12D0010
15	G1/2	16	2,6	F04	11	11,4	61,5	100,5	81	114	11	56,5	33	16,5	67,5	0,357	3V8032M12D0015
20	G3/4	16	3,25	F04	11	26,4	69	114	86,5	126,5	11	67	40	19,5	75	0,55	3V8032M12D0020
25	G1	16	5,85	F04	11	39	73	126	89,5	132,5	11	73,5	43	23	80	0,689	3V8032M12D0025
32	G1.1/4	16	7,8	F05	14	64,8	83	142	97	148	13	90	51	26,5	89	1,045	3V8032M12D0030
40	G1.1/2	16	9,75	F05	14	118,8	94	165	104,5	160,5	13	105,5	56	31,5	102	1,502	3V8032M12D0035
50	G2	16	13	F05	14	194,4	109	197	111,5	175,5	13	124,5	64	38,5	120	2,203	3V8032M12D0040
65	G2.1/2	16	26	F07	17	312	131,5	231,5	136,5	221,5	18	157,5	85	44,5	142,5	3,927	3V8032M12D0045
80	G3	16	36,4	F07	17	450	156,5	287,5	159,5	259,5	18	192,5	100	56,5	174,5	7,842	3V8032M12D0050
80	G4	16	36,4	F07	17	531	156,5	284	159,5	259,5	18	192,5	100	61	162	7,842	3V8032M12D0055



**Bare Shaft
2-Way 3-piece
PVDF ball valve**

V8032M1