

Electrically operated  
2-Way 3-piece  
PVC Praher ball valve

# E8430M1



## E8430M1

Solid, electrically operated 3-piece 2-Way PVC-U Praher Plastics ball valve with threaded or solvent socket connection and Valpes double acting actuator

### SIZE

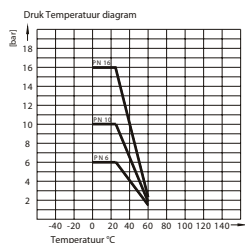
DN10 (3/8", d16) to DN80 (3", d110)

### CONNECTION

- Solvent Socket connection according to DIN ASTM JIS
- Female thread BSP NPT
- Mounting flange according to ISO 5211

### NOMINAL PRESSURE

From PN16 (3/8) to PN6 (3")



### TEMPERATURE RANGE

From:  
-10° to +55°C

### MATERIALS

Body: PVC-U  
Ball: PVC-U  
Ball seal: PTFE  
Shaft: PVC-U  
Shaft sealing: EPDM / FPM  
O-Ring: EPDM / FPM

### FLOW DIRECTION

Random

### MOUNTING POSITION

See mounting reference for industrial valves.

### MEDIUM

Neutral gases and liquids. For applications with aggressive media consult resistance table. Certain media may increase the torque.

### OPERATION (Standard)

With electric actuator.

### VOLTAGE

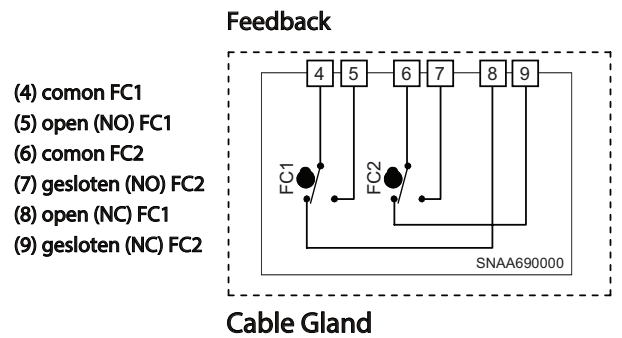
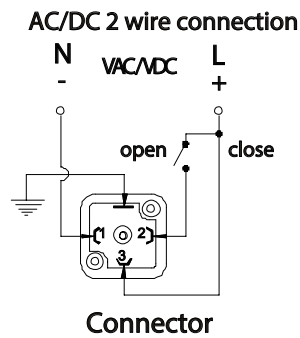
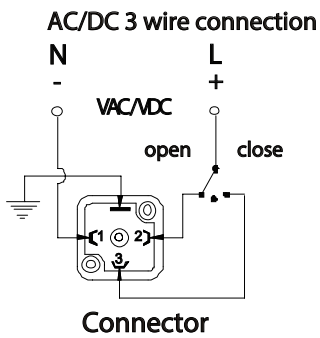
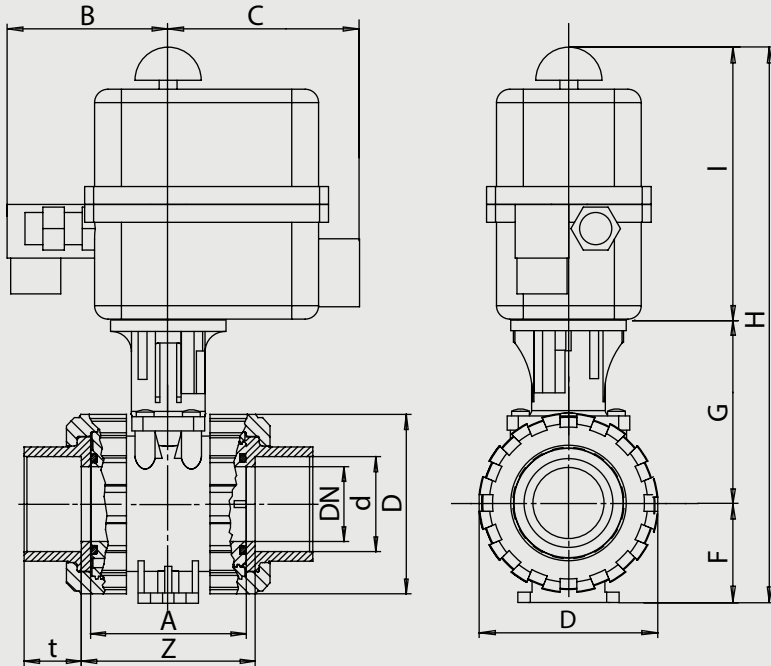
24 Volt 50/60Hz, 24 Volt DC  
100-240V 50/60Hz, 100-350 Volt DC

### SOME ADVANTAGES

- Radially / removal
- Centered ball
- Full bore
- Floating ball
- Enclosure IP65
- Duty rating: 30% (IEC34)
- Torque limiter with polyswitch
- Mechanical travel stops at 90°
- Secured manual override

### OPTIONS AND ACCESSORIES

PP Fusion socket  
PP Fusion spigot  
Flange (ANSI/ASA, DIN, Jis)



**Double-acting ball valve with solvent socket connection, EPDM, 24 Volt AC/DC**

Nominal[mm] connection[mm]		max. press. [bar]	M(1) +30% [Nm]	Flan- ge	Squa- re	Kv [m <sup>3</sup> /h]	Elec- trical actu- ator	Dimension [mm] and weight [kg]										Order Code	
DN	d	PN						A	B	C	D	F	G	H	I	t	Z	Weight	
10	d16	16	2,6	F04	11	11,9	ER20	45	107	51	55,5	33	80	265	152	16	51	1,86	3E8430M10V111012
15	d20	16	2,6	F04	11	13,5	ER20	45	107	51	55,5	33	80	265	152	16,5	50	1,86	3E8430M10V111512
20	d25	16	3,25	F04	11	24,0	ER20	53,5	107	51	62	40	85,5	278	152	19,5	59,5	1,97	3E8430M10V112012
25	d32	16	5,85	F04	11	37,8	ER20	54	107	51	70	43	88	283	152	23	60	2,06	3E8430M10V112512
32	d40	16	7,8	F05	11	54,0	ER20	62	107	51	84	51	97	300	152	26,5	68,5	2,58	3E8430M10V113012
40	d50	16	9,75	F05	14	127	ER20	78	107	51	101	56	103	311	152	31,5	86	2,93	3E8430M10V113512
50	d63	16	13	F05	14	180	ER20	87	107	51	115	64	109,5	326	152	38,5	98	3,43	3E8430M10V114012
65	d75	16	26	F07	17	309	ER35	111,5	112	51	149	85	136,5	398	176	44,5	122	6,72	3E8430M10V114512
80	d90	16	36,4	F07	17	456	ER60	135,5	112	51	182	100	159,5	437	176	56,5	152,5	8,93	3E8430M10V115012
80	d110	16	36,4	F07	17	456	ER60	135,5	112	51	182	100	159,5	437	176	61	162	8,93	3E8430M10V115512

**Double-acting ball valve with solvent socket connection, EPDM, 100-240 Volt AC/DC**

Nominal[mm] connection[mm]		max. press. [bar]	M(1) +30% [Nm]	Flan- ge	Squa- re	Kv [m <sup>3</sup> /h]	Elec- trical actu- ator	Dimension [mm] and weight [kg]										Order Code	
DN	d	PN						A	B	C	D	F	G	H	I	t	Z	Weight	
10	d16	16	2,6	F04	11	11,9	ER20	45	107	51	55,5	33	80	265	152	16	51	1,86	3E8430M10V111040
15	d20	16	2,6	F04	11	13,5	ER20	45	107	51	55,5	33	80	265	152	16,5	50	1,86	3E8430M10V111540
20	d25	16	3,25	F04	11	24,0	ER20	53,5	107	51	62	40	85,5	278	152	19,5	59,5	1,97	3E8430M10V112040
25	d32	16	5,85	F04	11	37,8	ER20	54	107	51	70	43	88	283	152	23	60	2,06	3E8430M10V112540
32	d40	16	7,8	F05	11	54,0	ER20	62	107	51	84	51	97	300	152	26,5	68,5	2,58	3E8430M10V113040
40	d50	16	9,75	F05	14	127	ER20	78	107	51	101	56	103	311	152	31,5	86	2,93	3E8430M10V113540
50	d63	16	13	F05	14	180	ER20	87	107	51	115	64	109,5	326	152	38,5	98	3,43	3E8430M10V114040
65	d75	16	26	F07	17	309	ER35	111,5	112	51	149	85	136,5	398	176	44,5	122	6,72	3E8430M10V114540
80	d90	16	36,4	F07	17	456	ER60	135,5	112	51	182	100	159,5	437	176	56,5	152,5	8,93	3E8430M10V115040
80	d110	16	36,4	F07	17	456	ER60	135,5	112	51	182	100	159,5	437	176	61	162	8,93	3E8430M10V115540

**Double-acting ball valve with pipe threads connection, EPDM, 24 Volt AC/DC**

Nominal[mm] connection[mm]		max. press. [bar]	M(1) +30% [Nm]	Flan- ge	Squa- re	Kv [m <sup>3</sup> /h]	Elect- rical actu- ator	Dimension [mm] and weight [kg]										Order Code	
DN	Rp	PN						A	B	C	D	F	G	H	I	t	Z	Weight	
10	G3/8	16	2,6	F04	11	11,9	ER20	45	107	51	55,5	33	80	265	152	16	51	1,86	3E8430M10V001012
15	G1/2	16	2,6	F04	11	13,5	ER20	45	107	51	55,5	33	80	265	152	16,5	50	1,86	3E8430M10V001512
20	G3/4	16	3,25	F04	11	24,0	ER20	53,5	107	51	62	40	85,5	278	152	19,5	59,5	1,97	3E8430M10V002012
25	G1	16	5,85	F04	11	37,8	ER20	54	107	51	70	43	88	283	152	23	60	2,06	3E8430M10V002512
32	G1.1/4	16	7,8	F05	11	54,0	ER20	62	107	51	84	51	97	300	152	26,5	68,5	2,58	3E8430M10V003012
40	G1.1/2	16	9,75	F05	14	127	ER20	78	107	51	101	56	103	311	152	31,5	86	2,93	3E8430M10V003512
50	G2	16	13	F05	14	180	ER20	87	107	51	115	64	109,5	326	152	38,5	98	3,43	3E8430M10V004012
65	G2.1/2	16	26	F07	17	309	ER35	111,5	112	51	149	85	136,5	398	176	44,5	122	6,72	3E8430M10V004512
80	G3	16	36,4	F07	17	456	ER60	135,5	112	51	182	100	159,5	437	176	56,5	152,5	8,93	3E8430M10V005012

**Double-acting ball valve with pipe threads connection, EPDM, 100-240 Volt AC/DC**

Nominal[mm] connection[mm]		max. press. [bar]	M(1) +30% [Nm]	Flan- ge	Squa- re	Kv [m <sup>3</sup> /h]	Elect- rical actu- ator	Dimension [mm] and weight [kg]										Order Code	
DN	Rp	PN						A	B	C	D	F	G	H	I	t	Z	Weight	
10	G3/8	16	2,6	F04	11	11,9	ER20	45	107	51	55,5	33	80	265	152	16	51	1,86	3E8430M10V001040
15	G1/2	16	2,6	F04	11	13,5	ER20	45	107	51	55,5	33	80	265	152	16,5	50	1,86	3E8430M10V001540
20	G3/4	16	3,25	F04	11	24,0	ER20	53,5	107	51	62	40	85,5	278	152	19,5	59,5	1,97	3E8430M10V002040
25	G1	16	5,85	F04	11	37,8	ER20	54	107	51	70	43	88	283	152	23	60	2,06	3E8430M10V002540
32	G1.1/4	16	7,8	F05	11	54,0	ER20	62	107	51	84	51	97	300	152	26,5	68,5	2,58	3E8430M10V003040
40	G1.1/2	16	9,75	F05	14	127	ER20	78	107	51	101	56	103	311	152	31,5	86	2,93	3E8430M10V003540
50	G2	16	13	F05	14	180	ER20	87	107	51	115	64	109,5	326	152	38,5	98	3,43	3E8430M10V004040
65	G2.1/2	16	26	F07	17	309	ER35	111,5	112	51	149	85	136,5	398	176	44,5	122	6,72	3E8430M10V004540
80	G3	16	36,4	F07	17	456	ER60	135,5	112	51	182	100	159,5	437	176	56,5	152,5	8,93	3E8430M10V005040

**Double-acting ball valve with solvent socket connection, FPM, 24 Volt AC/DC**

Nominal[mm] connection[mm]		max. press. [bar]	M(1) +30% [Nm]	Flan- ge	Squa- re	Kv [m <sup>3</sup> /h]	Elec- trical actu- ator	Dimension [mm] and weight [kg]										Order Code	
DN	d	PN						A	B	C	D	F	G	H	I	t	Z	Weight	
10	d16	16	2,6	F04	11	11,9	ER20	45	107	51	55,5	33	80	265	152	16	51	1,86	3E8430M12V111012
15	d20	16	2,6	F04	11	13,5	ER20	45	107	51	55,5	33	80	265	152	16,5	50	1,86	3E8430M12V111512
20	d25	16	3,25	F04	11	24,0	ER20	53,5	107	51	62	40	85,5	278	152	19,5	59,5	1,97	3E8430M12V112012
25	d32	16	5,85	F04	11	37,8	ER20	54	107	51	70	43	88	283	152	23	60	2,06	3E8430M12V112512
32	d40	16	7,8	F05	11	54,0	ER20	62	107	51	84	51	97	300	152	26,5	68,5	2,58	3E8430M12V113012
40	d50	16	9,75	F05	14	127	ER20	78	107	51	101	56	103	311	152	31,5	86	2,93	3E8430M12V113512
50	d63	16	13	F05	14	180	ER20	87	107	51	115	64	109,5	326	152	38,5	98	3,43	3E8430M12V114012
65	d75	16	26	F07	17	309	ER35	111,5	112	51	149	85	136,5	398	176	44,5	122	6,72	3E8430M12V114512
80	d90	16	36,4	F07	17	456	ER60	135,5	112	51	182	100	159,5	437	176	56,5	152,5	8,93	3E8430M12V115012
80	d110	16	36,4	F07	17	456	ER60	135,5	112	51	182	100	159,5	437	176	61	162	8,93	3E8430M12V115512

**Double-acting ball valve with solvent socket connection, FPM, 100-240 Volt AC/DC**

Nominal[mm] connection[mm]		max. press. [bar]	M(1) +30% [Nm]	Flan- ge	Squa- re	Kv [m <sup>3</sup> /h]	Elec- trical actu- ator	Dimension [mm] and weight [kg]										Order Code	
DN	d	PN						A	B	C	D	F	G	H	I	t	Z	Weight	
10	d16	16	2,6	F04	11	11,9	ER20	45	107	51	55,5	33	80	265	152	16	51	1,86	3E8430M12V111040
15	d20	16	2,6	F04	11	13,5	ER20	45	107	51	55,5	33	80	265	152	16,5	50	1,86	3E8430M12V111540
20	d25	16	3,25	F04	11	24,0	ER20	53,5	107	51	62	40	85,5	278	152	19,5	59,5	1,97	3E8430M12V112040
25	d32	16	5,85	F04	11	37,8	ER20	54	107	51	70	43	88	283	152	23	60	2,06	3E8430M12V112540
32	d40	16	7,8	F05	11	54,0	ER20	62	107	51	84	51	97	300	152	26,5	68,5	2,58	3E8430M12V113040
40	d50	16	9,75	F05	14	127	ER20	78	107	51	101	56	103	311	152	31,5	86	2,93	3E8430M12V113540
50	d63	16	13	F05	14	180	ER20	87	107	51	115	64	109,5	326	152	38,5	98	3,43	3E8430M12V114040
65	d75	16	26	F07	17	309	ER35	111,5	112	51	149	85	136,5	398	176	44,5	122	6,72	3E8430M12V114540
80	d90	16	36,4	F07	17	456	ER60	135,5	112	51	182	100	159,5	437	176	56,5	152,5	8,93	3E8430M12V115040
80	d110	16	36,4	F07	17	456	ER60	135,5	112	51	182	100	159,5	437	176	61	162	8,93	3E8430M12V115540

# E8430M1

## Double-acting ball valve with pipe threads connection, FPM, 24 Volt AC/DC

Nominal[mm] connection[mm]		max. press. [bar]	M(1) +30% [Nm]	Flan- ge	Squa- re	Kv [m <sup>3</sup> /h]	Elect- rical actu- ator	Dimension [mm] and weight [kg]										Order Code	
DN	Rp	PN						A	B	C	D	F	G	H	I	t	Z	Weight	
10	G3/8	16	2,6	F04	11	11,9	ER20	45	107	51	55,5	33	80	265	152	16	51	1,86	3E8430M12V001012
15	G1/2	16	2,6	F04	11	13,5	ER20	45	107	51	55,5	33	80	265	152	16,5	50	1,86	3E8430M12V001512
20	G3/4	16	3,25	F04	11	24,0	ER20	53,5	107	51	62	40	85,5	278	152	19,5	59,5	1,97	3E8430M12V002012
25	G1	16	5,85	F04	11	37,8	ER20	54	107	51	70	43	88	283	152	23	60	2,06	3E8430M12V002512
32	G1.1/4	16	7,8	F05	11	54,0	ER20	62	107	51	84	51	97	300	152	26,5	68,5	2,58	3E8430M12V003012
40	G1.1/2	16	9,75	F05	14	127	ER20	78	107	51	101	56	103	311	152	31,5	86	2,93	3E8430M12V003512
50	G2	16	13	F05	14	180	ER20	87	107	51	115	64	109,5	326	152	38,5	98	3,43	3E8430M12V004012
65	G2.1/2	16	26	F07	17	309	ER35	111,5	112	51	149	85	136,5	398	176	44,5	122	6,72	3E8430M12V004512
80	G3	16	36,4	F07	17	456	ER60	135,5	112	51	182	100	159,5	437	176	56,5	152,5	8,93	3E8430M12V005012

## Double-acting ball valve with pipe threads connection, FPM, 100-240 Volt AC/DC

Nominal[mm] connection[mm]		max. press. [bar]	M(1) +30% [Nm]	Flan- ge	Squa- re	Kv [m <sup>3</sup> /h]	Elect- rical actu- ator	Dimension [mm] and weight [kg]										Order Code	
DN	Rp	PN						A	B	C	D	F	G	H	I	t	Z	Weight	
10	G3/8	16	2,6	F04	11	11,9	ER20	45	107	51	55,5	33	80	265	152	16	51	1,86	3E8430M12V001040
15	G1/2	16	2,6	F04	11	13,5	ER20	45	107	51	55,5	33	80	265	152	16,5	50	1,86	3E8430M12V001540
20	G3/4	16	3,25	F04	11	24,0	ER20	53,5	107	51	62	40	85,5	278	152	19,5	59,5	1,97	3E8430M12V002040
25	G1	16	5,85	F04	11	37,8	ER20	54	107	51	70	43	88	283	152	23	60	2,06	3E8430M12V002540
32	G1.1/4	16	7,8	F05	11	54,0	ER20	62	107	51	84	51	97	300	152	26,5	68,5	2,58	3E8430M12V003040
40	G1.1/2	16	9,75	F05	14	127	ER20	78	107	51	101	56	103	311	152	31,5	86	2,93	3E8430M12V003540
50	G2	16	13	F05	14	180	ER20	87	107	51	115	64	109,5	326	152	38,5	98	3,43	3E8430M12V004040
65	G2.1/2	16	26	F07	17	309	ER35	111,5	112	51	149	85	136,5	398	176	44,5	122	6,72	3E8430M12V004540
80	G3	16	36,4	F07	17	456	ER60	135,5	112	51	182	100	159,5	437	176	56,5	152,5	8,93	3E8430M12V005040