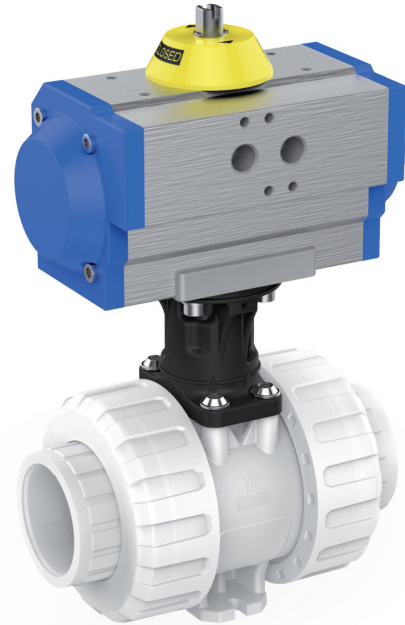


**Pneumatically operated
2-Way 3-piece
PVDF ball valve**

P8732M1



P8732M1

Solid, pneumatically operated 2-Way 3-piece PVDF ball valve with airpower actuator in double acting and single acting version.

SIZE

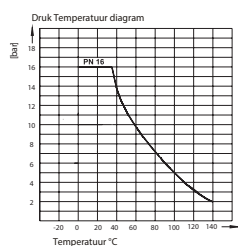
DN10 (3/8") to DN80 (3")

CONNECTION

- PVDF fusion socket according to DIN ASTM
- PVDF fusion spigot according to DIN
- Female thread BSP NPT
- Flange according to ANSI, DIN, Jis

NOMINAL PRESSURE

PN16



TEMPERATURE RANGE

Maximum 140°

MATERIALS

Body: PVDF
Ball: PVDF
Ball seal: PTFE
Shaft: PVDF
Shaft sealing: FPM
O-Ring: FPM

FLOW DIRECTION

Random

MOUNTING POSITION

See mounting reference for industrial valves.

MEDIUM

Neutral gases and liquids. For applications with aggressive media consult resistance table. Certain media may increase the torque.

OPERATION (Standard)

With pneumatic actuator double acting or single acting (spring closing "NC" or spring opening "NO") version.

CONTROL MEDIUM

Compressed air or inert gases according PNEUROP/ISO class 4, other control medium on request.

CONTROL PRESSURE

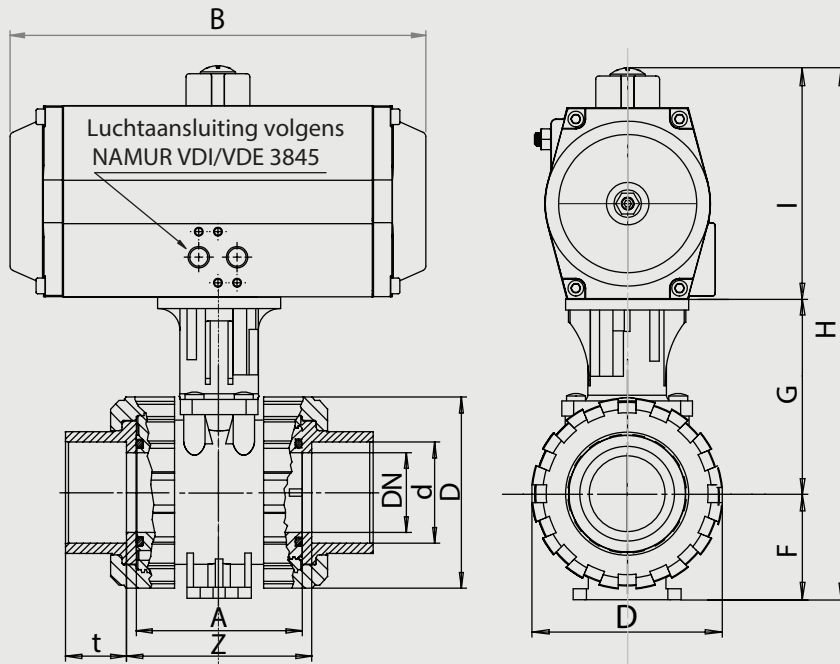
5,5 bar, other control pressure on request.

SOME ADVANTAGES

- Radially / removal
- Centered ball
- Full bore
- Floating ball

OPTIONS AND ACCESSORIES

Mechanical or inductive end position switches mounted in a signal box or loose on the actuator.
PVDF fusion socket, PVDF fusion spigot, Flange (ANSI / ASA, DIN, Jis)



Double-acting ball valve with fusion socket connection, FPM

| Nominal[mm] connection[mm] | | max. press. [bar] | M(1) +30% [Nm] | Flan- ge | Squa- re | Kv | Pneumatic Actuator | Dimension [mm] and weight [kg] | | | | | | | | | | Order Code |
|-------------------------------|------|-------------------------|----------------------|-------------|-------------|------|-----------------------|--------------------------------|-----|------|------|-------|-------|-----|------|-------|--------|----------------|
| DN | Rp | PN | | | | | | A | B | D | F | G | H | I | t | Z | Weight | |
| 10 | d16 | 16 | 2,6 | F04 | 11 | 7,8 | APD050 | 61,5 | 147 | 55,5 | 33,0 | 81,0 | 208,0 | 94 | 14,5 | 69,5 | 1,65 | 3P8732M12D1110 |
| 15 | d20 | 16 | 2,6 | F04 | 11 | 11,4 | APD050 | 61,5 | 147 | 55,5 | 33,0 | 81,0 | 208,0 | 94 | 16,0 | 66,5 | 1,65 | 3P8732M12D1115 |
| 20 | d25 | 16 | 3,9 | F04 | 11 | 26,4 | APD050 | 69,0 | 147 | 62,0 | 40,0 | 86,5 | 220,5 | 94 | 17,5 | 78,0 | 1,78 | 3P8732M12D1120 |
| 25 | d32 | 16 | 6,5 | F04 | 11 | 39,0 | APD050 | 73,0 | 147 | 70,0 | 43,5 | 89,5 | 227,0 | 94 | 19,5 | 84,0 | 1,85 | 3P8732M12D1125 |
| 32 | d40 | 16 | 7,8 | F05 | 11 | 64,8 | APD050 | 83,0 | 147 | 84,0 | 51,0 | 97,0 | 242,0 | 94 | 22,0 | 97,0 | 2,05 | 3P8732M12D1130 |
| 40 | d50 | 16 | 10,4 | F05 | 14 | 119 | APD060 | 94,0 | 168 | 101 | 56,5 | 104,5 | 269,0 | 108 | 25,5 | 114,0 | 3,03 | 3P8732M12D1135 |
| 50 | d63 | 16 | 13,0 | F05 | 14 | 195 | APD060 | 109,0 | 168 | 115 | 64,5 | 111,5 | 284,0 | 108 | 29,0 | 136,5 | 3,40 | 3P8732M12D1140 |
| 65 | d75 | 16 | 26,0 | F07 | 17 | 312 | APD070 | 131,5 | 184 | 149 | 85,0 | 138,5 | 343,5 | 120 | 34,5 | 162,0 | 5,20 | 3P8732M12D1145 |
| 80 | d90 | 16 | 35,1 | F07 | 17 | 450 | APD070 | 156,5 | 184 | 182 | 100 | 168,0 | 388,0 | 120 | 38,5 | 206,5 | 7,25 | 3P8732M12D1150 |
| 80 | d110 | 16 | 35,1 | F07 | 17 | 531 | APD070 | 156,5 | 184 | 182 | 100 | 168,0 | 388,0 | 120 | 42,0 | 207,5 | 7,30 | 3P8732M12D1155 |

Single-acting ball valve with fusion socket connection, FPM, NC

| Nominal[mm] connection[mm] | | max. press. [bar] PN | M(1) +30% [Nm] | Flan- ge | Squa- re | Kv | Pneumatic Actuator | Dimension [mm] and weight [kg] | | | | | | | | | | Order Code |
|-------------------------------|------|-------------------------------|----------------------|-------------|-------------|------|-----------------------|--------------------------------|-----|------|------|-------|-------|-----|------|-------|--------|----------------|
| DN | Rp | | | | | | | A | B | D | F | G | H | I | t | Z | Weight | |
| 10 | d16 | 16 | 2,6 | F04 | 11 | 7,8 | APS050 | 61,5 | 147 | 55,5 | 33,0 | 81,0 | 208,0 | 94 | 14,5 | 69,5 | 1,75 | 3P8732M12D1210 |
| 15 | d20 | 16 | 2,6 | F04 | 11 | 11,4 | APS050 | 61,5 | 147 | 55,5 | 33,0 | 81,0 | 208,0 | 94 | 16,0 | 66,5 | 1,75 | 3P8732M12D1215 |
| 20 | d25 | 16 | 3,9 | F04 | 11 | 26,4 | APS050 | 69,0 | 147 | 62,0 | 40,0 | 86,5 | 220,5 | 94 | 17,5 | 78,0 | 1,88 | 3P8732M12D1220 |
| 25 | d32 | 16 | 6,5 | F04 | 11 | 39,0 | APS050 | 73,0 | 147 | 70,0 | 43,5 | 89,5 | 227,0 | 94 | 19,5 | 84,0 | 1,95 | 3P8732M12D1225 |
| 32 | d40 | 16 | 7,8 | F05 | 11 | 64,8 | APS050 | 83,0 | 147 | 84,0 | 51,0 | 97,0 | 242,0 | 94 | 22,0 | 97,0 | 2,15 | 3P8732M12D1230 |
| 40 | d50 | 16 | 10,4 | F05 | 14 | 119 | APS060 | 94,0 | 168 | 101 | 56,5 | 104,5 | 269,0 | 108 | 25,5 | 114,0 | 3,23 | 3P8732M12D1235 |
| 50 | d63 | 16 | 13,0 | F05 | 14 | 195 | APS060 | 109,0 | 168 | 115 | 64,5 | 111,5 | 284,0 | 108 | 29,0 | 136,5 | 3,60 | 3P8732M12D1240 |
| 65 | d75 | 16 | 26,0 | F07 | 17 | 312 | APS070 | 131,5 | 184 | 149 | 85,0 | 138,5 | 343,5 | 120 | 34,5 | 162,0 | 5,50 | 3P8732M12D1245 |
| 80 | d90 | 16 | 35,1 | F07 | 17 | 450 | APS080 | 156,5 | 204 | 182 | 100 | 168,0 | 397,0 | 129 | 38,5 | 206,5 | 7,55 | 3P8732M12D1250 |
| 80 | d110 | 16 | 35,1 | F07 | 17 | 531 | APS080 | 156,5 | 204 | 182 | 100 | 168,0 | 397,0 | 129 | 42,0 | 207,5 | 7,60 | 3P8732M12D1255 |

Single-acting ball valve with fusion socket connection, FPM, NO

| Nominal[mm] connection[mm] | | max. press. [bar] PN | M(1) +30% [Nm] | Flan- ge | Squa- re | Kv | Pneumatic Actuator | Dimension [mm] and weight [kg] | | | | | | | | | | Order Code |
|-------------------------------|------|-------------------------------|----------------------|-------------|-------------|------|-----------------------|--------------------------------|-----|------|------|-------|-------|-----|------|-------|--------|----------------|
| DN | d | | | | | | | A | B | D | F | G | H | I | t | Z | Weight | |
| 10 | d16 | 16 | 2,6 | F04 | 11 | 7,8 | APS050 | 61,5 | 147 | 55,5 | 33,0 | 81,0 | 208,0 | 94 | 14,5 | 69,5 | 1,75 | 3P8732M12D1310 |
| 15 | d20 | 16 | 2,6 | F04 | 11 | 11,4 | APS050 | 61,5 | 147 | 55,5 | 33,0 | 81,0 | 208,0 | 94 | 16,0 | 66,5 | 1,75 | 3P8732M12D1315 |
| 20 | d25 | 16 | 3,9 | F04 | 11 | 26,4 | APS050 | 69,0 | 147 | 62,0 | 40,0 | 86,5 | 220,5 | 94 | 17,5 | 78,0 | 1,88 | 3P8732M12D1320 |
| 25 | d32 | 16 | 6,5 | F04 | 11 | 39,0 | APS050 | 73,0 | 147 | 70,0 | 43,5 | 89,5 | 227,0 | 94 | 19,5 | 84,0 | 1,95 | 3P8732M12D1325 |
| 32 | d40 | 16 | 7,8 | F05 | 11 | 64,8 | APS050 | 83,0 | 147 | 84,0 | 51,0 | 97,0 | 242,0 | 94 | 22,0 | 97,0 | 2,15 | 3P8732M12D1330 |
| 40 | d50 | 16 | 10,4 | F05 | 14 | 119 | APS060 | 94,0 | 168 | 101 | 56,5 | 104,5 | 269,0 | 108 | 25,5 | 114,0 | 3,23 | 3P8732M12D1335 |
| 50 | d63 | 16 | 13,0 | F05 | 14 | 195 | APS060 | 109,0 | 168 | 115 | 64,5 | 111,5 | 284,0 | 108 | 29,0 | 136,5 | 3,60 | 3P8732M12D1340 |
| 65 | d75 | 16 | 26,0 | F07 | 17 | 312 | APS070 | 131,5 | 184 | 149 | 85,0 | 138,5 | 343,5 | 120 | 34,5 | 162,0 | 5,50 | 3P8732M12D1345 |
| 80 | d90 | 16 | 35,1 | F07 | 17 | 450 | APS080 | 156,5 | 204 | 182 | 100 | 168,0 | 397,0 | 129 | 38,5 | 206,5 | 7,55 | 3P8732M12D1350 |
| 80 | d110 | 16 | 35,1 | F07 | 17 | 531 | APS080 | 156,5 | 204 | 182 | 100 | 168,0 | 397,0 | 129 | 42,0 | 207,5 | 7,60 | 3P8732M12D1355 |

Double-acting ball valve with fusion spigot connection, FPM

| Nominal[mm] connection[mm] | | max. press. [bar] PN | M(1) +30% [Nm] | Flan- ge | Squa- re | Kv | Pneumatic Actuator | Dimension [mm] and weight [kg] | | | | | | | | | | Order Code |
|-------------------------------|------|-------------------------------|----------------------|-------------|-------------|------|-----------------------|--------------------------------|-----|------|------|-------|-------|-----|------|-------|--------|----------------|
| DN | d | | | | | | | A | B | D | F | G | H | I | t | Z | Weight | |
| 10 | d16 | 16 | 2,6 | F04 | 11 | 7,8 | APD050 | 61,5 | 147 | 55,5 | 33,0 | 81,0 | 208,0 | 94 | 13,0 | 85,5 | 1,65 | 3P8732M12D1410 |
| 15 | d20 | 16 | 2,6 | F04 | 11 | 11,4 | APD050 | 61,5 | 147 | 55,5 | 33,0 | 81,0 | 208,0 | 94 | 14,0 | 95,0 | 1,65 | 3P8732M12D1415 |
| 20 | d25 | 16 | 3,9 | F04 | 11 | 26,4 | APD050 | 69,0 | 147 | 62,0 | 40,0 | 86,5 | 220,5 | 94 | 15,5 | 110,5 | 1,78 | 3P8732M12D1420 |
| 25 | d32 | 16 | 6,5 | F04 | 11 | 39,0 | APD050 | 73,0 | 147 | 70,0 | 43,5 | 89,5 | 227,0 | 94 | 18,0 | 114,0 | 1,85 | 3P8732M12D1425 |
| 32 | d40 | 16 | 7,8 | F05 | 11 | 64,8 | APD050 | 83,0 | 147 | 84,0 | 51,0 | 97,0 | 242,0 | 94 | 20,5 | 100,0 | 2,05 | 3P8732M12D1430 |
| 40 | d50 | 16 | 10,4 | F05 | 14 | 119 | APD060 | 94,0 | 168 | 101 | 56,5 | 104,5 | 269,0 | 108 | 23,5 | 132,0 | 3,03 | 3P8732M12D1435 |
| 50 | d63 | 16 | 13,0 | F05 | 14 | 195 | APD060 | 109,0 | 168 | 115 | 64,5 | 111,5 | 284,0 | 108 | 27,5 | 142,0 | 3,40 | 3P8732M12D1440 |
| 65 | d75 | 16 | 26,0 | F07 | 17 | 312 | APD070 | 131,5 | 184 | 149 | 85,0 | 138,5 | 343,5 | 120 | 31,0 | 185,0 | 5,20 | 3P8732M12D1445 |
| 80 | d90 | 16 | 35,1 | F07 | 17 | 450 | APD070 | 156,5 | 184 | 182 | 100 | 168,0 | 388,0 | 120 | 35,0 | 216,5 | 7,25 | 3P8732M12D1450 |
| 80 | d110 | 16 | 35,1 | F07 | 17 | 531 | APD070 | 156,5 | 184 | 182 | 100 | 168,0 | 388,0 | 120 | 40,0 | 236,0 | 7,30 | 3P8732M12D1455 |

Single-acting ball valve with fusion spigot connection, FPM, NC

| Nominal[mm] connection[mm] | | max. press. [bar] PN | M(1) +30% [Nm] | Flan- ge | Squa- re | Kv | Pneumatic Actuator | Dimension [mm] and weight [kg] | | | | | | | | | | Order Code |
|-------------------------------|------|-------------------------------|----------------------|-------------|-------------|------|-----------------------|--------------------------------|-----|------|------|-------|-------|-----|------|-------|--------|----------------|
| DN | d | | | | | | | A | B | D | F | G | H | I | t | Z | Weight | |
| 10 | d16 | 16 | 2,6 | F04 | 11 | 7,8 | APS050 | 61,5 | 147 | 55,5 | 33,0 | 81,0 | 208,0 | 94 | 13,0 | 85,5 | 1,75 | 3P8732M12D1510 |
| 15 | d20 | 16 | 2,6 | F04 | 11 | 11,4 | APS050 | 61,5 | 147 | 55,5 | 33,0 | 81,0 | 208,0 | 94 | 14,0 | 95,0 | 1,75 | 3P8732M12D1515 |
| 20 | d25 | 16 | 3,9 | F04 | 11 | 26,4 | APS050 | 69,0 | 147 | 62,0 | 40,0 | 86,5 | 220,5 | 94 | 15,5 | 110,5 | 1,88 | 3P8732M12D1520 |
| 25 | d32 | 16 | 6,5 | F04 | 11 | 39,0 | APS050 | 73,0 | 147 | 70,0 | 43,5 | 89,5 | 227,0 | 94 | 18,0 | 114,0 | 1,95 | 3P8732M12D1525 |
| 32 | d40 | 16 | 7,8 | F05 | 11 | 64,8 | APS050 | 83,0 | 147 | 84,0 | 51,0 | 97,0 | 242,0 | 94 | 20,5 | 100,0 | 2,15 | 3P8732M12D1530 |
| 40 | d50 | 16 | 10,4 | F05 | 14 | 119 | APS060 | 94,0 | 168 | 101 | 56,5 | 104,5 | 269,0 | 108 | 23,5 | 132,0 | 3,23 | 3P8732M12D1535 |
| 50 | d63 | 16 | 13,0 | F05 | 14 | 195 | APS060 | 109,0 | 168 | 115 | 64,5 | 111,5 | 284,0 | 108 | 27,5 | 142,0 | 3,60 | 3P8732M12D1540 |
| 65 | d75 | 16 | 26,0 | F07 | 17 | 312 | APS070 | 131,5 | 184 | 149 | 85,0 | 138,5 | 343,5 | 120 | 31,0 | 185,0 | 5,50 | 3P8732M12D1545 |
| 80 | d90 | 16 | 35,1 | F07 | 17 | 450 | APS080 | 156,5 | 204 | 182 | 100 | 168,0 | 397,0 | 129 | 35,0 | 216,5 | 7,55 | 3P8732M12D1550 |
| 80 | d110 | 16 | 35,1 | F07 | 17 | 531 | APS080 | 156,5 | 204 | 182 | 100 | 168,0 | 397,0 | 129 | 40,0 | 236,0 | 7,60 | 3P8732M12D1555 |

Single-acting ball valve with fusion spigot connection, FPM, NO

| Nominal[mm] connection[mm] | | max. press. [bar] PN | M(1) +30% [Nm] | Flan- ge | Squa- re | Kv | Pneumatic Actuator | Dimension [mm] and weight [kg] | | | | | | | | | | Order Code |
|-------------------------------|------|-------------------------------|----------------------|-------------|-------------|------|-----------------------|--------------------------------|-----|------|------|-------|-------|-----|------|-------|--------|----------------|
| DN | d | | | | | | | A | B | D | F | G | H | I | t | Z | Weight | |
| 10 | d16 | 16 | 2,6 | F04 | 11 | 7,8 | APS050 | 61,5 | 147 | 55,5 | 33,0 | 81,0 | 208,0 | 94 | 13,0 | 85,5 | 1,75 | 3P8732M12D1610 |
| 15 | d20 | 16 | 2,6 | F04 | 11 | 11,4 | APS050 | 61,5 | 147 | 55,5 | 33,0 | 81,0 | 208,0 | 94 | 14,0 | 95,0 | 1,75 | 3P8732M12D1615 |
| 20 | d25 | 16 | 3,9 | F04 | 11 | 26,4 | APS050 | 69,0 | 147 | 62,0 | 40,0 | 86,5 | 220,5 | 94 | 15,5 | 110,5 | 1,88 | 3P8732M12D1620 |
| 25 | d32 | 16 | 6,5 | F04 | 11 | 39,0 | APS050 | 73,0 | 147 | 70,0 | 43,5 | 89,5 | 227,0 | 94 | 18,0 | 114,0 | 1,95 | 3P8732M12D1625 |
| 32 | d40 | 16 | 7,8 | F05 | 11 | 64,8 | APS050 | 83,0 | 147 | 84,0 | 51,0 | 97,0 | 242,0 | 94 | 20,5 | 100,0 | 2,15 | 3P8732M12D1630 |
| 40 | d50 | 16 | 10,4 | F05 | 14 | 119 | APS060 | 94,0 | 168 | 101 | 56,5 | 104,5 | 269,0 | 108 | 23,5 | 132,0 | 3,23 | 3P8732M12D1635 |
| 50 | d63 | 16 | 13,0 | F05 | 14 | 195 | APS060 | 109,0 | 168 | 115 | 64,5 | 111,5 | 284,0 | 108 | 27,5 | 142,0 | 3,60 | 3P8732M12D1640 |
| 65 | d75 | 16 | 26,0 | F07 | 17 | 312 | APS070 | 131,5 | 184 | 149 | 85,0 | 138,5 | 343,5 | 120 | 31,0 | 185,0 | 5,50 | 3P8732M12D1645 |
| 80 | d90 | 16 | 35,1 | F07 | 17 | 450 | APS080 | 156,5 | 204 | 182 | 100 | 168,0 | 397,0 | 129 | 35,0 | 216,5 | 7,55 | 3P8732M12D1650 |
| 80 | d110 | 16 | 35,1 | F07 | 17 | 531 | APS080 | 156,5 | 204 | 182 | 100 | 168,0 | 397,0 | 129 | 40,0 | 236,0 | 7,60 | 3P8732M12D1655 |