

**P8731M1**

Robuuste, pneumatisch bediende 2-weg 3-delige PP-H kogelkraan voorzien van airpower actuator in dubbelwerkende en enkelwerkende uitvoering.

**DOORLAAT**

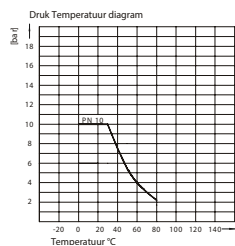
DN10 (3/8") tot DN80 (3")

**AANSLUITING**

- PP las mof volgens DIN ASTM
- PP las spie eind volgens DIN
- Binnendraad BSP NPT
- Flens (DIN, ANSI, Jis)

**BEDRIJFSDRUK**

PN10



**TEMPERATUUR BEREIK**

Maximaal 80°

**MATERIALEN**

Huis: PP  
Kogel: PP  
Kogelafdichting: PTFE  
As: PP  
As afdichting: EPDM / FPM  
O-Ring: EPDM / FPM

**DOORSTROMINGSRICHTING**

Naar keuze.

**MONTAGE**

Raadpleeg aanbeveling voor inbouw industriële afsluiters.

**MEDIUM**

Neutrale gassen en vloeistoffen. Voor toepassingen met agressieve media bestendigheidstabiel raadplegen. Bepaalde media kunnen het draaimoment verhogen.

**BEDIENING (Standaard)**

Met pneumatische actuator in dubbelwerkende of enkelwerkende (Veer sluitend "NC" of veer openend "NO") uitvoering.

**STUURMEDIUM**

Gefilterde lucht volgens PNEUROP/ISO klasse 4, ander stuurmedia op aanvraag

**STUURDRUK**

5,5 bar, andere stuurdrukken op aanvraag

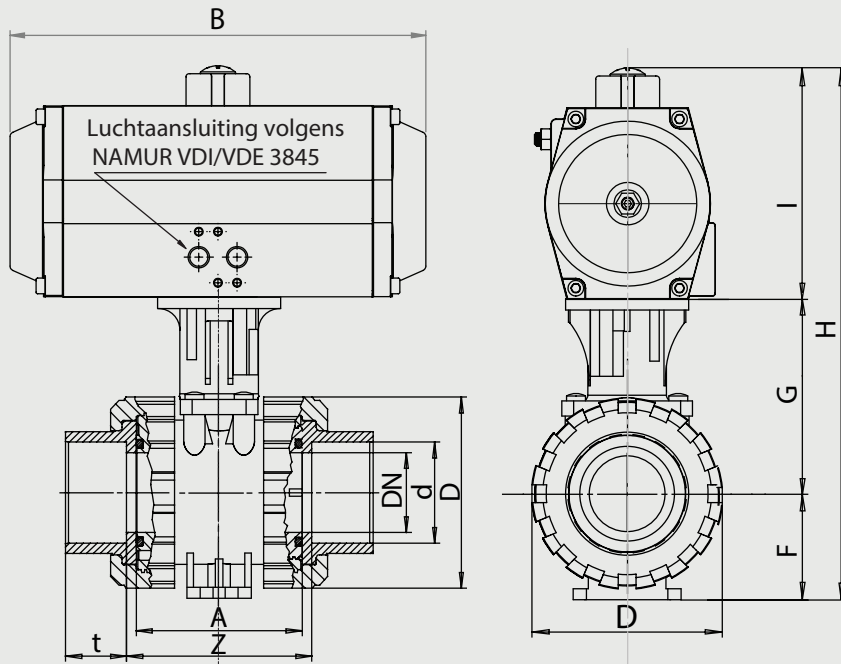
**BIJZONDERHEDEN**

- Radiaal in / uitbouwbaar
- Gecentreerde kogel
- Volle doorlaat
- Zwevende kogel

**OPTIES EN TOEBEHOREN**

Mechanische of inductieve eindstandschakelaars gemonteerd in een signaalbox of los op de actuator.  
PP lasmof, PP lasspie, Flens (ANSI/ASA, DIN, Jis)

Pneumatisch bediende  
2-Weg 3-delige  
PP-H kogelkraan  
**P8731M1**



**Dubbelwerkende kogelkraan met lasmof aansluiting, EPDM**

| Doorlaat[mm]<br>aansluiting[mm] |      | max.<br>druk<br>[bar]<br>PN | M(1)<br>+30%<br>[Nm] | Flens | 4-kant | Kv   | Pneu-<br>matische<br>Actuator | Inbouwmaat [mm] en gewicht [kg] |     |      |      |       |       |     |      |       |         | Bestelcode     |
|---------------------------------|------|-----------------------------|----------------------|-------|--------|------|-------------------------------|---------------------------------|-----|------|------|-------|-------|-----|------|-------|---------|----------------|
| DN                              | d    |                             |                      |       |        |      |                               | A                               | B   | D    | F    | G     | H     | I   | t    | Z     | Gewicht |                |
| 10                              | d16  | 10                          | 2,6                  | F04   | 11     | 7,8  | APD050                        | 61,5                            | 147 | 55,5 | 33,0 | 81,0  | 208,0 | 94  | 14,5 | 69,5  | 1,65    | 3P8731M10P1110 |
| 15                              | d20  | 10                          | 2,6                  | F04   | 11     | 11,4 | APD050                        | 61,5                            | 147 | 55,5 | 33,0 | 81,0  | 208,0 | 94  | 16,0 | 66,5  | 1,65    | 3P8731M10P1115 |
| 20                              | d25  | 10                          | 3,9                  | F04   | 11     | 26,4 | APD050                        | 69,0                            | 147 | 62,0 | 40,0 | 86,5  | 220,5 | 94  | 17,5 | 78,0  | 1,78    | 3P8731M10P1120 |
| 25                              | d32  | 10                          | 6,5                  | F04   | 11     | 39,0 | APD050                        | 73,0                            | 147 | 70,0 | 43,5 | 89,5  | 227,0 | 94  | 19,5 | 84,0  | 1,85    | 3P8731M10P1125 |
| 32                              | d40  | 10                          | 7,8                  | F05   | 11     | 64,8 | APD050                        | 83,0                            | 147 | 84,0 | 51,0 | 97,0  | 242,0 | 94  | 22,0 | 97,0  | 2,05    | 3P8731M10P1130 |
| 40                              | d50  | 10                          | 10,4                 | F05   | 14     | 119  | APD060                        | 94,0                            | 168 | 101  | 56,5 | 104,5 | 269,0 | 108 | 25,5 | 114,0 | 3,03    | 3P8731M10P1135 |
| 50                              | d63  | 10                          | 13,0                 | F05   | 14     | 195  | APD060                        | 109,0                           | 168 | 115  | 64,5 | 111,5 | 284,0 | 108 | 29,0 | 136,5 | 3,40    | 3P8731M10P1140 |
| 65                              | d75  | 10                          | 26,0                 | F07   | 17     | 312  | APD070                        | 131,5                           | 184 | 149  | 85,0 | 138,5 | 343,5 | 120 | 34,5 | 162,0 | 5,20    | 3P8731M10P1145 |
| 80                              | d90  | 10                          | 35,1                 | F07   | 17     | 450  | APD070                        | 156,5                           | 184 | 182  | 100  | 168,0 | 388,0 | 120 | 38,5 | 206,5 | 7,25    | 3P8731M10P1150 |
| 80                              | d110 | 10                          | 35,1                 | F07   | 17     | 531  | APD070                        | 156,5                           | 184 | 182  | 100  | 168,0 | 388,0 | 120 | 42,0 | 207,5 | 7,30    | 3P8731M10P1155 |

Pneumatisch bediende  
2-Weg 3-delige  
PP-H kogelkraan  
**P8731M1**

**Enkelwerkende kogelkraan met lasmof aansluiting, EPDM, NC**

| Doorlaat[mm]<br>aansluiting[mm] |      | max.<br>druk<br>[bar]<br>PN | M(1)<br>+30%<br>[Nm] | Flens | 4-kant | Kv   | Pneu-<br>matische<br>Actuator | Inbouwmaat [mm] en gewicht [kg] |     |      |      |       |       |     |      |       |         | Bestelcode     |
|---------------------------------|------|-----------------------------|----------------------|-------|--------|------|-------------------------------|---------------------------------|-----|------|------|-------|-------|-----|------|-------|---------|----------------|
| DN                              | d    |                             |                      |       |        |      |                               | A                               | B   | D    | F    | G     | H     | I   | t    | Z     | Gewicht |                |
| 10                              | d16  | 10                          | 2,6                  | F04   | 11     | 7,8  | APS050                        | 61,5                            | 147 | 55,5 | 33,0 | 81,0  | 208,0 | 94  | 14,5 | 69,5  | 1,75    | 3P8731M10P1210 |
| 15                              | d20  | 10                          | 2,6                  | F04   | 11     | 11,4 | APS050                        | 61,5                            | 147 | 55,5 | 33,0 | 81,0  | 208,0 | 94  | 16,0 | 66,5  | 1,75    | 3P8731M10P1215 |
| 20                              | d25  | 10                          | 3,9                  | F04   | 11     | 26,4 | APS050                        | 69,0                            | 147 | 62,0 | 40,0 | 86,5  | 220,5 | 94  | 17,5 | 78,0  | 1,88    | 3P8731M10P1220 |
| 25                              | d32  | 10                          | 6,5                  | F04   | 11     | 39,0 | APS050                        | 73,0                            | 147 | 70,0 | 43,5 | 89,5  | 227,0 | 94  | 19,5 | 84,0  | 1,95    | 3P8731M10P1225 |
| 32                              | d40  | 10                          | 7,8                  | F05   | 11     | 64,8 | APS050                        | 83,0                            | 147 | 84,0 | 51,0 | 97,0  | 242,0 | 94  | 22,0 | 97,0  | 2,15    | 3P8731M10P1230 |
| 40                              | d50  | 10                          | 10,4                 | F05   | 14     | 119  | APS060                        | 94,0                            | 168 | 101  | 56,5 | 104,5 | 269,0 | 108 | 25,5 | 114,0 | 3,23    | 3P8731M10P1235 |
| 50                              | d63  | 10                          | 13,0                 | F05   | 14     | 195  | APS060                        | 109,0                           | 168 | 115  | 64,5 | 111,5 | 284,0 | 108 | 29,0 | 136,5 | 3,60    | 3P8731M10P1240 |
| 65                              | d75  | 10                          | 26,0                 | F07   | 17     | 312  | APS070                        | 131,5                           | 184 | 149  | 85,0 | 138,5 | 343,5 | 120 | 34,5 | 162,0 | 5,50    | 3P8731M10P1245 |
| 80                              | d90  | 10                          | 35,1                 | F07   | 17     | 450  | APS080                        | 156,5                           | 204 | 182  | 100  | 168,0 | 397,0 | 129 | 38,5 | 206,5 | 7,55    | 3P8731M10P1250 |
| 80                              | d110 | 10                          | 35,1                 | F07   | 17     | 531  | APS080                        | 156,5                           | 204 | 182  | 100  | 168,0 | 397,0 | 129 | 42,0 | 207,5 | 7,60    | 3P8731M10P1255 |

**Enkelwerkende kogelkraan met lasmof aansluiting, EPDM, NO**

| Doorlaat[mm]<br>aansluiting[mm] |      | max.<br>druk<br>[bar]<br>PN | M(1)<br>+30%<br>[Nm] | Flens | 4-kant | Kv   | Pneu-<br>matische<br>Actuator | Inbouwmaat [mm] en gewicht [kg] |     |      |      |       |       |     |      |       |         | Bestelcode     |
|---------------------------------|------|-----------------------------|----------------------|-------|--------|------|-------------------------------|---------------------------------|-----|------|------|-------|-------|-----|------|-------|---------|----------------|
| DN                              | d    |                             |                      |       |        |      |                               | A                               | B   | D    | F    | G     | H     | I   | t    | Z     | Gewicht |                |
| 10                              | d16  | 10                          | 2,6                  | F04   | 11     | 7,8  | APS050                        | 61,5                            | 147 | 55,5 | 33,0 | 81,0  | 208,0 | 94  | 14,5 | 69,5  | 1,75    | 3P8731M10P1310 |
| 15                              | d20  | 10                          | 2,6                  | F04   | 11     | 11,4 | APS050                        | 61,5                            | 147 | 55,5 | 33,0 | 81,0  | 208,0 | 94  | 16,0 | 66,5  | 1,75    | 3P8731M10P1315 |
| 20                              | d25  | 10                          | 3,9                  | F04   | 11     | 26,4 | APS050                        | 69,0                            | 147 | 62,0 | 40,0 | 86,5  | 220,5 | 94  | 17,5 | 78,0  | 1,88    | 3P8731M10P1320 |
| 25                              | d32  | 10                          | 6,5                  | F04   | 11     | 39,0 | APS050                        | 73,0                            | 147 | 70,0 | 43,5 | 89,5  | 227,0 | 94  | 19,5 | 84,0  | 1,95    | 3P8731M10P1325 |
| 32                              | d40  | 10                          | 7,8                  | F05   | 11     | 64,8 | APS050                        | 83,0                            | 147 | 84,0 | 51,0 | 97,0  | 242,0 | 94  | 22,0 | 97,0  | 2,15    | 3P8731M10P1330 |
| 40                              | d50  | 10                          | 10,4                 | F05   | 14     | 119  | APS060                        | 94,0                            | 168 | 101  | 56,5 | 104,5 | 269,0 | 108 | 25,5 | 114,0 | 3,23    | 3P8731M10P1335 |
| 50                              | d63  | 10                          | 13,0                 | F05   | 14     | 195  | APS060                        | 109,0                           | 168 | 115  | 64,5 | 111,5 | 284,0 | 108 | 29,0 | 136,5 | 3,60    | 3P8731M10P1340 |
| 65                              | d75  | 10                          | 26,0                 | F07   | 17     | 312  | APS070                        | 131,5                           | 184 | 149  | 85,0 | 138,5 | 343,5 | 120 | 34,5 | 162,0 | 5,50    | 3P8731M10P1345 |
| 80                              | d90  | 10                          | 35,1                 | F07   | 17     | 450  | APS080                        | 156,5                           | 204 | 182  | 100  | 168,0 | 397,0 | 129 | 38,5 | 206,5 | 7,55    | 3P8731M10P1350 |
| 80                              | d110 | 10                          | 35,1                 | F07   | 17     | 531  | APS080                        | 156,5                           | 204 | 182  | 100  | 168,0 | 397,0 | 129 | 42,0 | 207,5 | 7,60    | 3P8731M10P1355 |

**Dubbelwerkende kogelkraan met lasmof aansluiting, FPM**

| Doorlaat[mm]<br>aansluiting[mm] |      | max.<br>druk<br>[bar]<br>PN | M(1)<br>+30%<br>[Nm] | Flens | 4-kant | Kv   | Pneu-<br>matische<br>Actuator | Inbouwmaat [mm] en gewicht [kg] |     |      |      |       |       |     |      |       |         | Bestelcode     |
|---------------------------------|------|-----------------------------|----------------------|-------|--------|------|-------------------------------|---------------------------------|-----|------|------|-------|-------|-----|------|-------|---------|----------------|
| DN                              | d    |                             |                      |       |        |      |                               | A                               | B   | D    | F    | G     | H     | I   | t    | Z     | Gewicht |                |
| 10                              | d16  | 10                          | 2,6                  | F04   | 11     | 7,8  | APD050                        | 61,5                            | 147 | 55,5 | 33,0 | 81,0  | 208,0 | 94  | 14,5 | 69,5  | 1,65    | 3P8731M12P1110 |
| 15                              | d20  | 10                          | 2,6                  | F04   | 11     | 11,4 | APD050                        | 61,5                            | 147 | 55,5 | 33,0 | 81,0  | 208,0 | 94  | 16,0 | 66,5  | 1,65    | 3P8731M12P1115 |
| 20                              | d25  | 10                          | 3,9                  | F04   | 11     | 26,4 | APD050                        | 69,0                            | 147 | 62,0 | 40,0 | 86,5  | 220,5 | 94  | 17,5 | 78,0  | 1,78    | 3P8731M12P1120 |
| 25                              | d32  | 10                          | 6,5                  | F04   | 11     | 39,0 | APD050                        | 73,0                            | 147 | 70,0 | 43,5 | 89,5  | 227,0 | 94  | 19,5 | 84,0  | 1,85    | 3P8731M12P1125 |
| 32                              | d40  | 10                          | 7,8                  | F05   | 11     | 64,8 | APD050                        | 83,0                            | 147 | 84,0 | 51,0 | 97,0  | 242,0 | 94  | 22,0 | 97,0  | 2,05    | 3P8731M12P1130 |
| 40                              | d50  | 10                          | 10,4                 | F05   | 14     | 119  | APD060                        | 94,0                            | 168 | 101  | 56,5 | 104,5 | 269,0 | 108 | 25,5 | 114,0 | 3,03    | 3P8731M12P1135 |
| 50                              | d63  | 10                          | 13,0                 | F05   | 14     | 195  | APD060                        | 109,0                           | 168 | 115  | 64,5 | 111,5 | 284,0 | 108 | 29,0 | 136,5 | 3,40    | 3P8731M12P1140 |
| 65                              | d75  | 10                          | 26,0                 | F07   | 17     | 312  | APD070                        | 131,5                           | 184 | 149  | 85,0 | 138,5 | 343,5 | 120 | 34,5 | 162,0 | 5,20    | 3P8731M12P1145 |
| 80                              | d90  | 10                          | 35,1                 | F07   | 17     | 450  | APD070                        | 156,5                           | 184 | 182  | 100  | 168,0 | 388,0 | 120 | 38,5 | 206,5 | 7,25    | 3P8731M12P1150 |
| 80                              | d110 | 10                          | 35,1                 | F07   | 17     | 531  | APD070                        | 156,5                           | 184 | 182  | 100  | 168,0 | 388,0 | 120 | 42,0 | 207,5 | 7,30    | 3P8731M12P1155 |

### Enkelwerkende kogelkraan met lasmof aansluiting, FPM, NC

| Doorlaat[mm]<br>aansluiting[mm] |      | max.<br>druk<br>[bar]<br>PN | M(1)<br>+30%<br>[Nm] | Flens | 4-kant | Kv   | Pneu-<br>matische<br>Actuator | Inbouwmaat [mm] en gewicht [kg] |     |      |      |       |       |     |      |       |         | Bestelcode     |
|---------------------------------|------|-----------------------------|----------------------|-------|--------|------|-------------------------------|---------------------------------|-----|------|------|-------|-------|-----|------|-------|---------|----------------|
| DN                              | d    |                             |                      |       |        |      |                               | A                               | B   | D    | F    | G     | H     | I   | t    | Z     | Gewicht |                |
| 10                              | d16  | 10                          | 2,6                  | F04   | 11     | 7,8  | APS050                        | 61,5                            | 147 | 55,5 | 33,0 | 81,0  | 208,0 | 94  | 14,5 | 69,5  | 1,75    | 3P8731M12P1210 |
| 15                              | d20  | 10                          | 2,6                  | F04   | 11     | 11,4 | APS050                        | 61,5                            | 147 | 55,5 | 33,0 | 81,0  | 208,0 | 94  | 16,0 | 66,5  | 1,75    | 3P8731M12P1215 |
| 20                              | d25  | 10                          | 3,9                  | F04   | 11     | 26,4 | APS050                        | 69,0                            | 147 | 62,0 | 40,0 | 86,5  | 220,5 | 94  | 17,5 | 78,0  | 1,88    | 3P8731M12P1220 |
| 25                              | d32  | 10                          | 6,5                  | F04   | 11     | 39,0 | APS050                        | 73,0                            | 147 | 70,0 | 43,5 | 89,5  | 227,0 | 94  | 19,5 | 84,0  | 1,95    | 3P8731M12P1225 |
| 32                              | d40  | 10                          | 7,8                  | F05   | 11     | 64,8 | APS050                        | 83,0                            | 147 | 84,0 | 51,0 | 97,0  | 242,0 | 94  | 22,0 | 97,0  | 2,15    | 3P8731M12P1230 |
| 40                              | d50  | 10                          | 10,4                 | F05   | 14     | 119  | APS060                        | 94,0                            | 168 | 101  | 56,5 | 104,5 | 269,0 | 108 | 25,5 | 114,0 | 3,23    | 3P8731M12P1235 |
| 50                              | d63  | 10                          | 13,0                 | F05   | 14     | 195  | APS060                        | 109,0                           | 168 | 115  | 64,5 | 111,5 | 284,0 | 108 | 29,0 | 136,5 | 3,60    | 3P8731M12P1240 |
| 65                              | d75  | 10                          | 26,0                 | F07   | 17     | 312  | APS070                        | 131,5                           | 184 | 149  | 85,0 | 138,5 | 343,5 | 120 | 34,5 | 162,0 | 5,50    | 3P8731M12P1245 |
| 80                              | d90  | 10                          | 35,1                 | F07   | 17     | 450  | APS080                        | 156,5                           | 204 | 182  | 100  | 168,0 | 397,0 | 129 | 38,5 | 206,5 | 7,55    | 3P8731M12P1250 |
| 80                              | d110 | 10                          | 35,1                 | F07   | 17     | 531  | APS080                        | 156,5                           | 204 | 182  | 100  | 168,0 | 397,0 | 129 | 42,0 | 207,5 | 7,60    | 3P8731M12P1255 |

### Enkelwerkende kogelkraan met lasmof aansluiting, FPM, NO

| Doorlaat[mm]<br>aansluiting[mm] |      | max.<br>druk<br>[bar]<br>PN | M(1)<br>+30%<br>[Nm] | Flens | 4-kant | Kv   | Pneu-<br>matische<br>Actuator | Inbouwmaat [mm] en gewicht [kg] |     |      |      |       |       |     |      |       |         | Bestelcode     |
|---------------------------------|------|-----------------------------|----------------------|-------|--------|------|-------------------------------|---------------------------------|-----|------|------|-------|-------|-----|------|-------|---------|----------------|
| DN                              | d    |                             |                      |       |        |      |                               | A                               | B   | D    | F    | G     | H     | I   | t    | Z     | Gewicht |                |
| 10                              | d16  | 10                          | 2,6                  | F04   | 11     | 7,8  | APS050                        | 61,5                            | 147 | 55,5 | 33,0 | 81,0  | 208,0 | 94  | 14,5 | 69,5  | 1,75    | 3P8731M12P1310 |
| 15                              | d20  | 10                          | 2,6                  | F04   | 11     | 11,4 | APS050                        | 61,5                            | 147 | 55,5 | 33,0 | 81,0  | 208,0 | 94  | 16,0 | 66,5  | 1,75    | 3P8731M12P1315 |
| 20                              | d25  | 10                          | 3,9                  | F04   | 11     | 26,4 | APS050                        | 69,0                            | 147 | 62,0 | 40,0 | 86,5  | 220,5 | 94  | 17,5 | 78,0  | 1,88    | 3P8731M12P1320 |
| 25                              | d32  | 10                          | 6,5                  | F04   | 11     | 39,0 | APS050                        | 73,0                            | 147 | 70,0 | 43,5 | 89,5  | 227,0 | 94  | 19,5 | 84,0  | 1,95    | 3P8731M12P1325 |
| 32                              | d40  | 10                          | 7,8                  | F05   | 11     | 64,8 | APS050                        | 83,0                            | 147 | 84,0 | 51,0 | 97,0  | 242,0 | 94  | 22,0 | 97,0  | 2,15    | 3P8731M12P1330 |
| 40                              | d50  | 10                          | 10,4                 | F05   | 14     | 119  | APS060                        | 94,0                            | 168 | 101  | 56,5 | 104,5 | 269,0 | 108 | 25,5 | 114,0 | 3,23    | 3P8731M12P1335 |
| 50                              | d63  | 10                          | 13,0                 | F05   | 14     | 195  | APS060                        | 109,0                           | 168 | 115  | 64,5 | 111,5 | 284,0 | 108 | 29,0 | 136,5 | 3,60    | 3P8731M12P1340 |
| 65                              | d75  | 10                          | 26,0                 | F07   | 17     | 312  | APS070                        | 131,5                           | 184 | 149  | 85,0 | 138,5 | 343,5 | 120 | 34,5 | 162,0 | 5,50    | 3P8731M12P1345 |
| 80                              | d90  | 10                          | 35,1                 | F07   | 17     | 450  | APS080                        | 156,5                           | 204 | 182  | 100  | 168,0 | 397,0 | 129 | 38,5 | 206,5 | 7,55    | 3P8731M12P1350 |
| 80                              | d110 | 10                          | 35,1                 | F07   | 17     | 531  | APS080                        | 156,5                           | 204 | 182  | 100  | 168,0 | 397,0 | 129 | 42,0 | 207,5 | 7,60    | 3P8731M12P1355 |

### Dubbelwerkende kogelkraan met lasspie aansluiting, EPDM

| Doorlaat[mm]<br>aansluiting[mm] |      | max.<br>druk<br>[bar]<br>PN | M(1)<br>+30%<br>[Nm] | Flens | 4-kant | Kv   | Pneu-<br>matische<br>Actuator | Inbouwmaat [mm] en gewicht [kg] |     |      |      |       |       |     |      |       |         | Bestelcode     |
|---------------------------------|------|-----------------------------|----------------------|-------|--------|------|-------------------------------|---------------------------------|-----|------|------|-------|-------|-----|------|-------|---------|----------------|
| DN                              | d    |                             |                      |       |        |      |                               | A                               | B   | D    | F    | G     | H     | I   | t    | Z     | Gewicht |                |
| 10                              | d16  | 10                          | 2,6                  | F04   | 11     | 7,8  | APD050                        | 61,5                            | 147 | 55,5 | 33,0 | 81,0  | 208,0 | 94  | 13,0 | 85,5  | 1,65    | 3P8731M10P1410 |
| 15                              | d20  | 10                          | 2,6                  | F04   | 11     | 11,4 | APD050                        | 61,5                            | 147 | 55,5 | 33,0 | 81,0  | 208,0 | 94  | 14,0 | 95,0  | 1,65    | 3P8731M10P1415 |
| 20                              | d25  | 10                          | 3,9                  | F04   | 11     | 26,4 | APD050                        | 69,0                            | 147 | 62,0 | 40,0 | 86,5  | 220,5 | 94  | 15,5 | 110,5 | 1,78    | 3P8731M10P1420 |
| 25                              | d32  | 10                          | 6,5                  | F04   | 11     | 39,0 | APD050                        | 73,0                            | 147 | 70,0 | 43,5 | 89,5  | 227,0 | 94  | 18,0 | 114,0 | 1,85    | 3P8731M10P1425 |
| 32                              | d40  | 10                          | 7,8                  | F05   | 11     | 64,8 | APD050                        | 83,0                            | 147 | 84,0 | 51,0 | 97,0  | 242,0 | 94  | 20,5 | 100,0 | 2,05    | 3P8731M10P1430 |
| 40                              | d50  | 10                          | 10,4                 | F05   | 14     | 119  | APD060                        | 94,0                            | 168 | 101  | 56,5 | 104,5 | 269,0 | 108 | 23,5 | 132,0 | 3,03    | 3P8731M10P1435 |
| 50                              | d63  | 10                          | 13,0                 | F05   | 14     | 195  | APD060                        | 109,0                           | 168 | 115  | 64,5 | 111,5 | 284,0 | 108 | 27,5 | 142,0 | 3,40    | 3P8731M10P1440 |
| 65                              | d75  | 10                          | 26,0                 | F07   | 17     | 312  | APD070                        | 131,5                           | 184 | 149  | 85,0 | 138,5 | 343,5 | 120 | 31,0 | 185,0 | 5,20    | 3P8731M10P1445 |
| 80                              | d90  | 10                          | 35,1                 | F07   | 17     | 450  | APD070                        | 156,5                           | 184 | 182  | 100  | 168,0 | 388,0 | 120 | 35,0 | 216,5 | 7,25    | 3P8731M10P1450 |
| 80                              | d110 | 10                          | 35,1                 | F07   | 17     | 531  | APD070                        | 156,5                           | 184 | 182  | 100  | 168,0 | 388,0 | 120 | 40,0 | 236,0 | 7,30    | 3P8731M10P1455 |

### Enkelwerkende kogelkraan met lasspie aansluiting, EPDM, NC

| Doorlaat[mm]<br>aansluiting[mm] |      | max.<br>druk<br>[bar] | M(1)<br>+30%<br>[Nm] | Flens | 4-kant | Kv   | Pneu-<br>matische<br>Actuator | Inbouwmaat [mm] en gewicht [kg] |     |      |      |       |       |     |      |       | Bestelcode |                |
|---------------------------------|------|-----------------------|----------------------|-------|--------|------|-------------------------------|---------------------------------|-----|------|------|-------|-------|-----|------|-------|------------|----------------|
| DN                              | d    | PN                    |                      |       |        |      |                               | A                               | B   | D    | F    | G     | H     | I   | t    | Z     | Gewicht    |                |
| 10                              | d16  | 10                    | 2,6                  | F04   | 11     | 7,8  | APS050                        | 61,5                            | 147 | 55,5 | 33,0 | 81,0  | 208,0 | 94  | 13,0 | 85,5  | 1,75       | 3P8731M10P1510 |
| 15                              | d20  | 10                    | 2,6                  | F04   | 11     | 11,4 | APS050                        | 61,5                            | 147 | 55,5 | 33,0 | 81,0  | 208,0 | 94  | 14,0 | 95,0  | 1,75       | 3P8731M10P1515 |
| 20                              | d25  | 10                    | 3,9                  | F04   | 11     | 26,4 | APS050                        | 69,0                            | 147 | 62,0 | 40,0 | 86,5  | 220,5 | 94  | 15,5 | 110,5 | 1,88       | 3P8731M10P1520 |
| 25                              | d32  | 10                    | 6,5                  | F04   | 11     | 39,0 | APS050                        | 73,0                            | 147 | 70,0 | 43,5 | 89,5  | 227,0 | 94  | 18,0 | 114,0 | 1,95       | 3P8731M10P1525 |
| 32                              | d40  | 10                    | 7,8                  | F05   | 11     | 64,8 | APS050                        | 83,0                            | 147 | 84,0 | 51,0 | 97,0  | 242,0 | 94  | 20,5 | 100,0 | 2,15       | 3P8731M10P1530 |
| 40                              | d50  | 10                    | 10,4                 | F05   | 14     | 119  | APS060                        | 94,0                            | 168 | 101  | 56,5 | 104,5 | 269,0 | 108 | 23,5 | 132,0 | 3,23       | 3P8731M10P1535 |
| 50                              | d63  | 10                    | 13,0                 | F05   | 14     | 195  | APS060                        | 109,0                           | 168 | 115  | 64,5 | 111,5 | 284,0 | 108 | 27,5 | 142,0 | 3,60       | 3P8731M10P1540 |
| 65                              | d75  | 10                    | 26,0                 | F07   | 17     | 312  | APS070                        | 131,5                           | 184 | 149  | 85,0 | 138,5 | 343,5 | 120 | 31,0 | 185,0 | 5,50       | 3P8731M10P1545 |
| 80                              | d90  | 10                    | 35,1                 | F07   | 17     | 450  | APS080                        | 156,5                           | 204 | 182  | 100  | 168,0 | 397,0 | 129 | 35,0 | 216,5 | 7,55       | 3P8731M10P1550 |
| 80                              | d110 | 10                    | 35,1                 | F07   | 17     | 531  | APS080                        | 156,5                           | 204 | 182  | 100  | 168,0 | 397,0 | 129 | 40,0 | 236,0 | 7,60       | 3P8731M10P1555 |

### Enkelwerkende kogelkraan met lasspie aansluiting, EPDM, NO

| Doorlaat[mm]<br>aansluiting[mm] |      | max.<br>druk<br>[bar] | M(1)<br>+30%<br>[Nm] | Flens | 4-kant | Kv   | Pneu-<br>matische<br>Actuator | Inbouwmaat [mm] en gewicht [kg] |     |      |      |       |       |     |      |       | Bestelcode |                |
|---------------------------------|------|-----------------------|----------------------|-------|--------|------|-------------------------------|---------------------------------|-----|------|------|-------|-------|-----|------|-------|------------|----------------|
| DN                              | d    | PN                    |                      |       |        |      |                               | A                               | B   | D    | F    | G     | H     | I   | t    | Z     | Gewicht    |                |
| 10                              | d16  | 10                    | 2,6                  | F04   | 11     | 7,8  | APS050                        | 61,5                            | 147 | 55,5 | 33,0 | 81,0  | 208,0 | 94  | 13,0 | 85,5  | 1,75       | 3P8731M10P1610 |
| 15                              | d20  | 10                    | 2,6                  | F04   | 11     | 11,4 | APS050                        | 61,5                            | 147 | 55,5 | 33,0 | 81,0  | 208,0 | 94  | 14,0 | 95,0  | 1,75       | 3P8731M10P1615 |
| 20                              | d25  | 10                    | 3,9                  | F04   | 11     | 26,4 | APS050                        | 69,0                            | 147 | 62,0 | 40,0 | 86,5  | 220,5 | 94  | 15,5 | 110,5 | 1,88       | 3P8731M10P1620 |
| 25                              | d32  | 10                    | 6,5                  | F04   | 11     | 39,0 | APS050                        | 73,0                            | 147 | 70,0 | 43,5 | 89,5  | 227,0 | 94  | 18,0 | 114,0 | 1,95       | 3P8731M10P1625 |
| 32                              | d40  | 10                    | 7,8                  | F05   | 11     | 64,8 | APS050                        | 83,0                            | 147 | 84,0 | 51,0 | 97,0  | 242,0 | 94  | 20,5 | 100,0 | 2,15       | 3P8731M10P1630 |
| 40                              | d50  | 10                    | 10,4                 | F05   | 14     | 119  | APS060                        | 94,0                            | 168 | 101  | 56,5 | 104,5 | 269,0 | 108 | 23,5 | 132,0 | 3,23       | 3P8731M10P1635 |
| 50                              | d63  | 10                    | 13,0                 | F05   | 14     | 195  | APS060                        | 109,0                           | 168 | 115  | 64,5 | 111,5 | 284,0 | 108 | 27,5 | 142,0 | 3,60       | 3P8731M10P1640 |
| 65                              | d75  | 10                    | 26,0                 | F07   | 17     | 312  | APS070                        | 131,5                           | 184 | 149  | 85,0 | 138,5 | 343,5 | 120 | 31,0 | 185,0 | 5,50       | 3P8731M10P1645 |
| 80                              | d90  | 10                    | 35,1                 | F07   | 17     | 450  | APS080                        | 156,5                           | 204 | 182  | 100  | 168,0 | 397,0 | 129 | 35,0 | 216,5 | 7,55       | 3P8731M10P1650 |
| 80                              | d110 | 10                    | 35,1                 | F07   | 17     | 531  | APS080                        | 156,5                           | 204 | 182  | 100  | 168,0 | 397,0 | 129 | 40,0 | 236,0 | 7,60       | 3P8731M10P1655 |

### Dubbelwerkende kogelkraan met lasspie aansluiting, FPM

| Doorlaat[mm]<br>aansluiting[mm] |      | max.<br>druk<br>[bar] | M(1)<br>+30%<br>[Nm] | Flens | 4-kant | Kv   | Pneu-<br>matische<br>Actuator | Inbouwmaat [mm] en gewicht [kg] |     |      |      |       |       |     |      |       | Bestelcode |                |
|---------------------------------|------|-----------------------|----------------------|-------|--------|------|-------------------------------|---------------------------------|-----|------|------|-------|-------|-----|------|-------|------------|----------------|
| DN                              | d    | PN                    |                      |       |        |      |                               | A                               | B   | D    | F    | G     | H     | I   | t    | Z     | Gewicht    |                |
| 10                              | d16  | 10                    | 2,6                  | F04   | 11     | 7,8  | APD050                        | 61,5                            | 147 | 55,5 | 33,0 | 81,0  | 208,0 | 94  | 13,0 | 85,5  | 1,65       | 3P8731M12P1410 |
| 15                              | d20  | 10                    | 2,6                  | F04   | 11     | 11,4 | APD050                        | 61,5                            | 147 | 55,5 | 33,0 | 81,0  | 208,0 | 94  | 14,0 | 95,0  | 1,65       | 3P8731M12P1415 |
| 20                              | d25  | 10                    | 3,9                  | F04   | 11     | 26,4 | APD050                        | 69,0                            | 147 | 62,0 | 40,0 | 86,5  | 220,5 | 94  | 15,5 | 110,5 | 1,78       | 3P8731M12P1420 |
| 25                              | d32  | 10                    | 6,5                  | F04   | 11     | 39,0 | APD050                        | 73,0                            | 147 | 70,0 | 43,5 | 89,5  | 227,0 | 94  | 18,0 | 114,0 | 1,85       | 3P8731M12P1425 |
| 32                              | d40  | 10                    | 7,8                  | F05   | 11     | 64,8 | APD050                        | 83,0                            | 147 | 84,0 | 51,0 | 97,0  | 242,0 | 94  | 20,5 | 100,0 | 2,05       | 3P8731M12P1430 |
| 40                              | d50  | 10                    | 10,4                 | F05   | 14     | 119  | APD060                        | 94,0                            | 168 | 101  | 56,5 | 104,5 | 269,0 | 108 | 23,5 | 132,0 | 3,03       | 3P8731M12P1435 |
| 50                              | d63  | 10                    | 13,0                 | F05   | 14     | 195  | APD060                        | 109,0                           | 168 | 115  | 64,5 | 111,5 | 284,0 | 108 | 27,5 | 142,0 | 3,40       | 3P8731M12P1440 |
| 65                              | d75  | 10                    | 26,0                 | F07   | 17     | 312  | APD070                        | 131,5                           | 184 | 149  | 85,0 | 138,5 | 343,5 | 120 | 31,0 | 185,0 | 5,20       | 3P8731M12P1445 |
| 80                              | d90  | 10                    | 35,1                 | F07   | 17     | 450  | APD070                        | 156,5                           | 184 | 182  | 100  | 168,0 | 388,0 | 120 | 35,0 | 216,5 | 7,25       | 3P8731M12P1450 |
| 80                              | d110 | 10                    | 35,1                 | F07   | 17     | 531  | APD070                        | 156,5                           | 184 | 182  | 100  | 168,0 | 388,0 | 120 | 40,0 | 236,0 | 7,30       | 3P8731M12P1455 |

**Pneumatisch bediende  
2-Weg 3-delige  
PP-H kogelkraan  
P8731M1**

**Enkelwerkende kogelkraan met lasspie aansluiting, FPM, NC**

| Doorlaat[mm]<br>aansluiting[mm] |      | max.<br>druk<br>[bar]<br>PN | M(1)<br>+30%<br>[Nm] | Flens | 4-kant | Kv   | Pneu-<br>matische<br>Actuator | Inbouwmaat [mm] en gewicht [kg] |     |      |      |       |       |     |      |       |         | Bestelcode     |
|---------------------------------|------|-----------------------------|----------------------|-------|--------|------|-------------------------------|---------------------------------|-----|------|------|-------|-------|-----|------|-------|---------|----------------|
| DN                              | d    |                             |                      |       |        |      |                               | A                               | B   | D    | F    | G     | H     | I   | t    | Z     | Gewicht |                |
| 10                              | d16  | 10                          | 2,6                  | F04   | 11     | 7,8  | APS050                        | 61,5                            | 147 | 55,5 | 33,0 | 81,0  | 208,0 | 94  | 13,0 | 85,5  | 1,75    | 3P8731M12P1510 |
| 15                              | d20  | 10                          | 2,6                  | F04   | 11     | 11,4 | APS050                        | 61,5                            | 147 | 55,5 | 33,0 | 81,0  | 208,0 | 94  | 14,0 | 95,0  | 1,75    | 3P8731M12P1515 |
| 20                              | d25  | 10                          | 3,9                  | F04   | 11     | 26,4 | APS050                        | 69,0                            | 147 | 62,0 | 40,0 | 86,5  | 220,5 | 94  | 15,5 | 110,5 | 1,88    | 3P8731M12P1520 |
| 25                              | d32  | 10                          | 6,5                  | F04   | 11     | 39,0 | APS050                        | 73,0                            | 147 | 70,0 | 43,5 | 89,5  | 227,0 | 94  | 18,0 | 114,0 | 1,95    | 3P8731M12P1525 |
| 32                              | d40  | 10                          | 7,8                  | F05   | 11     | 64,8 | APS050                        | 83,0                            | 147 | 84,0 | 51,0 | 97,0  | 242,0 | 94  | 20,5 | 100,0 | 2,15    | 3P8731M12P1530 |
| 40                              | d50  | 10                          | 10,4                 | F05   | 14     | 119  | APS060                        | 94,0                            | 168 | 101  | 56,5 | 104,5 | 269,0 | 108 | 23,5 | 132,0 | 3,23    | 3P8731M12P1535 |
| 50                              | d63  | 10                          | 13,0                 | F05   | 14     | 195  | APS060                        | 109,0                           | 168 | 115  | 64,5 | 111,5 | 284,0 | 108 | 27,5 | 142,0 | 3,60    | 3P8731M12P1540 |
| 65                              | d75  | 10                          | 26,0                 | F07   | 17     | 312  | APS070                        | 131,5                           | 184 | 149  | 85,0 | 138,5 | 343,5 | 120 | 31,0 | 185,0 | 5,50    | 3P8731M12P1545 |
| 80                              | d90  | 10                          | 35,1                 | F07   | 17     | 450  | APS080                        | 156,5                           | 204 | 182  | 100  | 168,0 | 397,0 | 129 | 35,0 | 216,5 | 7,55    | 3P8731M12P1550 |
| 80                              | d110 | 10                          | 35,1                 | F07   | 17     | 531  | APS080                        | 156,5                           | 204 | 182  | 100  | 168,0 | 397,0 | 129 | 40,0 | 236,0 | 7,60    | 3P8731M12P1555 |

**Enkelwerkende kogelkraan met lasspie aansluiting, FPM, NO**

| Doorlaat[mm]<br>aansluiting[mm] |      | max.<br>druk<br>[bar]<br>PN | M(1)<br>+30%<br>[Nm] | Flens | 4-kant | Kv   | Pneu-<br>matische<br>Actuator | Inbouwmaat [mm] en gewicht [kg] |     |      |      |       |       |     |      |       |         | Bestelcode     |
|---------------------------------|------|-----------------------------|----------------------|-------|--------|------|-------------------------------|---------------------------------|-----|------|------|-------|-------|-----|------|-------|---------|----------------|
| DN                              | d    |                             |                      |       |        |      |                               | A                               | B   | D    | F    | G     | H     | I   | t    | Z     | Gewicht |                |
| 10                              | d16  | 10                          | 2,6                  | F04   | 11     | 7,8  | APS050                        | 61,5                            | 147 | 55,5 | 33,0 | 81,0  | 208,0 | 94  | 13,0 | 85,5  | 1,75    | 3P8731M12P1610 |
| 15                              | d20  | 10                          | 2,6                  | F04   | 11     | 11,4 | APS050                        | 61,5                            | 147 | 55,5 | 33,0 | 81,0  | 208,0 | 94  | 14,0 | 95,0  | 1,75    | 3P8731M12P1615 |
| 20                              | d25  | 10                          | 3,9                  | F04   | 11     | 26,4 | APS050                        | 69,0                            | 147 | 62,0 | 40,0 | 86,5  | 220,5 | 94  | 15,5 | 110,5 | 1,88    | 3P8731M12P1620 |
| 25                              | d32  | 10                          | 6,5                  | F04   | 11     | 39,0 | APS050                        | 73,0                            | 147 | 70,0 | 43,5 | 89,5  | 227,0 | 94  | 18,0 | 114,0 | 1,95    | 3P8731M12P1625 |
| 32                              | d40  | 10                          | 7,8                  | F05   | 11     | 64,8 | APS050                        | 83,0                            | 147 | 84,0 | 51,0 | 97,0  | 242,0 | 94  | 20,5 | 100,0 | 2,15    | 3P8731M12P1630 |
| 40                              | d50  | 10                          | 10,4                 | F05   | 14     | 119  | APS060                        | 94,0                            | 168 | 101  | 56,5 | 104,5 | 269,0 | 108 | 23,5 | 132,0 | 3,23    | 3P8731M12P1635 |
| 50                              | d63  | 10                          | 13,0                 | F05   | 14     | 195  | APS060                        | 109,0                           | 168 | 115  | 64,5 | 111,5 | 284,0 | 108 | 27,5 | 142,0 | 3,60    | 3P8731M12P1640 |
| 65                              | d75  | 10                          | 26,0                 | F07   | 17     | 312  | APS070                        | 131,5                           | 184 | 149  | 85,0 | 138,5 | 343,5 | 120 | 31,0 | 185,0 | 5,50    | 3P8731M12P1645 |
| 80                              | d90  | 10                          | 35,1                 | F07   | 17     | 450  | APS080                        | 156,5                           | 204 | 182  | 100  | 168,0 | 397,0 | 129 | 35,0 | 216,5 | 7,55    | 3P8731M12P1650 |
| 80                              | d110 | 10                          | 35,1                 | F07   | 17     | 531  | APS080                        | 156,5                           | 204 | 182  | 100  | 168,0 | 397,0 | 129 | 40,0 | 236,0 | 7,60    | 3P8731M12P1655 |