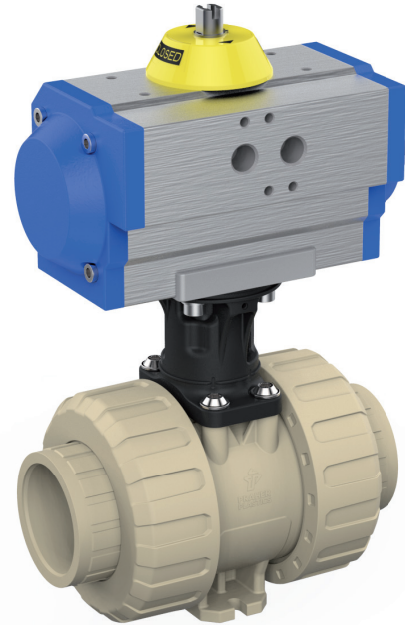


**Pneumatically operated
2-Way 3-piece
PP-H ball valve**

P8731M1



P8731M1

Solid, pneumatically operated 2-Way 3-piece PP-H ball valve with air-power actuator in double acting and single acting version.

SIZE

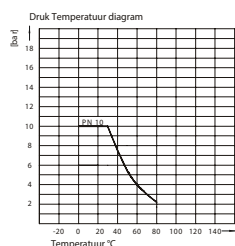
DN10 (3/8") to DN80 (3")

CONNECTION

- PP fusion socket according to DIN ASTM
- PP fusion spigot according to DIN
- Female thread BSP NPT
- Flange according to ANSI, DIN, Jis

NOMINAL PRESSURE

PN10



TEMPERATURE RANGE

Maximum 80°

MATERIALS

Body: PP-H
Ball: PP-H
Ball seal: PTFE
Shaft: PP-H
Shaft sealing: EPDM / FPM
O-Ring: EPDM / FPM

FLOW DIRECTION

Random

MOUNTING POSITION

See mounting reference for industrial valves.

MEDIUM

Neutral gases and liquids. For applications with aggressive media consult resistance table. Certain media may increase the torque.

OPERATION (Standard)

With pneumatic actuator double acting or single acting (spring closing "NC" or spring opening "NO") version.

CONTROL MEDIUM

Compressed air or inert gases according PNEUROP/ISO class 4, other control medium on request.

CONTROL PRESSURE

5,5 bar, other control pressure on request.

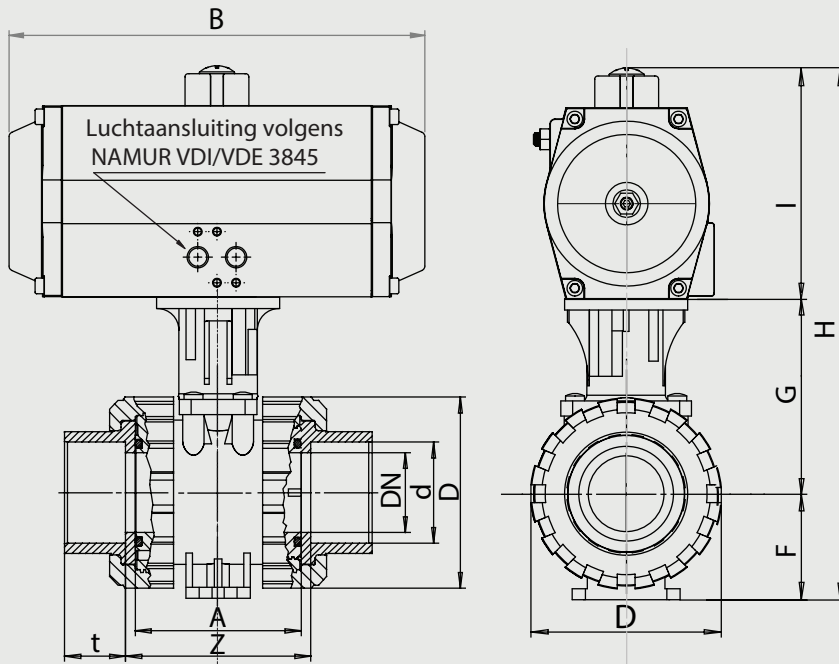
SOME ADVANTAGES

- Radially / removal
- Centered ball
- Full bore
- Floating ball

OPTIONS AND ACCESSORIES

Mechanical or inductive end position switches mounted in a signal box or loose on the actuator.

PP fusion socket, PP fusion spigot, Flange (ANSI / ASA, DIN, Jis)



Double-acting ball valve with fusion socket connection, EPDM

Nominal[mm] connection[mm]		max. press. [bar] PN	M(1) +30% [Nm]	Flan- ge	Squa- re	Kv	Pneumatic Actuator	Dimension [mm] and weight [kg]										Order Code
DN	d							A	B	D	F	G	H	I	t	Z	Weight	
10	d16	10	2,6	F04	11	7,8	APD050	61,5	147	55,5	33,0	81,0	208,0	94	14,5	69,5	1,65	3P8731M10P1110
15	d20	10	2,6	F04	11	11,4	APD050	61,5	147	55,5	33,0	81,0	208,0	94	16,0	66,5	1,65	3P8731M10P1115
20	d25	10	3,9	F04	11	26,4	APD050	69,0	147	62,0	40,0	86,5	220,5	94	17,5	78,0	1,78	3P8731M10P1120
25	d32	10	6,5	F04	11	39,0	APD050	73,0	147	70,0	43,5	89,5	227,0	94	19,5	84,0	1,85	3P8731M10P1125
32	d40	10	7,8	F05	11	64,8	APD050	83,0	147	84,0	51,0	97,0	242,0	94	22,0	97,0	2,05	3P8731M10P1130
40	d50	10	10,4	F05	14	119	APD060	94,0	168	101	56,5	104,5	269,0	108	25,5	114,0	3,03	3P8731M10P1135
50	d63	10	13,0	F05	14	195	APD060	109,0	168	115	64,5	111,5	284,0	108	29,0	136,5	3,40	3P8731M10P1140
65	d75	10	26,0	F07	17	312	APD070	131,5	184	149	85,0	138,5	343,5	120	34,5	162,0	5,20	3P8731M10P1145
80	d90	10	35,1	F07	17	450	APD070	156,5	184	182	100	168,0	388,0	120	38,5	206,5	7,25	3P8731M10P1150
80	d110	10	35,1	F07	17	531	APD070	156,5	184	182	100	168,0	388,0	120	42,0	207,5	7,30	3P8731M10P1155

Single-acting ball valve with fusion socket connection, EPDM, NC

Nominal[mm] connection[mm]		max. press. [bar] PN	M(1) +30% [Nm]	Flan- ge	Squa- re	Kv	Pneumatic Actuator	Dimension [mm] and weight [kg]										Order Code
DN	d							A	B	D	F	G	H	I	t	Z	Weight	
10	d16	10	2,6	F04	11	7,8	APS050	61,5	147	55,5	33,0	81,0	208,0	94	14,5	69,5	1,75	3P8731M10P1210
15	d20	10	2,6	F04	11	11,4	APS050	61,5	147	55,5	33,0	81,0	208,0	94	16,0	66,5	1,75	3P8731M10P1215
20	d25	10	3,9	F04	11	26,4	APS050	69,0	147	62,0	40,0	86,5	220,5	94	17,5	78,0	1,88	3P8731M10P1220
25	d32	10	6,5	F04	11	39,0	APS050	73,0	147	70,0	43,5	89,5	227,0	94	19,5	84,0	1,95	3P8731M10P1225
32	d40	10	7,8	F05	11	64,8	APS050	83,0	147	84,0	51,0	97,0	242,0	94	22,0	97,0	2,15	3P8731M10P1230
40	d50	10	10,4	F05	14	119	APS060	94,0	168	101	56,5	104,5	269,0	108	25,5	114,0	3,23	3P8731M10P1235
50	d63	10	13,0	F05	14	195	APS060	109,0	168	115	64,5	111,5	284,0	108	29,0	136,5	3,60	3P8731M10P1240
65	d75	10	26,0	F07	17	312	APS070	131,5	184	149	85,0	138,5	343,5	120	34,5	162,0	5,50	3P8731M10P1245
80	d90	10	35,1	F07	17	450	APS080	156,5	204	182	100	168,0	397,0	129	38,5	206,5	7,55	3P8731M10P1250
80	d110	10	35,1	F07	17	531	APS080	156,5	204	182	100	168,0	397,0	129	42,0	207,5	7,60	3P8731M10P1255

Single-acting ball valve with fusion socket connection, EPDM, NO

Nominal[mm] connection[mm]		max. press. [bar] PN	M(1) +30% [Nm]	Flan- ge	Squa- re	Kv	Pneumatic Actuator	Dimension [mm] and weight [kg]										Order Code
DN	d							A	B	D	F	G	H	I	t	Z	Weight	
10	d16	10	2,6	F04	11	7,8	APS050	61,5	147	55,5	33,0	81,0	208,0	94	14,5	69,5	1,75	3P8731M10P1310
15	d20	10	2,6	F04	11	11,4	APS050	61,5	147	55,5	33,0	81,0	208,0	94	16,0	66,5	1,75	3P8731M10P1315
20	d25	10	3,9	F04	11	26,4	APS050	69,0	147	62,0	40,0	86,5	220,5	94	17,5	78,0	1,88	3P8731M10P1320
25	d32	10	6,5	F04	11	39,0	APS050	73,0	147	70,0	43,5	89,5	227,0	94	19,5	84,0	1,95	3P8731M10P1325
32	d40	10	7,8	F05	11	64,8	APS050	83,0	147	84,0	51,0	97,0	242,0	94	22,0	97,0	2,15	3P8731M10P1330
40	d50	10	10,4	F05	14	119	APS060	94,0	168	101	56,5	104,5	269,0	108	25,5	114,0	3,23	3P8731M10P1335
50	d63	10	13,0	F05	14	195	APS060	109,0	168	115	64,5	111,5	284,0	108	29,0	136,5	3,60	3P8731M10P1340
65	d75	10	26,0	F07	17	312	APS070	131,5	184	149	85,0	138,5	343,5	120	34,5	162,0	5,50	3P8731M10P1345
80	d90	10	35,1	F07	17	450	APS080	156,5	204	182	100	168,0	397,0	129	38,5	206,5	7,55	3P8731M10P1350
80	d110	10	35,1	F07	17	531	APS080	156,5	204	182	100	168,0	397,0	129	42,0	207,5	7,60	3P8731M10P1355

Double-acting ball valve with fusion socket connection, FPM

Nominal[mm] connection[mm]		max. press. [bar] PN	M(1) +30% [Nm]	Flan- ge	Squa- re	Kv	Pneumatic Actuator	Dimension [mm] and weight [kg]										Order Code
DN	Rp							A	B	D	F	G	H	I	t	Z	Weight	
10	d16	10	2,6	F04	11	7,8	APD050	61,5	147	55,5	33,0	81,0	208,0	94	14,5	69,5	1,65	3P8731M12P1110
15	d20	10	2,6	F04	11	11,4	APD050	61,5	147	55,5	33,0	81,0	208,0	94	16,0	66,5	1,65	3P8731M12P1115
20	d25	10	3,9	F04	11	26,4	APD050	69,0	147	62,0	40,0	86,5	220,5	94	17,5	78,0	1,78	3P8731M12P1120
25	d32	10	6,5	F04	11	39,0	APD050	73,0	147	70,0	43,5	89,5	227,0	94	19,5	84,0	1,85	3P8731M12P1125
32	d40	10	7,8	F05	11	64,8	APD050	83,0	147	84,0	51,0	97,0	242,0	94	22,0	97,0	2,05	3P8731M12P1130
40	d50	10	10,4	F05	14	119	APD060	94,0	168	101	56,5	104,5	269,0	108	25,5	114,0	3,03	3P8731M12P1135
50	d63	10	13,0	F05	14	195	APD060	109,0	168	115	64,5	111,5	284,0	108	29,0	136,5	3,40	3P8731M12P1140
65	d75	10	26,0	F07	17	312	APD070	131,5	184	149	85,0	138,5	343,5	120	34,5	162,0	5,20	3P8731M12P1145
80	d90	10	35,1	F07	17	450	APD070	156,5	184	182	100	168,0	388,0	120	38,5	206,5	7,25	3P8731M12P1150
80	d110	10	35,1	F07	17	531	APD070	156,5	184	182	100	168,0	388,0	120	42,0	207,5	7,30	3P8731M12P1155

Single-acting ball valve with fusion socket connection, FPM, NC

Nominal[mm] connection[mm]		max. press. [bar] PN	M(1) +30% [Nm]	Flan- ge	Squa- re	Kv	Pneumatic Actuator	Dimension [mm] and weight [kg]										Order Code
DN	Rp							A	B	D	F	G	H	I	t	Z	Weight	
10	d16	10	2,6	F04	11	7,8	APS050	61,5	147	55,5	33,0	81,0	208,0	94	14,5	69,5	1,75	3P8731M12P1210
15	d20	10	2,6	F04	11	11,4	APS050	61,5	147	55,5	33,0	81,0	208,0	94	16,0	66,5	1,75	3P8731M12P1215
20	d25	10	3,9	F04	11	26,4	APS050	69,0	147	62,0	40,0	86,5	220,5	94	17,5	78,0	1,88	3P8731M12P1220
25	d32	10	6,5	F04	11	39,0	APS050	73,0	147	70,0	43,5	89,5	227,0	94	19,5	84,0	1,95	3P8731M12P1225
32	d40	10	7,8	F05	11	64,8	APS050	83,0	147	84,0	51,0	97,0	242,0	94	22,0	97,0	2,15	3P8731M12P1230
40	d50	10	10,4	F05	14	119	APS060	94,0	168	101	56,5	104,5	269,0	108	25,5	114,0	3,23	3P8731M12P1235
50	d63	10	13,0	F05	14	195	APS060	109,0	168	115	64,5	111,5	284,0	108	29,0	136,5	3,60	3P8731M12P1240
65	d75	10	26,0	F07	17	312	APS070	131,5	184	149	85,0	138,5	343,5	120	34,5	162,0	5,50	3P8731M12P1245
80	d90	10	35,1	F07	17	450	APS080	156,5	204	182	100	168,0	397,0	129	38,5	206,5	7,55	3P8731M12P1250
80	d110	10	35,1	F07	17	531	APS080	156,5	204	182	100	168,0	397,0	129	42,0	207,5	7,60	3P8731M12P1255

Single-acting ball valve with fusion socket connection, FPM, NO

Nominal[mm] connection[mm]		max. press. [bar] PN	M(1) +30% [Nm]	Flan- ge	Squa- re	Kv	Pneumatic Actuator	Dimension [mm] and weight [kg]										Order Code
DN	d							A	B	D	F	G	H	I	t	Z	Weight	
10	d16	10	2,6	F04	11	7,8	APS050	61,5	147	55,5	33,0	81,0	208,0	94	14,5	69,5	1,75	3P8731M12P1310
15	d20	10	2,6	F04	11	11,4	APS050	61,5	147	55,5	33,0	81,0	208,0	94	16,0	66,5	1,75	3P8731M12P1315
20	d25	10	3,9	F04	11	26,4	APS050	69,0	147	62,0	40,0	86,5	220,5	94	17,5	78,0	1,88	3P8731M12P1320
25	d32	10	6,5	F04	11	39,0	APS050	73,0	147	70,0	43,5	89,5	227,0	94	19,5	84,0	1,95	3P8731M12P1325
32	d40	10	7,8	F05	11	64,8	APS050	83,0	147	84,0	51,0	97,0	242,0	94	22,0	97,0	2,15	3P8731M12P1330
40	d50	10	10,4	F05	14	119	APS060	94,0	168	101	56,5	104,5	269,0	108	25,5	114,0	3,23	3P8731M12P1335
50	d63	10	13,0	F05	14	195	APS060	109,0	168	115	64,5	111,5	284,0	108	29,0	136,5	3,60	3P8731M12P1340
65	d75	10	26,0	F07	17	312	APS070	131,5	184	149	85,0	138,5	343,5	120	34,5	162,0	5,50	3P8731M12P1345
80	d90	10	35,1	F07	17	450	APS080	156,5	204	182	100	168,0	397,0	129	38,5	206,5	7,55	3P8731M12P1350
80	d110	10	35,1	F07	17	531	APS080	156,5	204	182	100	168,0	397,0	129	42,0	207,5	7,60	3P8731M12P1355

Double-acting ball valve with fusion spigot connection, EPDM

Nominal[mm] connection[mm]		max. press. [bar] PN	M(1) +30% [Nm]	Flan- ge	Squa- re	Kv	Pneumatic Actuator	Dimension [mm] and weight [kg]									Order Code	
DN	Rp							A	B	D	F	G	H	I	t	Z		Weight
10	d16	10	2,6	F04	11	7,8	APD050	61,5	147	55,5	33,0	81,0	208,0	94	13,0	85,5	1,65	3P8731M10P1410
15	d20	10	2,6	F04	11	11,4	APD050	61,5	147	55,5	33,0	81,0	208,0	94	14,0	95,0	1,65	3P8731M10P1415
20	d25	10	3,9	F04	11	26,4	APD050	69,0	147	62,0	40,0	86,5	220,5	94	15,5	110,5	1,78	3P8731M10P1420
25	d32	10	6,5	F04	11	39,0	APD050	73,0	147	70,0	43,5	89,5	227,0	94	18,0	114,0	1,85	3P8731M10P1425
32	d40	10	7,8	F05	11	64,8	APD050	83,0	147	84,0	51,0	97,0	242,0	94	20,5	100,0	2,05	3P8731M10P1430
40	d50	10	10,4	F05	14	119	APD060	94,0	168	101	56,5	104,5	269,0	108	23,5	132,0	3,03	3P8731M10P1435
50	d63	10	13,0	F05	14	195	APD060	109,0	168	115	64,5	111,5	284,0	108	27,5	142,0	3,40	3P8731M10P1440
65	d75	10	26,0	F07	17	312	APD070	131,5	184	149	85,0	138,5	343,5	120	31,0	185,0	5,20	3P8731M10P1445
80	d90	10	35,1	F07	17	450	APD070	156,5	184	182	100	168,0	388,0	120	35,0	216,5	7,25	3P8731M10P1450
80	d110	10	35,1	F07	17	531	APD070	156,5	184	182	100	168,0	388,0	120	40,0	236,0	7,30	3P8731M10P1455

Single-acting ball valve with fusion spigot connection, EPDM, NC

Nominal[mm] connection[mm]		max. press. [bar] PN	M(1) +30% [Nm]	Flan- ge	Squa- re	Kv	Pneumatic Actuator	Dimension [mm] and weight [kg]									Order Code	
DN	d							A	B	D	F	G	H	I	t	Z		Weight
10	d16	10	2,6	F04	11	7,8	APS050	61,5	147	55,5	33,0	81,0	208,0	94	13,0	85,5	1,75	3P8731M10P1510
15	d20	10	2,6	F04	11	11,4	APS050	61,5	147	55,5	33,0	81,0	208,0	94	14,0	95,0	1,75	3P8731M10P1515
20	d25	10	3,9	F04	11	26,4	APS050	69,0	147	62,0	40,0	86,5	220,5	94	15,5	110,5	1,88	3P8731M10P1520
25	d32	10	6,5	F04	11	39,0	APS050	73,0	147	70,0	43,5	89,5	227,0	94	18,0	114,0	1,95	3P8731M10P1525
32	d40	10	7,8	F05	11	64,8	APS050	83,0	147	84,0	51,0	97,0	242,0	94	20,5	100,0	2,15	3P8731M10P1530
40	d50	10	10,4	F05	14	119	APS060	94,0	168	101	56,5	104,5	269,0	108	23,5	132,0	3,23	3P8731M10P1535
50	d63	10	13,0	F05	14	195	APS060	109,0	168	115	64,5	111,5	284,0	108	27,5	142,0	3,60	3P8731M10P1540
65	d75	10	26,0	F07	17	312	APS070	131,5	184	149	85,0	138,5	343,5	120	31,0	185,0	5,50	3P8731M10P1545
80	d90	10	35,1	F07	17	450	APS080	156,5	204	182	100	168,0	397,0	129	35,0	216,5	7,55	3P8731M10P1550
80	d110	10	35,1	F07	17	531	APS080	156,5	204	182	100	168,0	397,0	129	40,0	236,0	7,60	3P8731M10P1555

Single-acting ball valve with fusion spigot connection, EPDM, NO

Nominal[mm] connection[mm]		max. press. [bar] PN	M(1) +30% [Nm]	Flan- ge	Squa- re	Kv	Pneumatic Actuator	Dimension [mm] and weight [kg]									Order Code	
DN	d							A	B	D	F	G	H	I	t	Z		Weight
10	d16	10	2,6	F04	11	7,8	APS050	61,5	147	55,5	33,0	81,0	208,0	94	13,0	85,5	1,75	3P8731M10P1610
15	d20	10	2,6	F04	11	11,4	APS050	61,5	147	55,5	33,0	81,0	208,0	94	14,0	95,0	1,75	3P8731M10P1615
20	d25	10	3,9	F04	11	26,4	APS050	69,0	147	62,0	40,0	86,5	220,5	94	15,5	110,5	1,88	3P8731M10P1620
25	d32	10	6,5	F04	11	39,0	APS050	73,0	147	70,0	43,5	89,5	227,0	94	18,0	114,0	1,95	3P8731M10P1625
32	d40	10	7,8	F05	11	64,8	APS050	83,0	147	84,0	51,0	97,0	242,0	94	20,5	100,0	2,15	3P8731M10P1630
40	d50	10	10,4	F05	14	119	APS060	94,0	168	101	56,5	104,5	269,0	108	23,5	132,0	3,23	3P8731M10P1635
50	d63	10	13,0	F05	14	195	APS060	109,0	168	115	64,5	111,5	284,0	108	27,5	142,0	3,60	3P8731M10P1640
65	d75	10	26,0	F07	17	312	APS070	131,5	184	149	85,0	138,5	343,5	120	31,0	185,0	5,50	3P8731M10P1645
80	d90	10	35,1	F07	17	450	APS080	156,5	204	182	100	168,0	397,0	129	35,0	216,5	7,55	3P8731M10P1650
80	d110	10	35,1	F07	17	531	APS080	156,5	204	182	100	168,0	397,0	129	40,0	236,0	7,60	3P8731M10P1655

P8731M1

Double-acting ball valve with fusion spigot connection, FPM

Nominal[mm] connection[mm]		max. press. [bar] PN	M(1) +30% [Nm]	Flan- ge	Squa- re	Kv	Pneumatic Actuator	Dimension [mm] and weight [kg]									Order Code	
DN	d							A	B	D	F	G	H	I	t	Z		Weight
10	d16	10	2,6	F04	11	7,8	APD050	61,5	147	55,5	33,0	81,0	208,0	94	13,0	85,5	1,65	3P8731M12P1410
15	d20	10	2,6	F04	11	11,4	APD050	61,5	147	55,5	33,0	81,0	208,0	94	14,0	95,0	1,65	3P8731M12P1415
20	d25	10	3,9	F04	11	26,4	APD050	69,0	147	62,0	40,0	86,5	220,5	94	15,5	110,5	1,78	3P8731M12P1420
25	d32	10	6,5	F04	11	39,0	APD050	73,0	147	70,0	43,5	89,5	227,0	94	18,0	114,0	1,85	3P8731M12P1425
32	d40	10	7,8	F05	11	64,8	APD050	83,0	147	84,0	51,0	97,0	242,0	94	20,5	100,0	2,05	3P8731M12P1430
40	d50	10	10,4	F05	14	119	APD060	94,0	168	101	56,5	104,5	269,0	108	23,5	132,0	3,03	3P8731M12P1435
50	d63	10	13,0	F05	14	195	APD060	109,0	168	115	64,5	111,5	284,0	108	27,5	142,0	3,40	3P8731M12P1440
65	d75	10	26,0	F07	17	312	APD070	131,5	184	149	85,0	138,5	343,5	120	31,0	185,0	5,20	3P8731M12P1445
80	d90	10	35,1	F07	17	450	APD070	156,5	184	182	100	168,0	388,0	120	35,0	216,5	7,25	3P8731M12P1450
80	d110	10	35,1	F07	17	531	APD070	156,5	184	182	100	168,0	388,0	120	40,0	236,0	7,30	3P8731M12P1455

Single-acting ball valve with fusion spigot connection, FPM, NC

Nominal[mm] connection[mm]		max. press. [bar] PN	M(1) +30% [Nm]	Flan- ge	Squa- re	Kv	Pneumatic Actuator	Dimension [mm] and weight [kg]									Order Code	
DN	d							A	B	D	F	G	H	I	t	Z		Weight
10	d16	10	2,6	F04	11	7,8	APS050	61,5	147	55,5	33,0	81,0	208,0	94	13,0	85,5	1,75	3P8731M12P1510
15	d20	10	2,6	F04	11	11,4	APS050	61,5	147	55,5	33,0	81,0	208,0	94	14,0	95,0	1,75	3P8731M12P1515
20	d25	10	3,9	F04	11	26,4	APS050	69,0	147	62,0	40,0	86,5	220,5	94	15,5	110,5	1,88	3P8731M12P1520
25	d32	10	6,5	F04	11	39,0	APS050	73,0	147	70,0	43,5	89,5	227,0	94	18,0	114,0	1,95	3P8731M12P1525
32	d40	10	7,8	F05	11	64,8	APS050	83,0	147	84,0	51,0	97,0	242,0	94	20,5	100,0	2,15	3P8731M12P1530
40	d50	10	10,4	F05	14	119	APS060	94,0	168	101	56,5	104,5	269,0	108	23,5	132,0	3,23	3P8731M12P1535
50	d63	10	13,0	F05	14	195	APS060	109,0	168	115	64,5	111,5	284,0	108	27,5	142,0	3,60	3P8731M12P1540
65	d75	10	26,0	F07	17	312	APS070	131,5	184	149	85,0	138,5	343,5	120	31,0	185,0	5,50	3P8731M12P1545
80	d90	10	35,1	F07	17	450	APS080	156,5	204	182	100	168,0	397,0	129	35,0	216,5	7,55	3P8731M12P1550
80	d110	10	35,1	F07	17	531	APS080	156,5	204	182	100	168,0	397,0	129	40,0	236,0	7,60	3P8731M12P1555

Single-acting ball valve with fusion spigot connection, FPM, NO

Nominal[mm] connection[mm]		max. press. [bar] PN	M(1) +30% [Nm]	Flan- ge	Squa- re	Kv	Pneumatic Actuator	Dimension [mm] and weight [kg]									Order Code	
DN	d							A	B	D	F	G	H	I	t	Z		Weight
10	d16	10	2,6	F04	11	7,8	APS050	61,5	147	55,5	33,0	81,0	208,0	94	13,0	85,5	1,75	3P8731M12P1610
15	d20	10	2,6	F04	11	11,4	APS050	61,5	147	55,5	33,0	81,0	208,0	94	14,0	95,0	1,75	3P8731M12P1615
20	d25	10	3,9	F04	11	26,4	APS050	69,0	147	62,0	40,0	86,5	220,5	94	15,5	110,5	1,88	3P8731M12P1620
25	d32	10	6,5	F04	11	39,0	APS050	73,0	147	70,0	43,5	89,5	227,0	94	18,0	114,0	1,95	3P8731M12P1625
32	d40	10	7,8	F05	11	64,8	APS050	83,0	147	84,0	51,0	97,0	242,0	94	20,5	100,0	2,15	3P8731M12P1630
40	d50	10	10,4	F05	14	119	APS060	94,0	168	101	56,5	104,5	269,0	108	23,5	132,0	3,23	3P8731M12P1635
50	d63	10	13,0	F05	14	195	APS060	109,0	168	115	64,5	111,5	284,0	108	27,5	142,0	3,60	3P8731M12P1640
65	d75	10	26,0	F07	17	312	APS070	131,5	184	149	85,0	138,5	343,5	120	31,0	185,0	5,50	3P8731M12P1645
80	d90	10	35,1	F07	17	450	APS080	156,5	204	182	100	168,0	397,0	129	35,0	216,5	7,55	3P8731M12P1650
80	d110	10	35,1	F07	17	531	APS080	156,5	204	182	100	168,0	397,0	129	40,0	236,0	7,60	3P8731M12P1655