

**Manually operated
2-Way 3-piece
PVDF ball valve**

H8032M1



H8032M1

Solid, manually operated 3-piece 2-Way PVDF ball valve with fusion socket or fusion spigot connection and lockable lever.

SIZE

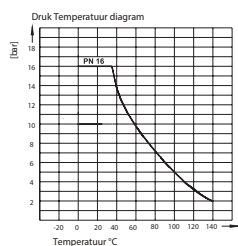
DN10 (3/8") to DN80 (3")

CONNECTION

- PVDF fusion socket according to DIN ASTM
- PVDF fusion spigot according to DIN
- Female thread BSP NPT

NOMINAL PRESSURE

From PN16



TEMPERATURE RANGE

Maximum 140°

MATERIALS

Body PVDF
Ball: PVDF
Ball seal: PTFE
Shaft: PVDF
Shaft sealing: EPDM / FPM
O-Ring: EPDM / FPM

FLOW DIRECTION

Random

MOUNTING POSITION

See mounting reference for industrial valves.

MEDIUM

Neutral gases and liquids. For applications with aggressive media consult resistance table. Certain media may increase the torque.

OPERATION (Standard)

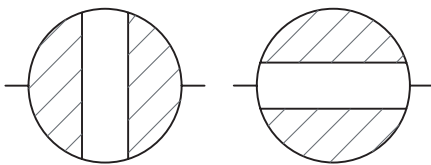
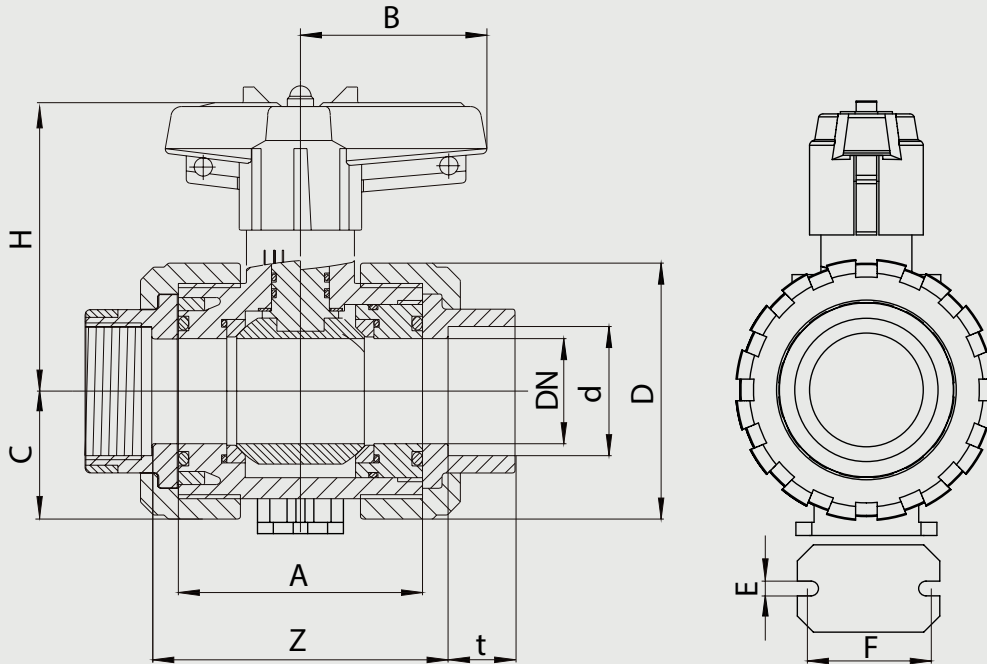
Lever

SOME ADVANTAGES

- Radially / removal
- Silicone free
- Centered ball
- Adjustable ball seating joint
- Full bore
- floating ball
- Integrated bottom mounting stand
- Maintenance free

OPTIONS

Spigot
Internal threaded
PVDF fusion socket
PVDF fusion spigot
Flange (ANSI, DIN, Jis)
Position Feedback



Ball Valve 2-way with fusion socket connection, Lever, FPM

Nominal[mm] connection[mm]		max. press. [bar]	M(1) +30% [Nm]	Flange	Squa- re	Kv in M3/h	Dimension [mm] and weight [kg]										Order Code
DN	Rp	PN					A	B	C	D	H	E	F	t	Z	Weight	
10	d16	16	2,6	F04	11	7,8	61,5	40	33	56,5	74,5	5,4	34	14,5	69,5	0,307	3H8032M12D1110
15	d20	16	2,6	F04	11	11,4	61,5	40	33	56,5	74,5	5,4	34	16	66,5	0,302	3H8032M12D1115
20	d25	16	3,9	F04	11	26,4	69	51,5	40	67	83	5,4	36	17,5	78	0,438	3H8032M12D1120
25	d32	16	6,5	F04	11	39	73	51,5	43,5	73,5	85,5	6,4	38	19,5	84	0,577	3H8032M12D1125
32	d40	16	7,8	F05	14	64,8	83	64	51	90	104,5	6,4	40	22	97	0,989	3H8032M12D1130
40	d50	16	10,4	F05	14	118,8	94	73	56,5	105,5	113	6,4	45	25,5	114	1,433	3H8032M12D1135
50	d63	16	13,0	F05	14	194,4	109	85	64,5	124,5	121,5	6,4	50	29	136,5	2,145	3H8032M12D1140
65	d75	16	26,0	F07	17	312	131,5	110	85	157,5	151,5	8,3	65	34,5	162	3,787	3H8032M12D1145
80	d90	16	35,1	F07	17	450	156,5	132	100	192,5	167	10,3	80	38,5	206,5	7,647	3H8032M12D1150
80	d110	16	35,1	F07	17	531	156,5	132	100	192,5	167	10,3	80	42	207,5	7,133	3H8032M12D1155

Ball Vave 2-way with fusion spigot connection, Lever, FPM

Nominal[mm] connection[mm]		max. press. [bar] PN	M(1) +30% [Nm]	Flange	Squa- re	Kv in M3/h	Dimension [mm] and weight [kg]										Order Code
DN	Rp						A	B	C	D	H	E	F	t	Z	Weight	
10	d16	16	2,6	F04	11	7,8	61,5	40	33	56,5	74,5	5,4	34	13	88	0,307	3H8032M12D1410
15	d20	16	2,6	F04	11	11,4	61,5	40	33	56,5	74,5	5,4	34	14	96	0,302	3H8032M12D1415
20	d25	16	3,9	F04	11	26,4	69	51,5	40	67	83	5,4	36	15,5	112	0,438	3H8032M12D1420
25	d32	16	6,5	F04	11	39	73	51,5	43,5	73,5	85,5	6,4	38	18	116	0,577	3H8032M12D1425
32	d40	16	7,8	F05	14	64,8	83	64	51	90	104,5	6,4	40	20,5	130	0,989	3H8032M12D1430
40	d50	16	10,4	F05	14	118,8	94	73	56,5	105,5	113	6,4	45	23	144	1,433	3H8032M12D1435
50	d63	16	13,0	F05	14	194,4	109	85	64,5	124,5	121,5	6,4	50	27	167	2,145	3H8032M12D1440
65	d75	16	26,0	F07	17	312	131,5	110	85	157,5	151,5	8,3	65	31,5	215	3,787	3H8032M12D1445
80	d90	16	35,1	F07	17	450	156,5	132	100	192,5	167	10,3	80	36	218,5	7,647	3H8032M12D1450
80	d110	16	35,1	F07	17	531	156,5	132	100	192,5	167	10,3	80	40	238,5	7,133	3H8032M12D1455

Ball Valve 2-way with BSP pipe threads connection and lever, FPM

Nominal[mm] connection[mm]		max. press. [bar] PN	M(1) +30% [Nm]	Flange	Squa- re	Kv in M3/h	Dimension [mm] and weight [kg]										Order Code
DN	d						A	B	C	D	H	E	F	t	Z	Weight	
10	G3/8	16	2,6	F04	11	11,9	61,5	40	33	56,5	74,5	5,4	34	16	66	0,307	3H8032M12D0010
15	G1/2	16	2,6	F04	11	13,5	61,5	40	33	56,5	74,5	5,4	34	16,5	67,5	0,302	3H8032M12D0015
20	G3/4	16	3,25	F04	11	24,0	69	51,5	40	67	83	5,4	36	19,5	75	0,438	3H8032M12D0020
25	G1	16	5,85	F04	11	37,8	73	51,5	43,5	73,5	85,5	6,4	38	23	80	0,577	3H8032M12D0025
32	G1.1/4	16	7,8	F05	14	54,0	83	64	51	90	104,5	6,4	40	26,5	89	0,989	3H8032M12D0030
40	G1.1/2	16	9,75	F05	14	127,2	94	73	56,5	105,5	113	6,4	45	31,5	102	1,433	3H8032M12D0035
50	G2	16	13	F05	14	180,0	109	85	64,5	124,5	121,5	6,4	50	38,5	120	2,145	3H8032M12D0040
65	G2.1/2	16	26	F07	17	309,0	131,5	110	85	157,5	151,5	8,3	65	44,5	142,5	3,787	3H8032M12D0045
80	G3	16	36,4	F07	17	456,0	156,5	132	100	192,5	167	10,3	80	56,5	174,5	7,647	3H8032M12D0050
80	G4	16	36,4	F07	17	456,0	156,5	132	100	192,5	167	10,3	80	61	162	7,133	3H8032M12D0055



**Manually operated
2-Way 3-piece
PVDF ball valve**

H8032M1