

**Manually operated  
2-Way 3-piece  
PVC ball valve**

**H8030M1**



**H8030M1**

Solid, manually operated 3-piece 2-Way PVC-U ball valve with treaded or solvent socket connection and lockable lever.

**SIZE**

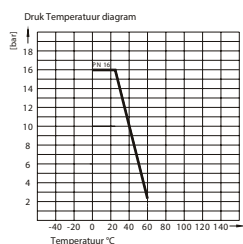
DN10 (3/8") to DN50 (2")

**CONNECTION**

- Solvent Socket connection according to DIN ASTM JIS
- Solvent Spignot connection DIN
- Female thread BSP NPT

**NOMINAL PRESSURE**

PN16



**TEMPERATURE RANGE**

Maximum 60°

**MATERIALS**

Body: PVC-U  
Ball: PVC-U  
Ball seal: PTFE  
Shaft: PVC-U  
Shaft sealing: EPDM / FPM  
O-Ring: EPDM / FPM

**FLOW DIRECTION**

Random

**MOUNTING POSITION**

See mounting reference for industrial valves.

**MEDIUM**

Neutral gases and liquids. For applications with aggressive media consult resistance table. Certain media may increase the torque.

**OPERATION (Standard)**

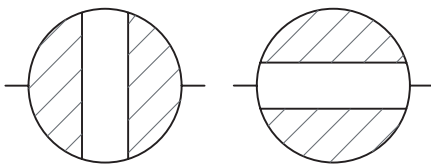
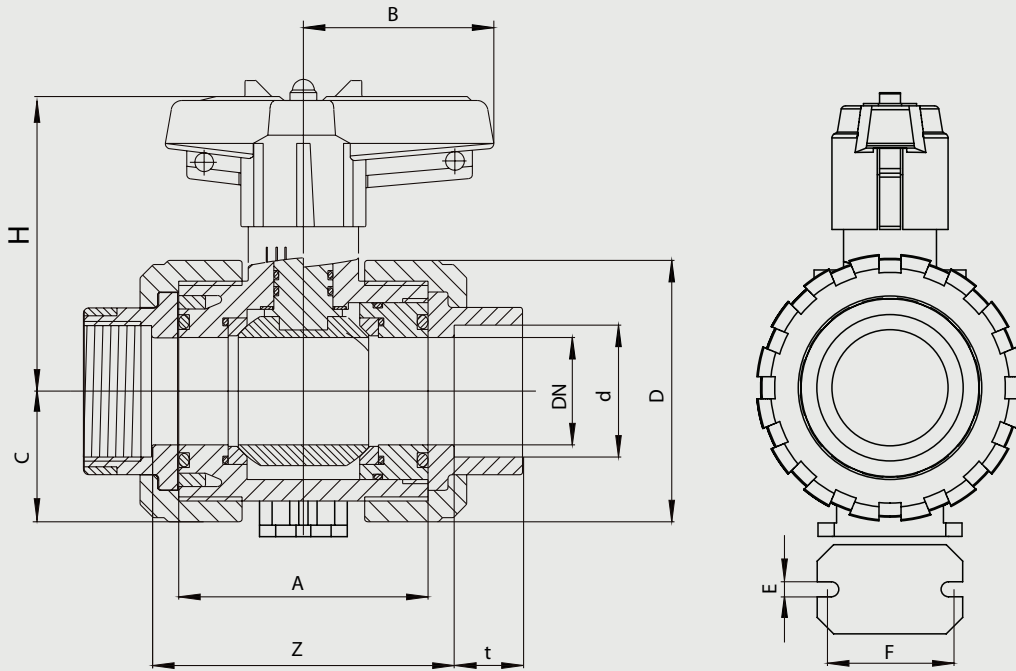
Lever

**SOME ADVANTAGES**

- Radially / removal
- Silicone free
- Centered ball
- Adjustable ball seating joint
- Full bore
- floating ball
- Integrated bottom mounting stand
- Maintenance free

**OPTIONS**

Internal treaded  
PE Fusion Spignot DIN  
PE Fusion Socket DIN  
Flange DIN / ANSI / JIS  
Position Feedback



### Ball Valve 2-way with solvent socket connection and lever, EPDM

Nominal[mm] connection[mm]		max. press. [bar] PN	M(1) +30% [Nm]	Flange	Squa- re	Kv in M3/h	Dimension [mm] and weight [kg]										Order Code
DN	d						A	B	C	H	D	E	F	t	Z	Weight	
10	d16	16	2,6	F04	11	11,9	45	39,5	33	70,5	55,5	5,5	34	16	51	0,220	3H8030M10V1110
15	d20	16	2,6	F04	11	13,5	45	39,5	33	70,5	55,5	5,5	34	16,5	50	0,215	3H8030M10V1115
20	d25	16	3,25	F04	11	24,0	53,5	51	40	77	62	5,5	36	19,5	59,5	0,286	3H8030M10V1120
25	d32	16	5,85	F04	11	37,8	54	51	43	79,5	70	6,5	38	23	60	0,343	3H8030M10V1125
32	d40	16	7,8	F05	14	54,0	62	63,5	51	98	84	6,5	40	26,5	68,5	0,550	3H8030M10V1130
40	d50	16	9,75	F05	14	127,2	78	72	56	105,5	101	6,5	45	31,5	86	0,904	3H8030M10V1135
50	d63	16	13	F05	14	180,0	87	84	64	114	115	6,5	50	38,5	98	1,285	3H8030M10V1140
65	d75	16	26	F07	17	309,0	111,5	110	85	142	149	8,3	65	44,5	122	2,755	3H8030M10V1145
80	d90	16	36,4	F07	17	456,0	135,5	132	100	153	182	10,3	80	56,5	152,5	5,062	3H8030M10V1150
80	d110	16	36,4	F07	17	456,0	135,5	132	100	153	182	10,3	80	61	162	5,096	3H8030M10V1155

### Ball Valve 2-way with solvent socket connection and lever, FPM

Nominal[mm] connection[mm]		max. press. [bar] PN	M(1) +30% [Nm]	Flange	Squa- re	Kv in M3/h	Dimension [mm] and weight [kg]										Order Code
DN	d						A	B	C	H	D	E	F	t	Z	Weight	
10	d16	16	2,6	F04	11	11,9	45	39,5	33	70,5	55,5	5,5	34	16	51	0,460	3H8030M12V1110
15	d20	16	2,6	F04	11	13,5	45	39,5	33	70,5	55,5	5,5	34	16,5	50	0,460	3H8030M12V1115
20	d25	16	3,25	F04	11	24,0	53,5	51	40	77	62	5,5	36	19,5	59,5	0,570	3H8030M12V1120
25	d32	16	5,85	F04	11	37,8	54	51	43	79,5	70	6,5	38	23	60	0,660	3H8030M12V1125
32	d40	16	7,8	F05	14	54,0	62	63,5	51	98	84	6,5	40	26,5	68,5	1,180	3H8030M12V1130
40	d50	16	9,75	F05	14	127,2	78	72	56	105,5	101	6,5	45	31,5	86	1,530	3H8030M12V1135
50	d63	16	13	F05	14	180,0	87	84	64	114	115	6,5	50	38,5	98	2,030	3H8030M12V1140
65	d75	16	26	F07	17	309,0	111,5	110	85	142	149	8,3	65	44,5	122	2,755	3H8030M12V1145
80	d90	16	36,4	F07	17	456,0	135,5	132	100	153	182	10,3	80	56,5	152,5	5,062	3H8030M12V1150
80	d110	16	36,4	F07	17	456,0	135,5	132	100	153	182	10,3	80	61	162	5,096	3H8030M12V1155

### Ball Valve 2-way with pipe threads connection and lever, EPDM

Nominal[mm] connection[mm]		max. press. [bar] PN	M(1) +30% [Nm]	Flange	Squa- re	Kv in M3/h	Dimension [mm] and weight [kg]										Order Code
DN	d						A	B	C	H	D	E	F	t	Z	Weight	
10	G3/8	16	2,6	F04	11	11,9	45	39,5	33	70,5	55,5	5,5	34	16	51	0,460	3H8030M10V0010
15	G1/2	16	2,6	F04	11	13,5	45	39,5	33	70,5	55,5	5,5	34	16,5	50	0,460	3H8030M10V0015
20	G3/4	16	3,25	F04	11	24,0	53,5	51	40	77	62	5,5	36	19,5	59,5	0,570	3H8030M10V0020
25	G1	16	5,85	F04	11	37,8	54	51	43	79,5	70	6,5	38	23	60	0,660	3H8030M10V0025
32	G1.1/4	16	7,8	F05	14	54,0	62	63,5	51	98	84	6,5	40	26,5	68,5	1,180	3H8030M10V0030
40	G1.1/2	16	9,75	F05	14	127,2	78	72	56	105,5	101	6,5	45	31,5	86	1,530	3H8030M10V0035
50	G2	16	13	F05	14	180,0	87	84	64	114	115	6,5	50	38,5	98	2,030	3H8030M10V0040
65	G2.1/2	16	26	F07	17	309,0	111,5	110	85	142	149	8,3	65	44,5	122	2,755	3H8030M10V0045
80	G3	16	36,4	F07	17	456,0	135,5	132	100	153	182	10,3	80	56,5	152,5	5,062	3H8030M10V0050
80	G4	16	36,4	F07	17	456,0	135,5	132	100	153	182	10,3	80	61	162	5,096	3H8030M10V0055

### Ball Valve 2-way with pipe threads connection and lever, FPM

Nominal[mm] connection[mm]		max. press. [bar] PN	M(1) +30% [Nm]	Flange	Squa- re	Kv in M3/h	Dimension [mm] and weight [kg]										Order Code
DN	d						A	B	C	H	D	E	F	t	Z	Weight	
10	G3/8	16	2,6	F04	11	11,9	45	39,5	33	70,5	55,5	5,5	34	16	51	0,460	3H8030M12V0010
15	G1/2	16	2,6	F04	11	13,5	45	39,5	33	70,5	55,5	5,5	34	16,5	50	0,460	3H8030M12V0015
20	G3/4	16	3,25	F04	11	24,0	53,5	51	40	77	62	5,5	36	19,5	59,5	0,570	3H8030M12V0020
25	G1	16	5,85	F04	11	37,8	54	51	43	79,5	70	6,5	38	23	60	0,660	3H8030M12V0025
32	G1.1/4	16	7,8	F05	14	54,0	62	63,5	51	98	84	6,5	40	26,5	68,5	1,180	3H8030M12V0030
40	G1.1/2	16	9,75	F05	14	127,2	78	72	56	105,5	101	6,5	45	31,5	86	1,530	3H8030M12V0035
50	G2	16	13	F05	14	180,0	87	84	64	114	115	6,5	50	38,5	98	2,030	3H8030M12V0040
65	G2.1/2	16	26	F07	17	309,0	111,5	110	85	142	149	8,3	65	44,5	122	2,755	3H8030M12V0045
80	G3	16	36,4	F07	17	456,0	135,5	132	100	153	182	10,3	80	56,5	152,5	5,062	3H8030M12V0050
80	G4	16	36,4	F07	17	456,0	135,5	132	100	153	182	10,3	80	61	162	5,096	3H8030M12V0055



**Manually operated  
2-Way 3-piece  
PVC ball valve**

**H8030M1**