



E8532M1

Solid, electrically operated 3-piece 2-Way PVDF ball valve with fusion socket, fusion spigot or threaded connection and JJ J+J J4C double acting brushless actuator.

SIZE

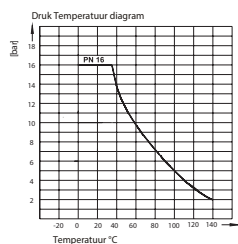
DN10 (3/8") to DN80 (3")

CONNECTION

- PVDF fusion socket according to DIN ASTM
- PVDF fusion spigot according to DIN
- Female thread BSP NPT
- Flange according to ANSI, DIN, Jis

NOMINAL PRESSURE

PN16



TEMPERATURE RANGE

Maximum 140°

MATERIALS

Body: PVDF
Ball: PVDF
Ball seal: PTFE
Shaft: PVDF
Shaft sealing: EPDM / FPM
O-Ring: EPDM / FPM

FLOW DIRECTION

Random

MOUNTING POSITION

See mounting reference for industrial valves.

MEDIUM

Neutral gases and liquids. For applications with aggressive media consult resistance table. Certain media may increase the torque.

OPERATION (Standaard)

With electrical J4C IP67 brushless actuator.

VOLTAGE

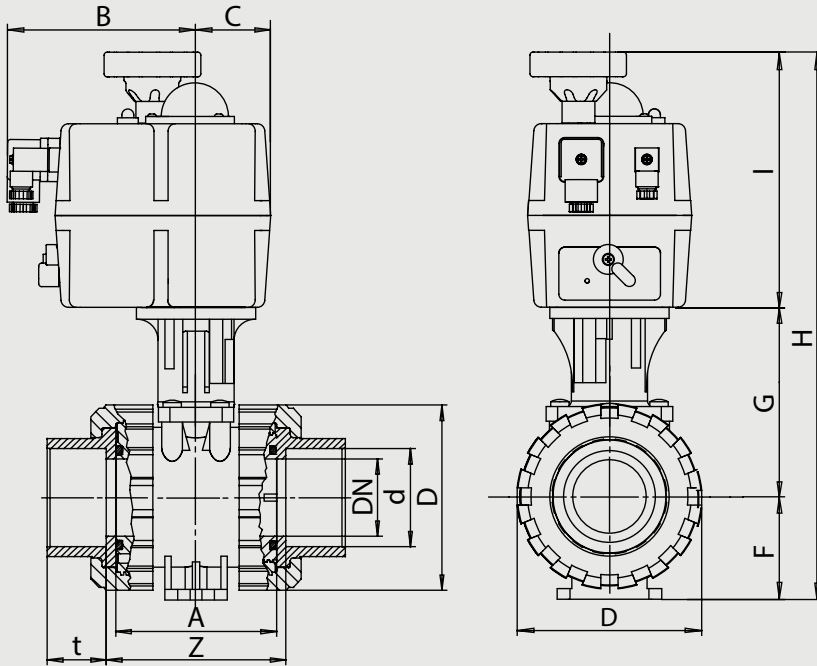
12V AC/DC, 24-240V AC/DC

SOME ADVANTAGES

- Radially / removal, Full Bore
- Centered floating ball
- J4C IP67 Brushless motor.
- ETL (Electrical torque limiter).
- AVS (Automatic voltage recognition).
- ATC (Automatic temperature control to avoid condensation).
- MO (Manual emergency override).
- VFC (2 integrated potential free microswitches for feedback).
- VCO (Multi color LED indicates normal operation of the actuator).
- PES (Protected electrical supply, the J3 accepts the same wiring connection for either AC or DC operation)

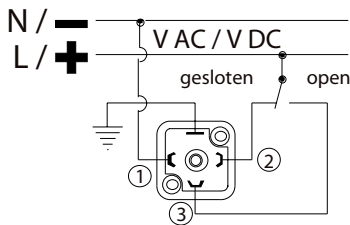
OPTIONS AND ACCESSORIES

Security power unit BSR, potentiometer for feedback, Positioner DPS, 0-10volt of 4-20mA

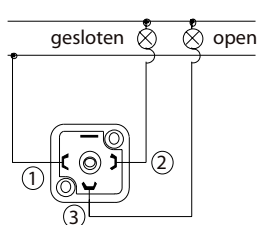


AC/DC 3 draads aansluiting

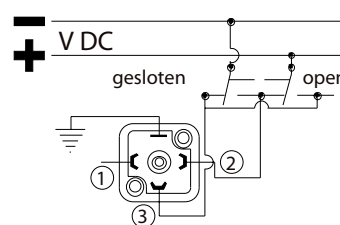
DC 2 draads aansluiting



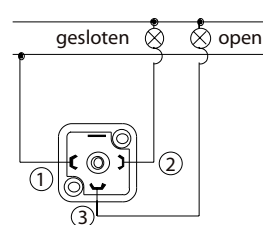
Stekker 1



Stekker 4



Stekker 1



Stekker 4

Double-acting ball valve with fusion socket connection, FPM, 12 Volt AC/DC

| Nominal[mm] connection[mm] | | max. press. [bar] | M(1) +30% [Nm] | Flan- ge | Squa- re | Kv | Electrical Actuator | Dimension [mm] and weight [kg] | | | | | | | | | | | Order Code |
|-------------------------------|------|-------------------------|----------------------|-------------|-------------|------|------------------------|--------------------------------|-----|----|------|-----|-------|-----|-----|------|-------|--------|------------------|
| DN | Rp | PN | | | | | | A | B | C | D | F | G | H | I | t | Z | Weight | |
| 10 | d16 | 10 | 2,6 | F04 | 11 | 7,8 | B020 | 61,5 | 130 | 51 | 55,5 | 33 | 81 | 283 | 169 | 14,5 | 69,5 | 2,05 | 3E8532M12D111012 |
| 15 | d20 | 10 | 2,6 | F04 | 11 | 11,4 | B020 | 61,5 | 130 | 51 | 55,5 | 33 | 81 | 283 | 169 | 16 | 66,5 | 2,05 | 3E8532M12D111512 |
| 20 | d25 | 10 | 3,25 | F04 | 11 | 26,4 | B020 | 69 | 130 | 51 | 62 | 40 | 86,5 | 296 | 169 | 17,5 | 78 | 2,18 | 3E8532M12D112012 |
| 25 | d32 | 10 | 5,85 | F04 | 11 | 39 | B020 | 73 | 130 | 51 | 70 | 43 | 89,5 | 302 | 169 | 19,5 | 84 | 2,25 | 3E8532M12D112512 |
| 32 | d40 | 10 | 7,8 | F05 | 11 | 64,8 | B020 | 83 | 130 | 51 | 84 | 51 | 97 | 317 | 169 | 22 | 97 | 2,45 | 3E8532M12D113012 |
| 40 | d50 | 10 | 9,75 | F05 | 14 | 119 | B020 | 94 | 130 | 51 | 101 | 56 | 104,5 | 330 | 169 | 25,5 | 114 | 2,73 | 3E8532M12D113512 |
| 50 | d63 | 10 | 13 | F05 | 14 | 195 | B020 | 109 | 130 | 51 | 115 | 64 | 111,5 | 345 | 169 | 29 | 136,5 | 3,10 | 3E8532M12D114012 |
| 65 | d75 | 10 | 26 | F07 | 17 | 312 | B055 | 131,5 | 130 | 51 | 149 | 85 | 138,5 | 420 | 196 | 34,5 | 162 | 5,00 | 3E8532M12D114512 |
| 80 | d90 | 10 | 36,4 | F07 | 17 | 450 | B055 | 156,5 | 130 | 51 | 182 | 100 | 168 | 464 | 196 | 38,5 | 206,5 | 7,05 | 3E8532M12D115012 |
| 80 | d110 | 10 | 36,4 | F07 | 17 | 531 | B055 | 156,5 | 130 | 51 | 182 | 100 | 168 | 464 | 196 | 42 | 207,5 | 7,05 | 3E8532M12D115512 |

**Electrically operated
2-Way 3-piece
PVDF ball valve**

E8532M1

Double-acting ball valve with fusion socket connection, FPM, 24-240 Volt AC/DC

| Nominal[mm] connection[mm] | | max. press. [bar] PN | M(1) +30% [Nm] | Flan- ge | Squa- re | Kv | Electrical Actuator | Dimension [mm] and weight [kg] | | | | | | | | | | | Order Code |
|-------------------------------|------|-------------------------------|----------------------|-------------|-------------|------|------------------------|--------------------------------|-----|----|------|-----|-------|-----|-----|------|-------|--------|------------------|
| DN | Rp | | | | | | | A | B | C | D | F | G | H | I | t | Z | Weight | |
| 10 | d16 | 10 | 2,6 | F04 | 11 | 7,8 | S020 | 61,5 | 130 | 51 | 55,5 | 33 | 81 | 283 | 169 | 14,5 | 69,5 | 2,05 | 3E8532M12D111044 |
| 15 | d20 | 10 | 2,6 | F04 | 11 | 11,4 | S020 | 61,5 | 130 | 51 | 55,5 | 33 | 81 | 283 | 169 | 16 | 66,5 | 2,05 | 3E8532M12D111544 |
| 20 | d25 | 10 | 3,25 | F04 | 11 | 26,4 | S020 | 69 | 130 | 51 | 62 | 40 | 86,5 | 296 | 169 | 17,5 | 78 | 2,18 | 3E8532M12D112044 |
| 25 | d32 | 10 | 5,85 | F04 | 11 | 39 | S020 | 73 | 130 | 51 | 70 | 43 | 89,5 | 302 | 169 | 19,5 | 84 | 2,25 | 3E8532M12D112544 |
| 32 | d40 | 10 | 7,8 | F05 | 11 | 64,8 | S020 | 83 | 130 | 51 | 84 | 51 | 97 | 317 | 169 | 22 | 97 | 2,45 | 3E8532M12D113044 |
| 40 | d50 | 10 | 9,75 | F05 | 14 | 119 | S020 | 94 | 130 | 51 | 101 | 56 | 104,5 | 330 | 169 | 25,5 | 114 | 2,73 | 3E8532M12D113544 |
| 50 | d63 | 10 | 13 | F05 | 14 | 195 | S020 | 109 | 130 | 51 | 115 | 64 | 111,5 | 345 | 169 | 29 | 136,5 | 3,10 | 3E8532M12D114044 |
| 65 | d75 | 10 | 26 | F07 | 17 | 312 | S055 | 131,5 | 130 | 51 | 149 | 85 | 138,5 | 420 | 196 | 34,5 | 162 | 5,00 | 3E8532M12D114544 |
| 80 | d90 | 10 | 36,4 | F07 | 17 | 450 | S055 | 156,5 | 130 | 51 | 182 | 100 | 168 | 464 | 196 | 38,5 | 206,5 | 7,05 | 3E8532M12D115044 |
| 80 | d110 | 10 | 36,4 | F07 | 17 | 531 | S055 | 156,5 | 130 | 51 | 182 | 100 | 168 | 464 | 196 | 42 | 207,5 | 7,05 | 3E8532M12D115544 |

Double-acting ball valve with fusion spigot connection, FPM, 12 Volt AC/DC

| Nominal[mm] connection[mm] | | max. press. [bar] PN | M(1) +30% [Nm] | Flan- ge | Squa- re | Kv | Electrical Actuator | Dimension [mm] and weight [kg] | | | | | | | | | | | Order Code |
|-------------------------------|------|-------------------------------|----------------------|-------------|-------------|------|------------------------|--------------------------------|-----|----|------|-----|-------|-----|-----|------|-------|--------|------------------|
| DN | d | | | | | | | A | B | C | D | F | G | H | I | t | Z | Weight | |
| 10 | d16 | 10 | 2,6 | F04 | 11 | 7,8 | B020 | 61,5 | 130 | 51 | 55,5 | 33 | 80 | 282 | 169 | 13 | 85,5 | 2,08 | 3E8532M12D141012 |
| 15 | d20 | 10 | 2,6 | F04 | 11 | 11,4 | B020 | 61,5 | 130 | 51 | 55,5 | 33 | 80 | 282 | 169 | 14 | 95 | 2,08 | 3E8532M12D141512 |
| 20 | d25 | 10 | 3,25 | F04 | 11 | 26,4 | B020 | 69 | 130 | 51 | 62 | 40 | 85,5 | 295 | 169 | 15,5 | 110,5 | 2,17 | 3E8532M12D142012 |
| 25 | d32 | 10 | 5,85 | F04 | 11 | 39 | B020 | 73 | 130 | 51 | 70 | 43 | 88 | 300 | 169 | 18 | 114 | 2,21 | 3E8532M12D142512 |
| 32 | d40 | 10 | 7,8 | F05 | 11 | 64,8 | B020 | 83 | 130 | 51 | 84 | 51 | 97 | 317 | 169 | 20,5 | 100 | 2,43 | 3E8532M12D143012 |
| 40 | d50 | 10 | 9,75 | F05 | 14 | 119 | B020 | 94 | 130 | 51 | 101 | 56 | 103 | 328 | 169 | 23,5 | 132 | 2,76 | 3E8532M12D143512 |
| 50 | d63 | 10 | 13 | F05 | 14 | 195 | B020 | 109 | 130 | 51 | 115 | 64 | 109,5 | 343 | 169 | 27,5 | 142 | 3,11 | 3E8532M12D144012 |
| 65 | d75 | 10 | 26 | F07 | 17 | 312 | B055 | 131,5 | 130 | 51 | 149 | 85 | 136,5 | 418 | 196 | 31 | 185 | 5,29 | 3E8532M12D144512 |
| 80 | d90 | 10 | 36,4 | F07 | 17 | 450 | B055 | 156,5 | 130 | 51 | 182 | 100 | 159,5 | 456 | 196 | 35 | 216,5 | 7,47 | 3E8532M12D145012 |
| 80 | d110 | 10 | 36,4 | F07 | 17 | 531 | B055 | 156,5 | 130 | 51 | 182 | 100 | 159,5 | 456 | 196 | 40 | 236 | 7,56 | 3E8532M12D145512 |

Double-acting ball valve with fusion spigot connection, FPM, 24-240 Volt AC/DC

| Nominal[mm] connection[mm] | | max. press. [bar] PN | M(1) +30% [Nm] | Flan- ge | Squa- re | Kv | Electrical Actuator | Dimension [mm] and weight [kg] | | | | | | | | | | | Order Code |
|-------------------------------|------|-------------------------------|----------------------|-------------|-------------|------|------------------------|--------------------------------|-----|----|------|-----|-------|-----|-----|------|-------|--------|------------------|
| DN | d | | | | | | | A | B | C | D | F | G | H | I | t | Z | Weight | |
| 10 | d16 | 10 | 2,6 | F04 | 11 | 7,8 | S020 | 61,5 | 130 | 51 | 55,5 | 33 | 80 | 282 | 169 | 13 | 85,5 | 2,08 | 3E8532M12D141044 |
| 15 | d20 | 10 | 2,6 | F04 | 11 | 11,4 | S020 | 61,5 | 130 | 51 | 55,5 | 33 | 80 | 282 | 169 | 14 | 95 | 2,08 | 3E8532M12D141544 |
| 20 | d25 | 10 | 3,25 | F04 | 11 | 26,4 | S020 | 69 | 130 | 51 | 62 | 40 | 85,5 | 295 | 169 | 15,5 | 110,5 | 2,17 | 3E8532M12D142044 |
| 25 | d32 | 10 | 5,85 | F04 | 11 | 39 | S020 | 73 | 130 | 51 | 70 | 43 | 88 | 300 | 169 | 18 | 114 | 2,21 | 3E8532M12D142544 |
| 32 | d40 | 10 | 7,8 | F05 | 11 | 64,8 | S020 | 83 | 130 | 51 | 84 | 51 | 97 | 317 | 169 | 20,5 | 100 | 2,43 | 3E8532M12D143044 |
| 40 | d50 | 10 | 9,75 | F05 | 14 | 119 | S020 | 94 | 130 | 51 | 101 | 56 | 103 | 328 | 169 | 23,5 | 132 | 2,76 | 3E8532M12D143544 |
| 50 | d63 | 10 | 13 | F05 | 14 | 195 | S020 | 109 | 130 | 51 | 115 | 64 | 109,5 | 343 | 169 | 27,5 | 142 | 3,11 | 3E8532M12D144044 |
| 65 | d75 | 10 | 26 | F07 | 17 | 312 | S055 | 131,5 | 130 | 51 | 149 | 85 | 136,5 | 418 | 196 | 31 | 185 | 5,29 | 3E8532M12D144544 |
| 80 | d90 | 10 | 36,4 | F07 | 17 | 450 | S055 | 156,5 | 130 | 51 | 182 | 100 | 159,5 | 456 | 196 | 35 | 216,5 | 7,47 | 3E8532M12D145044 |
| 80 | d110 | 10 | 36,4 | F07 | 17 | 531 | S055 | 156,5 | 130 | 51 | 182 | 100 | 159,5 | 456 | 196 | 40 | 236 | 7,56 | 3E8532M12D145544 |

Double-acting ball valve with pipe threads connection, FPM, 12 Volt AC/DC

| Nominal[mm] connection[mm] | | max. press. [bar] PN | M(1) +30% [Nm] | Flan- ge | Squa- re | Kv | Electrical Actuator | Dimension [mm] and weight [kg] | | | | | | | | | | Order Code | |
|-------------------------------|--------|-------------------------------|----------------------|-------------|-------------|------|------------------------|--------------------------------|-----|----|------|-----|-------|-----|-----|------|-------|------------|------------------|
| DN | Rp | | | | | | | A | B | C | D | F | G | H | I | t | Z | | Weight |
| 10 | G3/8 | 10 | 2,6 | F04 | 11 | 7,8 | B020 | 61,5 | 130 | 51 | 55,5 | 33 | 80 | 282 | 169 | 16 | 66,5 | 2,08 | 3E8532M12D001012 |
| 15 | G1/2 | 10 | 2,6 | F04 | 11 | 11,4 | B020 | 61,5 | 130 | 51 | 55,5 | 33 | 80 | 282 | 169 | 16,5 | 66,5 | 2,08 | 3E8532M12D001512 |
| 20 | G3/4 | 10 | 3,25 | F04 | 11 | 26,4 | B020 | 69 | 130 | 51 | 62 | 40 | 85,5 | 295 | 169 | 19,5 | 74 | 2,17 | 3E8532M12D002012 |
| 25 | G1 | 10 | 5,85 | F04 | 11 | 39 | B020 | 73 | 130 | 51 | 70 | 43 | 88 | 300 | 169 | 23 | 80 | 2,21 | 3E8532M12D002512 |
| 32 | G1.1/4 | 10 | 7,8 | F05 | 11 | 64,8 | B020 | 83 | 130 | 51 | 84 | 51 | 97 | 317 | 169 | 26,5 | 89 | 2,43 | 3E8532M12D003012 |
| 40 | G1.1/2 | 10 | 9,75 | F05 | 14 | 119 | B020 | 94 | 130 | 51 | 101 | 56 | 103 | 328 | 169 | 31,5 | 103 | 2,76 | 3E8532M12D003512 |
| 50 | G2 | 10 | 13 | F05 | 14 | 195 | B020 | 109 | 130 | 51 | 115 | 64 | 109,5 | 343 | 169 | 38,5 | 119 | 3,11 | 3E8532M12D004012 |
| 65 | G2.1/2 | 10 | 26 | F07 | 17 | 312 | B055 | 131,5 | 130 | 51 | 149 | 85 | 136,5 | 418 | 196 | 44,5 | 142 | 5,29 | 3E8532M12D004512 |
| 80 | G3 | 10 | 36,4 | F07 | 17 | 450 | B055 | 156,5 | 130 | 51 | 182 | 100 | 159,5 | 456 | 196 | 56,5 | 173,5 | 7,47 | 3E8532M12D005012 |
| 80 | G4 | 10 | 36,4 | F07 | 17 | 531 | B055 | 156,5 | 130 | 51 | 182 | 100 | 159,5 | 456 | 196 | 61 | 176,5 | 7,56 | 3E8532M12D005512 |

Double-acting ball valve with pipe threads connection, FPM, 24-240 Volt AC/DC

| Nominal[mm] connection[mm] | | max. press. [bar] PN | M(1) +30% [Nm] | Flan- ge | Squa- re | Kv | Electrical Actuator | Dimension [mm] and weight [kg] | | | | | | | | | | Order Code | |
|-------------------------------|--------|-------------------------------|----------------------|-------------|-------------|------|------------------------|--------------------------------|-----|----|------|-----|-------|-----|-----|------|-------|------------|------------------|
| DN | Rp | | | | | | | A | B | C | D | F | G | H | I | t | Z | | Weight |
| 10 | G3/8 | 10 | 2,6 | F04 | 11 | 7,8 | S020 | 61,5 | 130 | 51 | 55,5 | 33 | 80 | 282 | 169 | 16 | 66,5 | 2,08 | 3E8532M12D001044 |
| 15 | G1/2 | 10 | 2,6 | F04 | 11 | 11,4 | S020 | 61,5 | 130 | 51 | 55,5 | 33 | 80 | 282 | 169 | 16,5 | 66,5 | 2,08 | 3E8532M12D001544 |
| 20 | G3/4 | 10 | 3,25 | F04 | 11 | 26,4 | S020 | 69 | 130 | 51 | 62 | 40 | 85,5 | 295 | 169 | 19,5 | 74 | 2,17 | 3E8532M12D002044 |
| 25 | G1 | 10 | 5,85 | F04 | 11 | 39 | S020 | 73 | 130 | 51 | 70 | 43 | 88 | 300 | 169 | 23 | 80 | 2,21 | 3E8532M12D002544 |
| 32 | G1.1/4 | 10 | 7,8 | F05 | 11 | 64,8 | S020 | 83 | 130 | 51 | 84 | 51 | 97 | 317 | 169 | 26,5 | 89 | 2,43 | 3E8532M12D003044 |
| 40 | G1.1/2 | 10 | 9,75 | F05 | 14 | 119 | S020 | 94 | 130 | 51 | 101 | 56 | 103 | 328 | 169 | 31,5 | 103 | 2,76 | 3E8532M12D003544 |
| 50 | G2 | 10 | 13 | F05 | 14 | 195 | S020 | 109 | 130 | 51 | 115 | 64 | 109,5 | 343 | 169 | 38,5 | 119 | 3,11 | 3E8532M12D004044 |
| 65 | G2.1/2 | 10 | 26 | F07 | 17 | 312 | S055 | 131,5 | 130 | 51 | 149 | 85 | 136,5 | 418 | 196 | 44,5 | 142 | 5,29 | 3E8532M12D004544 |
| 80 | G3 | 10 | 36,4 | F07 | 17 | 450 | S055 | 156,5 | 130 | 51 | 182 | 100 | 159,5 | 456 | 196 | 56,5 | 173,5 | 7,47 | 3E8532M12D005044 |
| 80 | G4 | 10 | 36,4 | F07 | 17 | 531 | S055 | 156,5 | 130 | 51 | 182 | 100 | 159,5 | 456 | 196 | 61 | 176,5 | 7,56 | 3E8532M12D005544 |