

E85J4C 300NM



E85J4C 300Nm

E85 J4C 300 Nm, J+J electric actuator provided with brushless motor.

Compact quarter turn electric actuator for mounting on valves.

Mounting according to ISO 5211/DIN 3337.

VOLTAGE RANGE

S (-0%/+5%): 24-240V AC/DC
(Voltage range Multi Voltage)

B (-0%/+5%): 12V AC/DC
(Voltage range 12Volt)

OPERATING TIME

- 48 sec 90°

TORQUE

Maximum break torque: 350Nm
Torque: 300Nm

TEMPERATURE RANGE

From -20°C to 70°C

MATERIALS / CONNECTION

Mechanical connection: Multi Flange F07/F10 and F12 with extra kit
Standard Double Square: 22mm, option 17mm or double D 17mm
Housing: Nylon (PA 6)
Weight: 5,2 kg

POWER CONSUMPTION

DC: Max Torque 300Nm
24 VDC 880 mA 21,2 Watt
48 VDC 440 mA 21,2 Watt
110 VDC 130 mA 14,8 Watt
AC: Max Torque 300Nm
24 VAC 1160 mA 27,7 Watt
48 VAC 280 mA 33,1 Watt
110 VAC 260 mA 29,0 Watt
240 VAC 160 mA 38,0 Watt

ELECTRICAL DATA

Duty rating: 75%
Protection IEC 60529 rating: IP67
Micro Switches: 4 pieces SPDT
Heating Resistor: 3,5 Watt
Electrical Connection: Big EN175301-803 din A
Small DIN43650 din C

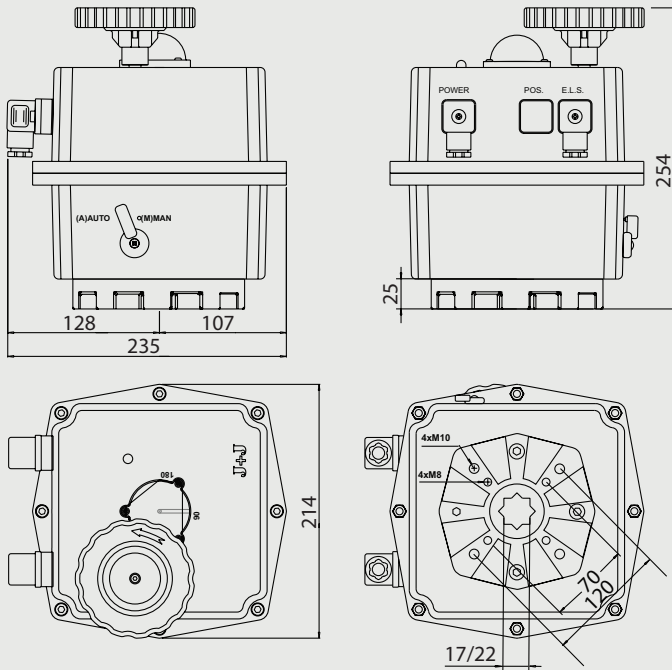
SOME ADVANTAGES

- Brushless Motor.
- Working Angle freely adjustable between 0° en 270°.
- ETL (Electrical torque limiter).
- AVS (Automatic voltage recognition).
- ATC (Automatic temperature control to avoid condensation).
- MO (Manual emergency override).
- VFC (2 integrated potential free microswitches for feedback).
- Working angle free adjustable between 90° en 270°.
- VCO (A continues lighting 2 color LED indicates normal operation of the actuator).
- PES (Protected electrical supply, the J3 accepts the same wiring connection for either AC or DC operation)
- Conversion from 24-240Volt to only 12Volt is possible by replacing the installed power supply PCB with the power supply from the 12 VAC / VDC PCB power supply kit.

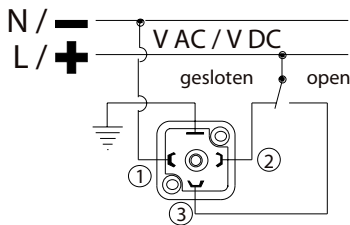
OPTIONS AND ACCESSORIES

Security power unit BSR
Working Angle (0°-180°, 0°-90°-180° and other on request)
Potentiometer for feedback(1K, 5K of 10K)
Positioner DPS(adjustable 0-10V or 4-20mA input and output)

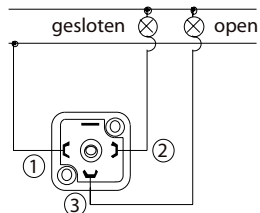
E85J4C 300NM



AC/DC 3 draads aansluiting

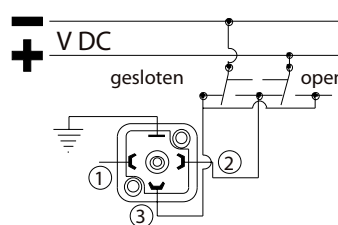


Stekker 1

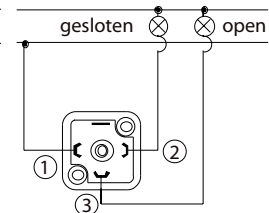


Stekker 4

DC 2 draads aansluiting



Stekker 1



Stekker 4

J4C B, 300Nm, 12V AC/DC B300 J+J Electric actuator type E85-J4C B 300Nm

Torque [Nm]		Type	Variant	Multi Flange	Square	Voltage	IP	Dimension [mm] and weight [kg]				Order Code
Turn	Start							L	B	H	Weight	
300	350	B300	Standard	F07 / F10	22	12V AC/DC	67	235	214	254	5,20	981S4B000601

J4C S, 300Nm, 24-240V AC/DC S300 J+J Electric actuator type E85-J3 300Nm

Torque [Nm]		Type	Variant	Multi Flange	Square	Voltage	IP	Dimension [mm] and weight [kg]				Order Code
Turn	Start							L	B	H	Weight	
300	350	S300	Standard	F07 / F10	22	24-240V AC/DC	67	235	214	254	5,20	981S4C000609