



E85J4C 55Nm

E85 J4C 55 Nm, J+J electric actuator provided with brushless motor.
Compact quarter turn electric actuator for mounting on valves.
Mounting according to ISO 5211/DIN 3337.

VOLTAGE RANGE

S (-0%/+5%): 24-240V AC/DC
(Voltage range Multi Voltage)
B (-0%/+5%): 12V AC/DC
(Voltage range 12Volt)

OPERATING TIME

- 13 sec 90°

TORQUE

Maximum break torque: 60Nm
Torque: 55Nm

TEMPERATURE RANGE

From -20°C to 70°C

MATERIALS / CONNECTION

Mechanical connection: Multi Flange F05/F07
Standard Double Square: 17mm, option 11, 14mm, double D 11, 17mm
Housing: Nylon (PA 6)
Weight: 2,4 kg

POWER CONSUMPTION

DC: Max Torque 55Nm
24 VDC 1210 mA 29,0 Watt
48 VDC 560 mA 27,0 Watt
110 VDC 170 mA 18,2 Watt
AC: Max Torque 55Nm
24 VAC 1690 mA 40,7 Watt
48 VAC 970 mA 46,5 Watt
110 VAC 360 mA 39,2 Watt
240 VAC 200 mA 47,5 Watt

ELECTRICAL DATA

Duty rating: 75%
Protection IEC 60529 rating: IP67
Micro Switches: 4 pieces SPDT
Heating Resistor: 3,5 Watt
Electrical Connection: Big EN175301-803 din A
Small DIN43650 din C

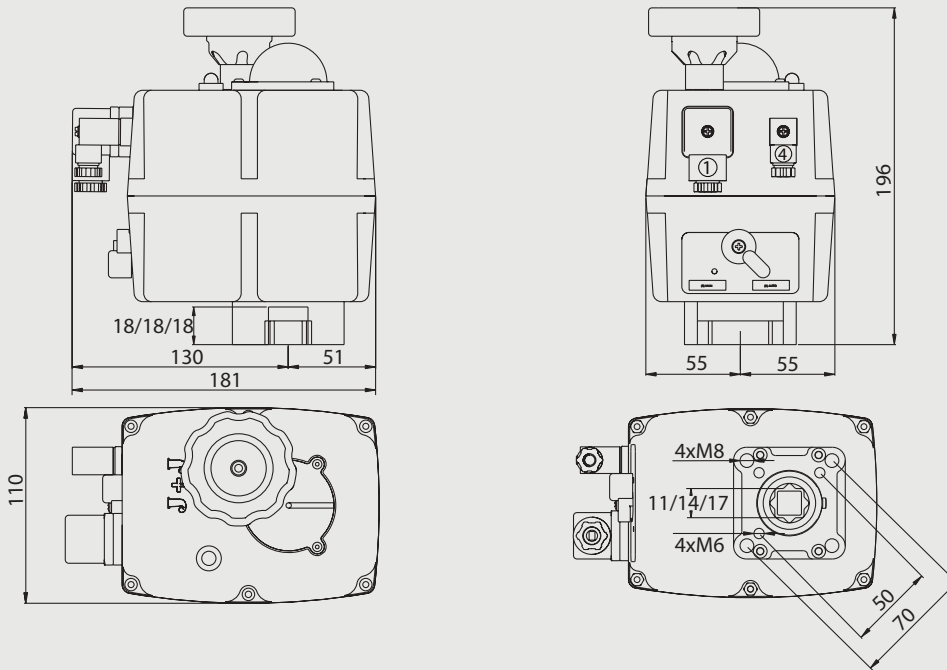
SOME ADVANTAGES

- Brushless Motor.
- Working Angle freely adjustable between 0° en 270°.
- ETL (Electrical torque limiter).
- AVS (Automatic voltage recognition).
- ATC (Automatic temperature control to avoid condensation).
- MO (Manual emergency override).
- VFC (2 integrated potential free microswitches for feedback).
- Working angle free adjustable between 90° en 270°.
- VCO (A continues lighting 2 color LED indicates normal operation of the actuator).
- PES (Protected electrical supply, the J3 accepts the same wiring connection for either AC or DC operation).

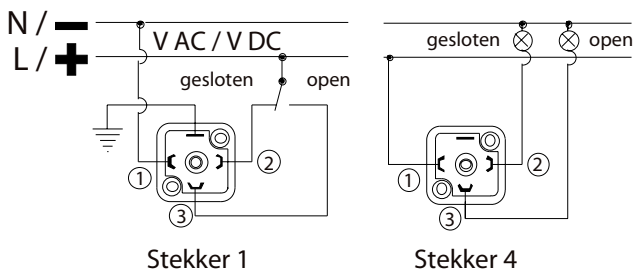
OPTIONS AND ACCESSORIES

Security power unit BSR
Working Angle (0°-180°, 0°-90°-180° and other on request)
Potentiometer for feedback (1K, 5K of 10K)
Positioner DPS (adjustable 0-10V or 4-20mA input and output)

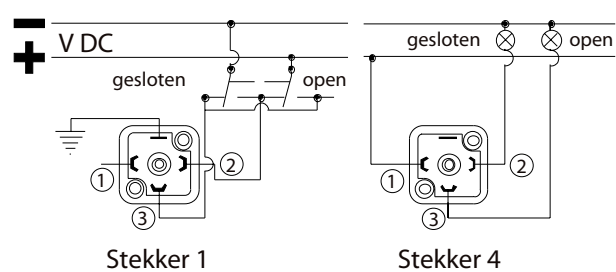
E85J4C 55NM



AC/DC 3 draads aansluiting



DC 2 draads aansluiting



J4C-B, 55Nm, 12V AC/DC
B055 J+J Electric actuator type E85-J4C B 55Nm

Torque [Nm]		Type	Variant	Multi Flange	Square	Voltage	IP	Dimension [mm] and weight [kg]				Order Code
Turn	Start							L	B	H	Weight	
55	60	B055	Standard	F05 / F07	17	12V AC/DC	67	181	110	196	2,40	981S4B000301

J4C-S, 55Nm, 24-240V AC/DC
S055 J+J Electric actuator type E85-J4C S 55Nm

Torque [Nm]		Type	Variant	Multi Flange	Square	Voltage	IP	Dimension [mm] and weight [kg]				Order Code
Turn	Start							L	B	H	Weight	
55	60	S055	Standard	F05 / F07	17	24-240V AC/DC	67	181	110	196	2,40	981S4C000309