

E85J4C 35NM



E85J4C 35Nm

E85 J4C 35 Nm, J+J electric actuator provided with brushless motor.
Compact quarter turn electric actuator for mounting on valves.
Mounting according to ISO 5211/DIN 3337.

VOLTAGE RANGE

S (-0%/+5%): 24-240V AC/DC
(Voltage range Multi Voltage)
B (-0%/+5%): 12V AC/DC
(Voltage range 12Volt)

OPERATING TIME

- 10 sec 90°

TORQUE

Maximum break torque: 38Nm
Torque: 35Nm

TEMPERATURE RANGE

From -20°C to 70°C

MATERIALS / CONNECTION

Mechanical connection: Multi Flange F03/F04/F05 with extra kit F07.
Standard Double Square: 14mm, option 9mm, 11 mm, Double D 11mm
Housing: Nylon (PA 6)
Weight: 1,9 kg

POWER CONSUMPTION

DC: Max Torque 35Nm
24 VDC 1200 mA 27,6 Watt
48 VDC 500 mA 24,4 Watt
110 VDC 200 mA 18,2 Watt
AC: Max Torque 35Nm
24 VAC 1500 mA 36,4 Watt
48 VAC 900 mA 41,9 Watt
110 VAC 300 mA 37,3 Watt
240 VAC 200 mA 45,9 Watt

ELECTRICAL DATA

Duty rating: 75%
Protection IEC 60529 rating: IP67
Micro Switches: 4 pieces SPDT
Heating Resistor: 3,5 Watt
Electrical Connection: Big EN175301-803 din A
Small DIN43650 din C

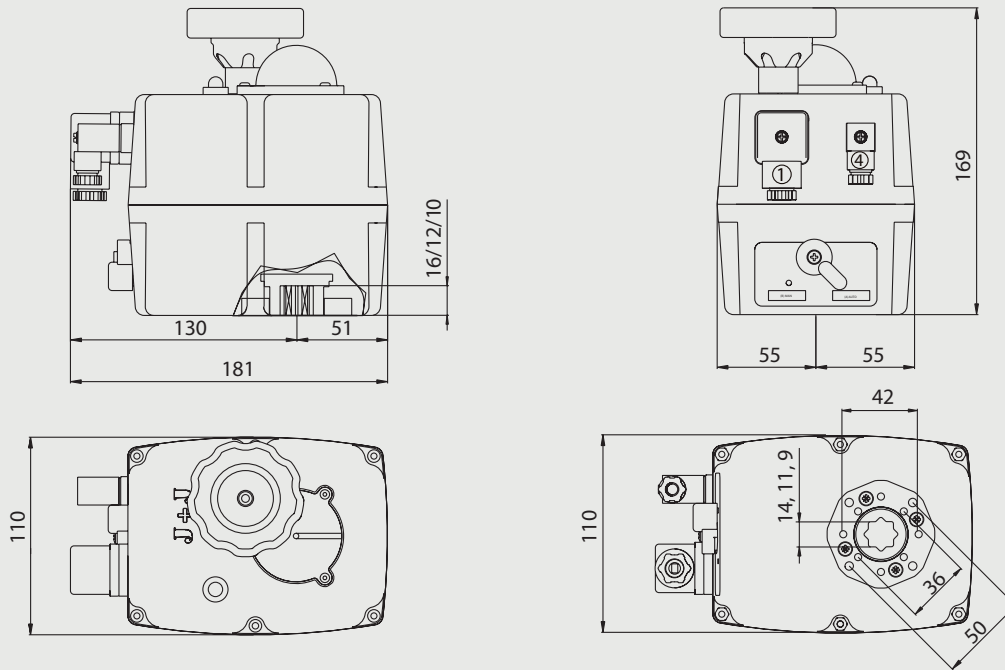
SOME ADVANTAGES

- Brushless Motor.
- Working Angle freely adjustable between 0° en 270°.
- ETL (Electrical torque limiter).
- AVS (Automatic voltage recognition).
- ATC (Automatic temperature control to avoid condensation).
- MO (Manual emergency override).
- VFC (2 integrated potential free microswitches for feedback).
- Working angle free adjustable between 90° en 270°.
- VCO (A continues lighting 2 color LED indicates normal operation of the actuator).
- PES (Protected electrical supply, the J3 accepts the same wiring connection for either AC or DC operation).

OPTIONS AND ACCESSORIES

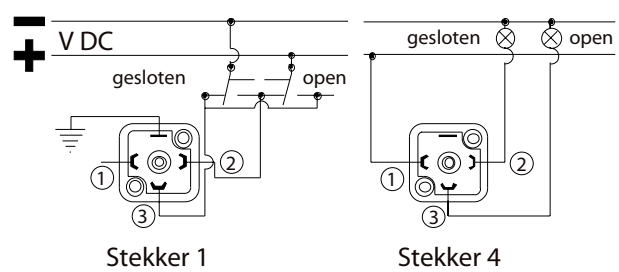
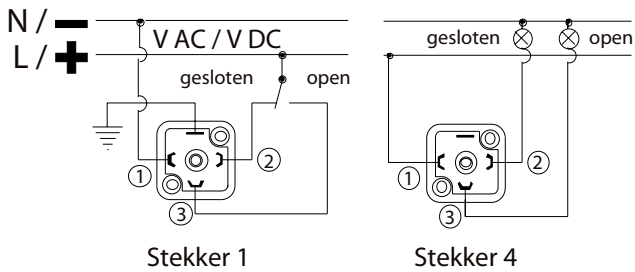
Security power unit BSR
Working Angle (0°-180°, 0°-90°-180° and other on request)
Potentiometer for feedback (1K, 5K of 10K)
Positioner DPS (adjustable 0-10V or 4-20mA input and output)

E85J4C 35NM



AC/DC 3 draads aansluiting

DC 2 draads aansluiting



J4C-B, 35Nm, 12V AC/DC
B035 J+J Electric actuator type E85-J4C B 35Nm

Torque [Nm]		Type	Variant	Multi Flange	Square	Voltage	IP	Dimension [mm] and weight [kg]				Order Code
Turn	Start							L	B	H	Weight	
35	38	B035	Standard	F03 / F04 / F05	14	12V AC/DC	67	181	110	169	1,90	981S4B000201

J4C-S, 35Nm, 24-240V AC/DC
S035 J+J Electric actuator type E85-J4C S 35Nm

Torque [Nm]		Type	Variant	Multi Flange	Square	Voltage	IP	Dimension [mm] and weight [kg]				Order Code
Turn	Start							L	B	H	Weight	
35	38	S035	Standard	F03 / F04 / F05	14	24-240V AC/DC	67	181	110	169	1,90	981S4C000209