

# E85J4C 20NM



## E85J4C 20Nm

E85 J4C 20 Nm, J+J electric actuator provided with brushless motor.  
Compact quarter turn electric actuator for mounting on valves.  
Mounting according to ISO 5211/DIN 3337.

### VOLTAGE RANGE

S (-0%/+5%): 24-240V AC/DC  
(Voltage range Multi Voltage)  
B (-0%/+5%): 12V AC/DC  
(Voltage range 12Volt)

### OPERATING TIME

- 10 sec 90°

### TORQUE

Maximum break torque: 25Nm  
Torque: 20Nm

### TEMPERATURE RANGE

From -20°C to 70°C

### MATERIALS / CONNECTION

Mechanical connection: Multi Flange F03/F04/F05 with extra kit F07.  
Standard Double Square: 14mm, option 9mm, 11 mm, Double D 11mm  
Housing: Nylon (PA 6)  
Weight: 1,8 kg

### POWER CONSUMPTION

DC: Max Torque 20Nm  
24 VDC 800 mA 19,3 Watt  
48 VDC 400 mA 18,0 Watt  
110 VDC 100 mA 13,3 Watt  
AC: Max Torque 20Nm  
24 VAC 1100 mA 25,8 Watt  
48 VAC 700 mA 31,3 Watt  
110 VAC 300 mA 27,6 Watt  
240 VAC 200 mA 37,5 Watt

### ELECTRICAL DATA

Duty rating: 75%  
Protection IEC 60529 rating: IP67  
Micro Switches: 4 pieces SPDT  
Heating Resistor: 3,5 Watt  
Electrical Connection: Big EN175301-803 din A  
Small DIN43650 din C

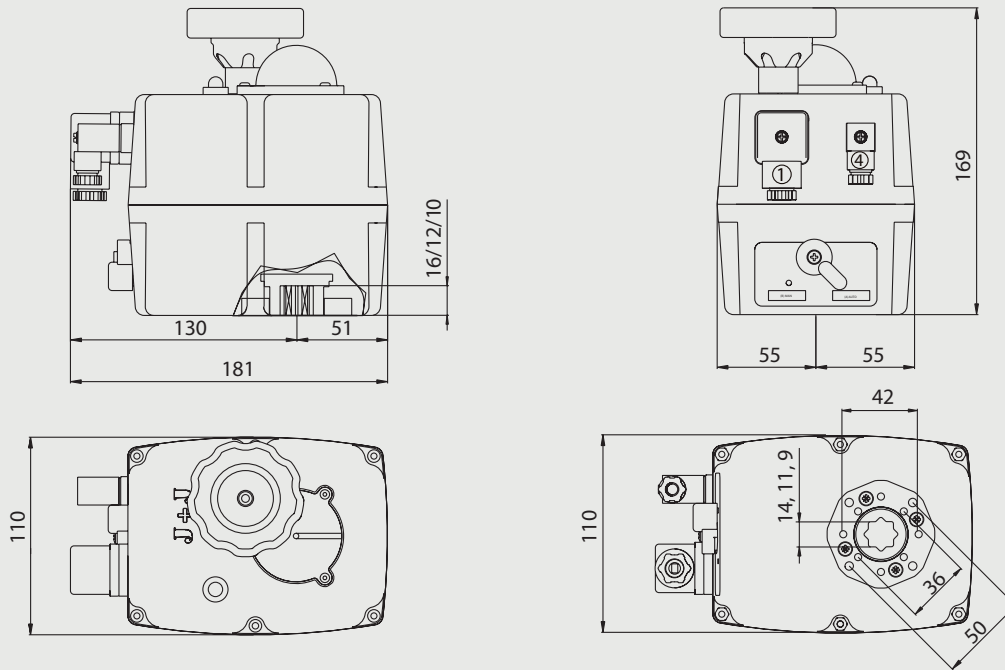
### SOME ADVANTAGES

- Brushless Motor.
- Working Angle freely adjustable between 0° en 270°.
- ETL (Electrical torque limiter).
- AVS (Automatic voltage recognition).
- ATC (Automatic temperature control to avoid condensation).
- MO (Manual emergency override).
- VFC (2 integrated potential free microswitches for feedback).
- Working angle free adjustable between 90° en 270°.
- VCO (A continues lighting 2 color LED indicates normal operation of the actuator).
- PES (Protected electrical supply, the J3 accepts the same wiring connection for either AC or DC operation)
- Conversion from 24-240Volt to only 12Volt is possible by replacing the installed power supply PCB with the power supply from the 12 VAC / VDC PCB power supply kit.

### OPTIONS AND ACCESSORIES

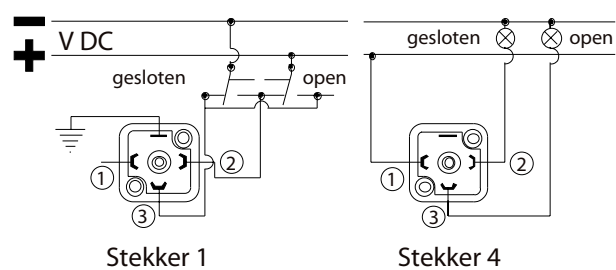
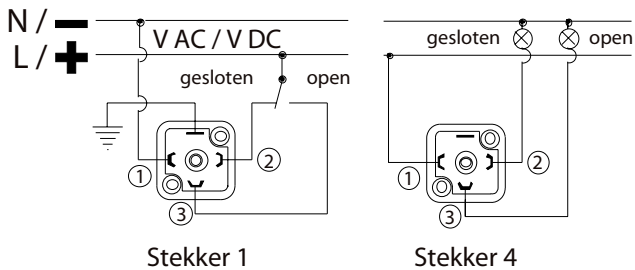
Security power unit BSR  
Working Angle (0°-180°, 0°-90°-180° and other on request)  
Potentiometer for feedback(1K, 5K of 10K)  
Positioner DPS(adjustable 0-10V or 4-20mA input and output)

# E85J4C 20NM



AC/DC 3 draads aansluiting

DC 2 draads aansluiting



**J4C-B, 20Nm, 12V AC/DC**  
B020 J+J Electric actuator type E85-J4C B 20Nm

Torque [Nm]		Type	Variant	Multi Flange	Square	Voltage	IP	Dimension [mm] and weight [kg]				Order Code
Turn	Start							L	B	H	Weight	
20	25	B020	Standard	F03 / F04 / F05	14	12V AC/DC	67	181	110	169	1,80	981S4B000101

**J4C-S, 20Nm, 24-240V AC/DC**  
S020 J+J Electric actuator type E85-J4C S 20Nm

Torque [Nm]		Type	Variant	Multi Flange	Square	Voltage	IP	Dimension [mm] and weight [kg]				Order Code
Turn	Start							L	B	H	Weight	
20	25	S020	Standard	F03 / F04 / F05	14	24-240V AC/DC	67	181	110	169	1,50	981S4C000109