

E85J3C S 55NM



E85J3C S 55Nm

E85 J3C S55 Nm, J+J actuator
Compact quarter turn electric actuator
for mounting on valves.
Mounting according to ISO 5211/DIN 3337.

VOLTAGE RANGE

S (-0%/+5%): 24-240V AC/DC
(Voltage range Multi Voltage)
L (-0%/+5%): 12V AC/DC
(Voltage range 12Volt)

OPERATING TIME

- 14 sec 90°

TORQUE

Maximum break torque: 60Nm
Torque: 55Nm

TEMPERATURE RANGE

From -20°C to 70°C

MATERIALS / CONNECTION

Mechanical connection: Multi Flange F05/F07
Double Square: 14 or 17 mm
Housing: Nylon (PA 6)
Weight: 2,4 kg

POWER CONSUMPTION

L:
12 VAC 1900 mA 45,6 Watt
24 VDC 900 mA 21,6 Watt
H:
110 V 180 mA 19,8 Watt
220 V 85 mA 18,7 Watt

ELECTRICAL DATA

Duty rating: 75%
Protection IEC 60529 rating: IP67
Micro Switches: 4 pieces SPDT
Heating Resistor: 4 Watt
Electrical Connection: DIN 43650 ISO 4400 C-192/C-193

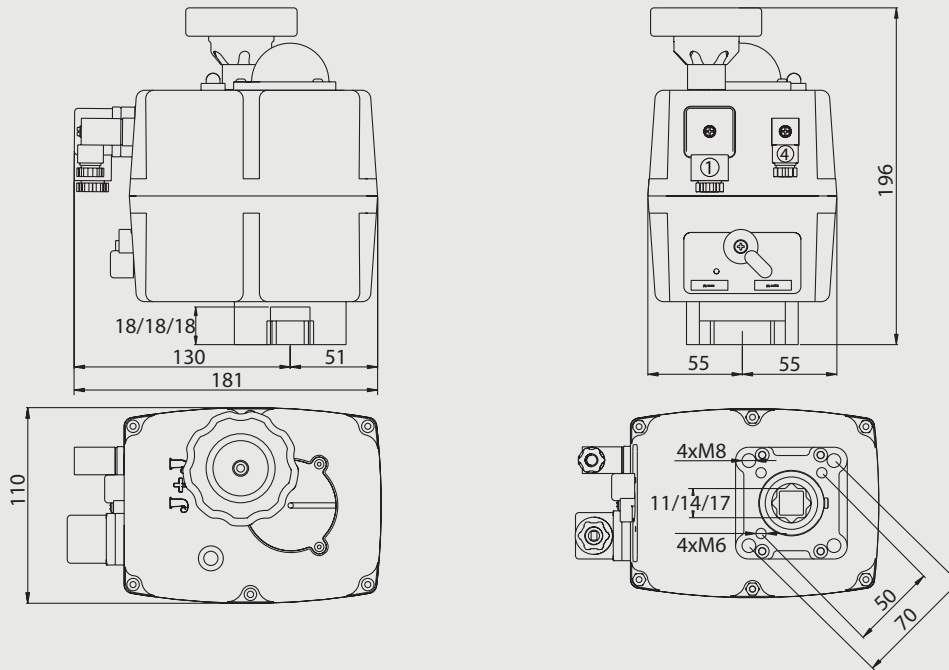
SOME ADVANTAGES

- ETL (Electrical torque limiter).
- AVS (Automatic voltage recognition).
- ATC (Automatic temperature control to avoid condensation).
- MO (Manual emergency override).
- VFC (2 integrated potential free microswitches for feedback).
- Working angle free adjustable between 90° en 270°.
- VCO (A continues lighting 2 color LED indicates normal operation of the actuator).
- PES (Protected electrical supply, the J3 accepts the same wiring connection for either AC or DC operation).

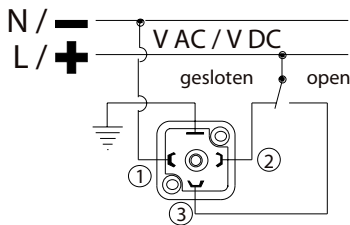
OPTIONS AND ACCESSORIES

Security power unit BSR
Working Angle (0°-180°, 0°-90°-180° and other on request)
Potentiometer for feedback(1K, 5K of 10K)
Positioner DPS(adjustable 0-10V or 4-20mA input and output)

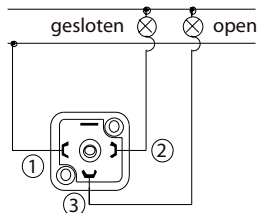
E85J3C S 55NM



AC/DC 3 draads aansluiting

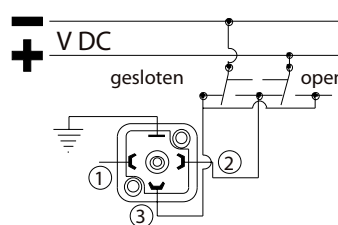


Stekker 1

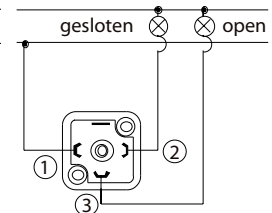


Stekker 4

DC 2 draads aansluiting



Stekker 1



Stekker 4

J3C-S, 55Nm, 12V AC/DC
SL055 J+J Electric actuator type E85-J3C 55Nm

Torque [Nm]	Type	Variant	Multi Flange	Square	Voltage	IP	Dimension [mm] and weight [kg]				Order Code	
							L	B	H	Weight		
55 Turn	60 Start	SL055	Standard	F05 / F07	17	12V AC/DC	67	181	110	196	2,40	981SCS000301

J3C-S, 55Nm, 24-240V AC/DC
H055 J+J Electric actuator type E85-J3C S 55Nm

Torque [Nm]	Type	Variant	Multi Flange	Square	Voltage	IP	Dimension [mm] and weight [kg]				Order Code	
							L	B	H	Weight		
55 Turn	60 Start	S055	Standard	F05 / F07	14	24-240V AC/DC	67	181	110	196	2,40	981SCS000309