



E85J3C 300Nm

E85 J3C 300Nm, J+J actuator
Compact quarter turn electric actuator
for mounting on valves.
Mounting according ISO 5211/DIN 3337.

VOLTAGE RANGE

L (-0%/+5%): 24V AC/DC
(Voltage range low)
H (+/-5%): 85-240V AC/DC
(Voltage range high)

OPERATING TIME

- L: 58 sec 90°
- H: 58 sec 90°

TORQUE

Maximum break torque: 350Nm
Torque: 300Nm

TEMPERATURE RANGE

From -20°C to 70°C

MATERIALS / CONNECTION

Mechanical connection: Multi Flange F07/F10
Double Square: 17 or 22 mm
Housing: Nylon (PA 6)
Weight: 5,2 kg

POWER CONSUMPTION

L:
24 VDC 900 mA 21,6 Watt
H:
110 V 180 mA 77 Watt
220 V 85 mA 50,6 Watt

ELECTRICAL DATA

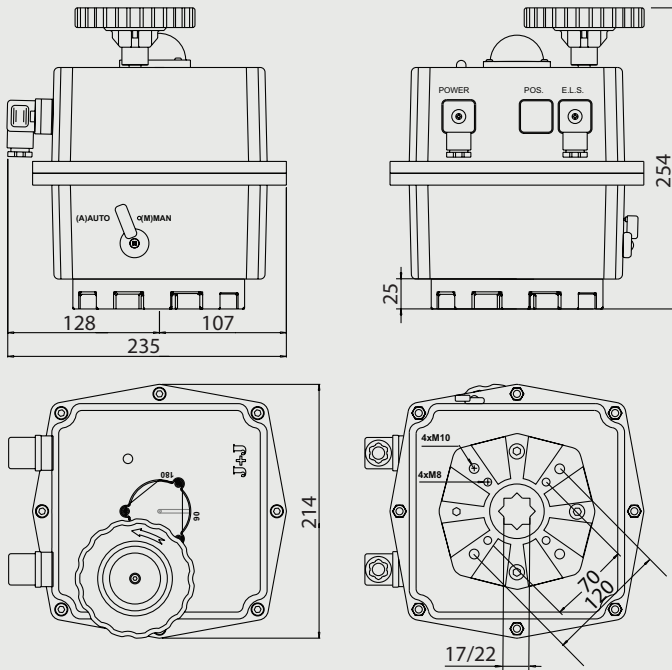
Duty rating: 75%
Protection IEC 60529 rating: IP67
Micro Switches: 4 pieces SPDT
Heating Resistor: 4 Watt
Electrical Connection: DIN 43650 ISO 4400 C-192/C-193

SOME ADVANTAGES

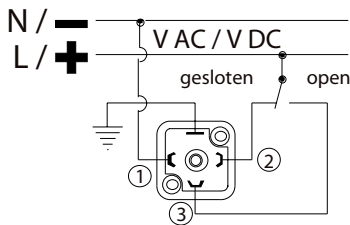
- ETL (Electrical torque limiter).
- AVS (Automatic voltage recognition).
- ATC (Automatic temperature control to avoid condensation).
- MO (Manual emergency override).
- VFC (2 integrated potential free microswitches for feedback).
- Working angle free adjustable between 90° en 270°.
- VCO (A continues lighting LED indicates normal operation of the actuator).
- PES (Protected electrical supply, the J3 accepts the same wiring connection for either AC or DC operation).

OPTIONS AND ACCESSORIES

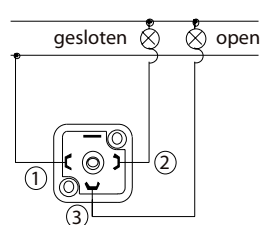
Security power unit BSR
Working Angle (0°-180°, 0°-90°-180° and other on request)
Potentiometer for feedback(1K, 5K of 10K)
Positioner DPS(adjustable 0-10V or 4-20mA input and output)



AC/DC 3 draads aansluiting

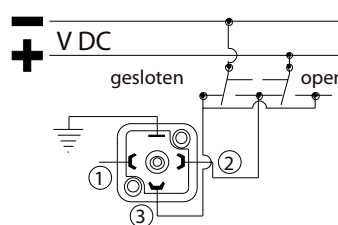


Stekker 1

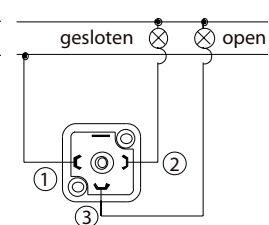


Stekker 4

DC 2 draads aansluiting



Stekker 1



Stekker 4

J3C, 300Nm, 24V AC/DC L300 J+J Electric actuator type E85-J3 300Nm

Torque [Nm]		Type	Variant	Multi Flange	Square	Voltage	IP	Dimension [mm] and weight [kg]				Order Code
Turn	Start							L	B	H	Weight	
300	350	L300	Standard	F07 / F10	22	24V AC/DC	67	235	214	254	5,20	981L300S00601

J3C, 300Nm, 85-240V AC/DC H300 J+J Electric actuator type E85-J3 300Nm

Torque [Nm]		Type	Variant	Multi Flange	Square	Voltage	IP	Dimension [mm] and weight [kg]				Order Code
Turn	Start							L	B	H	Weight	
300	350	H300	Standard	F07 / F10	22	85-240V AC/DC	67	235	214	254	5,20	981H300S00609