



**E85J3C 55Nm**

E85 J3C 55Nm, J+J actuator  
Compact quarter turn electric actuator  
for mounting on valves.  
Mounting according ISO 5211/DIN 3337.

**VOLTAGE RANGE**

L (-0%/+5%): 12-24V AC/DC  
(Voltage range low)  
H (+/-5%): 85-240V AC/DC  
(Voltage range high)

**OPERATING TIME**

- L: 16 sec 90°
- H: 14 sec 90°

**TORQUE**

Maximum break torque: 60Nm  
Torque: 55Nm

**TEMPERATURE RANGE**

From -20°C to 70°C

**MATERIALS / CONNECTION**

Mechanical connection: Multi Flange F05/F07  
Double Square: 14 or 17 mm  
Housing: Nylon (PA 6)  
Weight: 2,4 kg

**POWER CONSUMPTION**

L:  
12 VAC 1900 mA 45,6 Watt  
24 VDC 900 mA 21,6 Watt  
H:  
110 V 180 mA 19,8 Watt  
220 V 85 mA 18,7 Watt

**ELECTRICAL DATA**

Duty rating: 75%  
Protection IEC 60529 rating: IP67  
Micro Switches: 4 pieces SPDT  
Heating Resistor: 4 Watt  
Electrical Connection: DIN 43650 ISO 4400 C-192/C-193

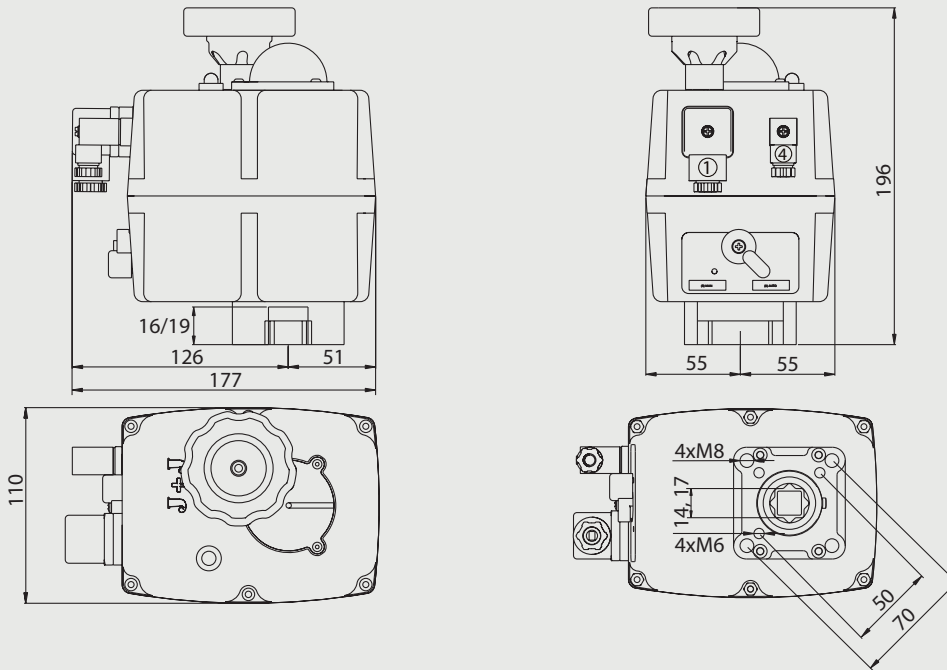
**SOME ADVANTAGES**

- ETL (Electrical torque limiter).
- AVS (Automatic voltage recognition).
- ATC (Automatic temperature control to avoid condensation).
- MO (Manual emergency override).
- VFC (2 integrated potential free microswitches for feedback).
- Working angle free adjustable between 90° en 270°.
- VCO (A continues lighting LED indicates normal operation of the actuator).
- PES (Protected electrical supply, the J3 accepts the same wiring connection for either AC or DC operation).

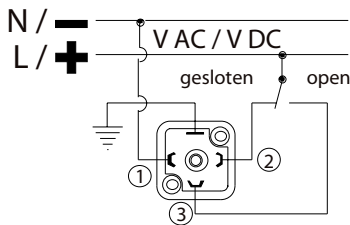
**OPTIONS AND ACCESSORIES**

Security power unit BSR  
Working Angle (0°-180°, 0°-90°-180° and other on request)  
Potentiometer for feedback(1K, 5K of 10K)  
Positioner DPS(adjustable 0-10V or 4-20mA input and output)

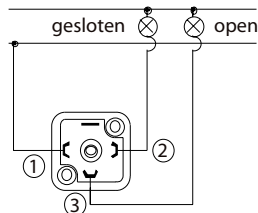
# E85J3C 55NM



AC/DC 3 draads aansluiting

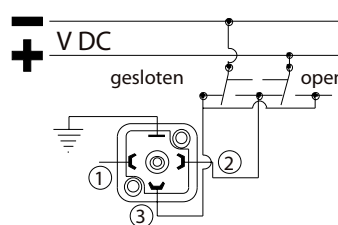


Stekker 1

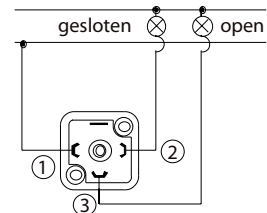


Stekker 4

DC 2 draads aansluiting



Stekker 1



Stekker 4

**J3C, 55Nm, 12-24V AC/DC**  
L055 J+J Electric actuator type E85-J3C 55Nm

Torque [Nm]	Type	Variant	Multi Flange	Square	Voltage	IP	Dimension [mm] and weight [kg]				Order Code	
							L	B	H	Weight		
55	60	L055	Standard	F05 / F07	17	12-24V AC/DC	67	181	110	196	2,40	981L05500301

**J3C, 55Nm, 85-240V AC/DC**  
H055 J+J Electric actuator type E85-J3C 55Nm

Torque [Nm]	Type	Variant	Multi Flange	Square	Voltage	IP	Dimension [mm] and weight [kg]				Order Code	
							L	B	H	Weight		
55	60	H055	Standard	F05 / F07	14	85-240V AC/DC	67	181	110	196	2,40	981H05500109