

E85J3C 20NM



E85J3C 20Nm

E85 J3C 20Nm, J+J actuator
Compact quarter turn electric actuator
for mounting on valves.
Mounting according ISO 5211/DIN 3337.

VOLTAGE RANGE

L (-0%/+5%): 12-24V AC/DC
(Voltage range low)
H (+/-5%): 85-240V AC/DC
(Voltage range high)

OPERATING TIME

- L: 12 sec 90°
- H: 11 sec 90°

TORQUE

Maximum break torque: 25Nm
Torque: 20Nm

TEMPERATURE RANGE

From -20°C to 70°C

MATERIALS / CONNECTION

Mechanical connection: Multi Flange F03/F04/F05
Double Square: 9, 11 or 14 mm
Housing: Nylon (PA 6)
Weight: 1,5 kg

POWER CONSUMPTION

L:
12 VAC 1300 mA 15,6 Watt
24 VDC 1000 mA 24 Watt
H:
110 V 180 mA 19,8 Watt
220 V 85 mA 18,7 Watt

ELECTRICAL DATA

Duty rating: 75%
Protection IEC 60529 rating: IP67
Micro Switches: 4 pieces SPDT
Heating Resistor: 4 Watt
Electrical Connection: DIN 43650 ISO 4400 C-192/C-193

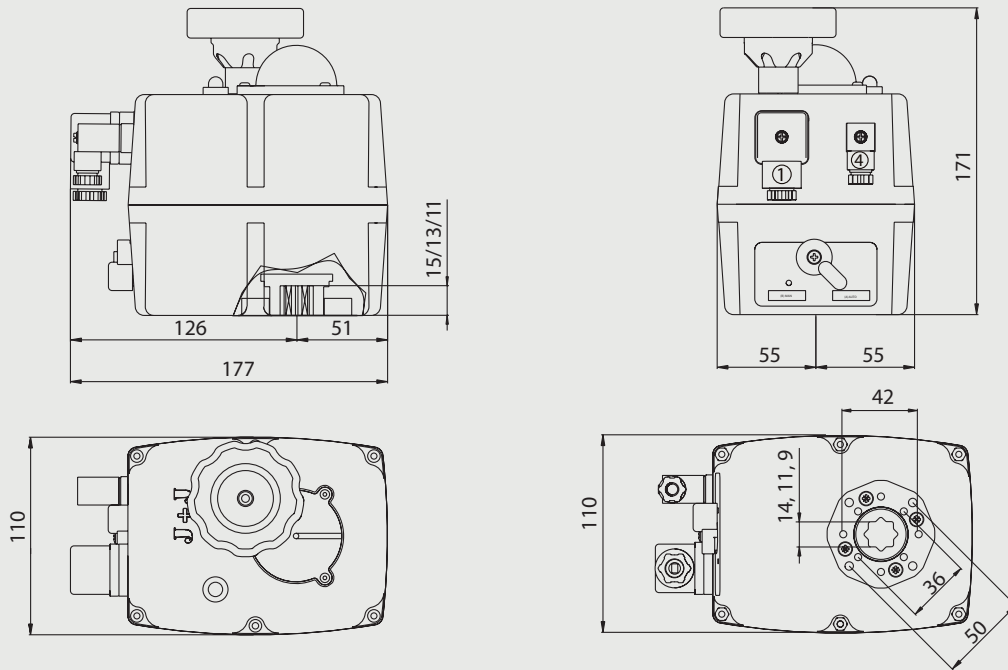
SOME ADVANTAGES

- ETL (Electrical torque limiter).
- AVS (Automatic voltage recognition).
- ATC (Automatic temperature control to avoid condensation).
- MO (Manual emergency override).
- VFC (2 integrated potential free microswitches for feedback).
- Working angle free adjustable between 90° en 270°.
- VCO (A continues lighting LED indicates normal operation of the actuator).
- PES (Protected electrical supply, the J3 accepts the same wiring connection for either AC or DC operation).

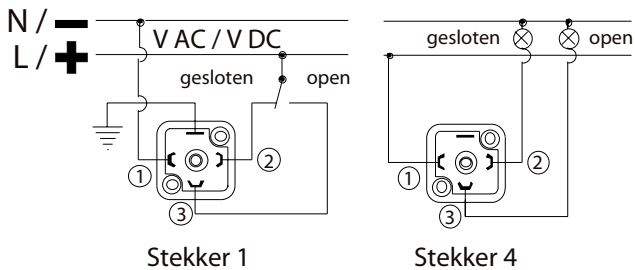
OPTIONS AND ACCESSORIES

Security power unit BSR
Working Angle (0°-180°, 0°-90°-180° and other on request)
Potentiometer for feedback(1K, 5K of 10K)
Positioner DPS(adjustable 0-10V or 4-20mA input and output)

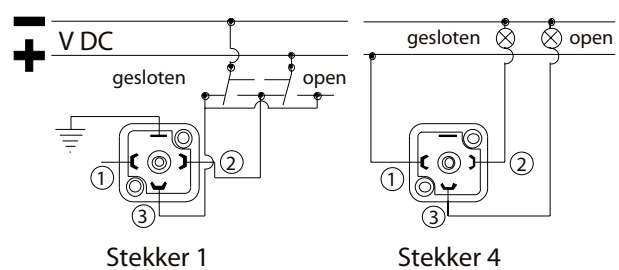
E85J3C 20NM



AC/DC 3 draads aansluiting



DC 2 draads aansluiting



J3C, 20Nm, 12-24V AC/DC
L020 J+J Electric actuator type E85-J3C 20Nm

Torque [Nm]		Type	Variant	Multi Flange	Square	Voltage	IP	Dimension [mm] and weight [kg]				Order Code
Turn	Start							L	B	H	Weight	
20	25	L020	Standard	F03 / F04 / F05	14	12-24V AC/DC	67	181	110	169	1,90	981L020C00101

J3C, 20Nm, 85-240V AC/DC
H020 J+J Electric actuator type E85-J3C 20Nm

Torque [Nm]		Type	Variant	Multi Flange	Square	Voltage	IP	Dimension [mm] and weight [kg]				Order Code
Turn	Start							L	B	H	Weight	
20	25	H020	Standard	F03 / F04 / F05	14	85-240V AC/DC	67	181	110	169	1,90	981H020C00109