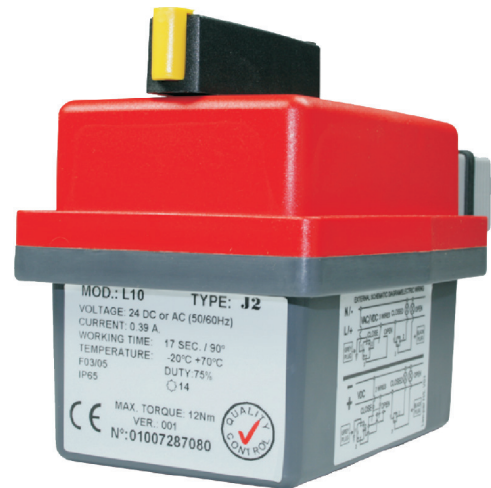


# E85J2 10NM



## E85J2 10Nm

E85 J2 10Nm, J+J actuator  
Compact quarter turn electric actuator  
for mounting on valves.  
Mounting according ISO 5211/DIN 3337.

### VOLTAGE RANGE

L (-0%/+5%): 24V AC/DC  
(Voltage range low)  
H (+/-5%): 110/240V AC/DC  
(Voltage range high)

### OPERATING TIME

- L: 17 sec 90°
- H: 17 sec 90°

### TORQUE

Maximum break torque: 12Nm  
Torque: 10Nm

### TEMPERATURE RANGE

From -20°C to 70°C

### MATERIALS / CONNECTION

Mechanical connection: Multi Flange F03/F04/F05  
Double Square: 9, 11 or 14 mm  
Housing: Nylon (PA 6)  
Weight: 0,9 kg

### POWER CONSUMPTION

L:  
24 VAC 200 mA 4,8 Watt  
24 VDC 200 mA 4,8 Watt  
H:  
110 V 182 mA 20 Watt  
220 V 182 mA 40 Watt

### ELECTRICAL DATA

Duty rating: 75%  
Protection IEC 60529 rating: IP65  
Micro Switches: 4 pieces SPDT  
Heating Resistor: 4 Watt  
Electrical Connection: DIN 43650 ISO 4400 C-192/C-193

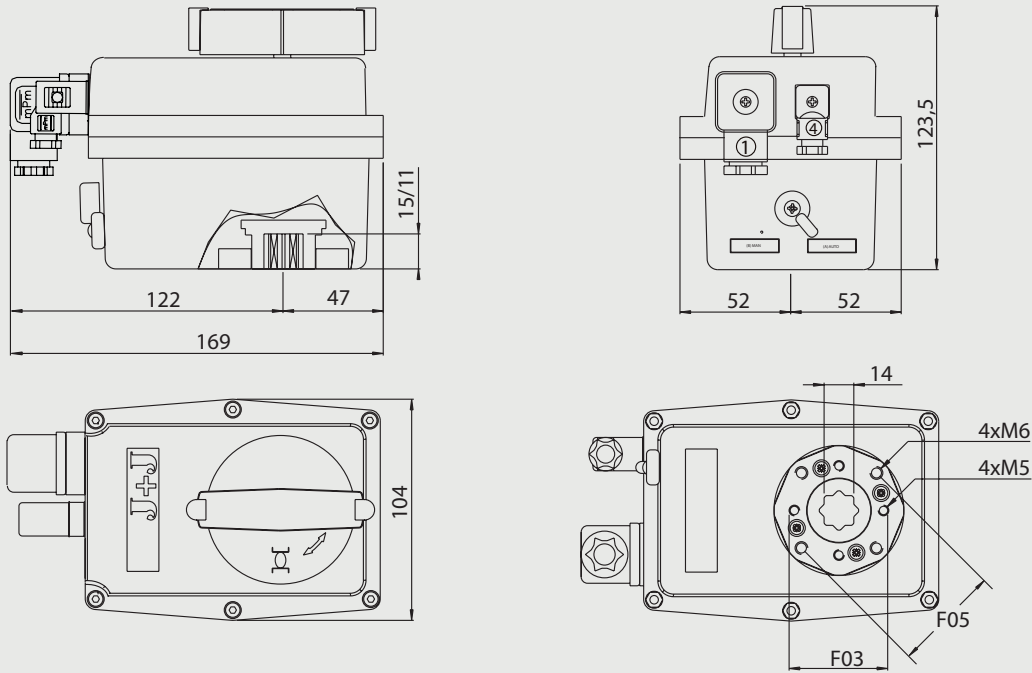
### SOME ADVANTAGES

- ETL (Electrical torque limiter).
- AVS (Automatic voltage recognition).
- ATC (Automatic temperature control to avoid condensation).
- MO (Manual emergency override).
- VFC (2 integrated potential free microswitches for feedback).
- Working angle free adjustable between 90° en 270°.
- PES (Protected electrical supply, the J2 accepts the same wiring connection for either AC or DC operation).

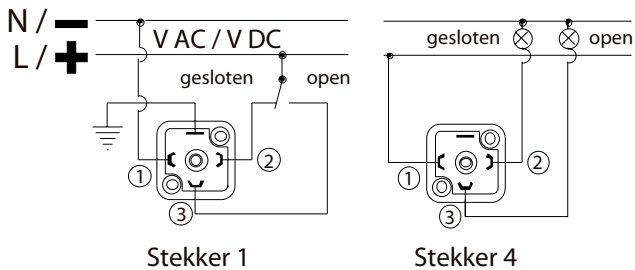
### OPTIONS AND ACCESSORIES

Security power unit BSR  
Working Angle (0°-180°, 0°-90°-180° and other on request)

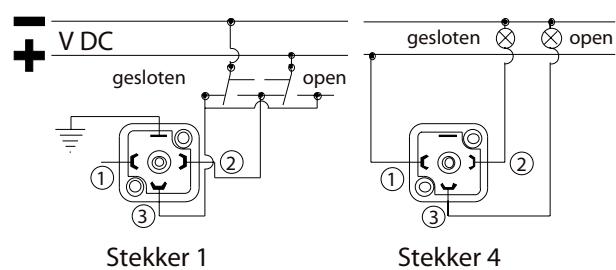
# E85J2 10NM



AC/DC 3 draads aansluiting



DC 2 draads aansluiting



**J2, 20Nm, 12-24V AC/DC**  
L010 J+J Electric actuator type E85-J2 10Nm

Torque [Nm]		Type	Variant	Multi Flange	Square	Voltage	IP	Dimension [mm] and weight [kg]				Order Code
Turn	Start							L	B	H	Weight	
10	12	L010	Standard	F03 / F05	14	12-24V AC/DC	65	169	104	123,5	0,90	981L01000501

**J2, 20Nm, 85-240V AC/DC**  
H010 J+J Electric actuator type E85-J2 10Nm

Torque [Nm]		Type	Variant	Multi Flange	Square	Voltage	IP	Dimension [mm] and weight [kg]				Order Code
Turn	Start							L	B	H	Weight	
10	12	H010	Standard	F03 / F05	14	110+240V/ACDC	65	169	104	123,5	0,90	981H01000509