

PRESSURE GAUGE 7014



Pressure gauge 7014

Pressure gauge ET 7014 Stainless steel (Case) bourdon tube pressure gauge with brass back entry connection.

CASE DIAMETERS

40 - 50 - 63 - 100mm

CONNECTION

- Back Entry
- Male thread according UNI EN 10226 (DIN ISO 7/1)

OPERATING PRESSURE

-1 to +0
0 to 400 bar
Steady: 75% of full scale value
Fluctuating: 60% of full scale value
Short time: full scale value
Over pressure limit: 120% of max scale value

TEMPERATURE RANGE

Operating temperature: Ambient: -20 to +60° C
Medium temperature: 60°C maximum
Storage temperature: -20 to 60°C
Temperature effect: Deviation from reference temperature (+20°C)
±0,04%/1K of the span

MATERIALS

Case: Stainless steel 1.4301
Window: Clear plastic Ø100mm class 1,0 clear glass
Dial: White aluminium
Pointer: Black aluminium
Pressure connection: Cu-alloy
Pressure element: Bourdon tube Cu-alloy soft soldered
< 60 bar C-type
>60 bar helical type
Movement: Cu-alloy

ACCURACY CLASS

class 2,5, 1,6, 1,0 to the full scale value
Ø40, Ø50, Ø63 class 2,5
Ø100 1,6 or 1,0 to the full scale value

MOUNTING

BSP thread entry below.
Pressure gauges must be mounted vertically. Other arrangements (forwards, backwards, lying down, sideways, etc.) are only possible if calibration has been taken into account here.

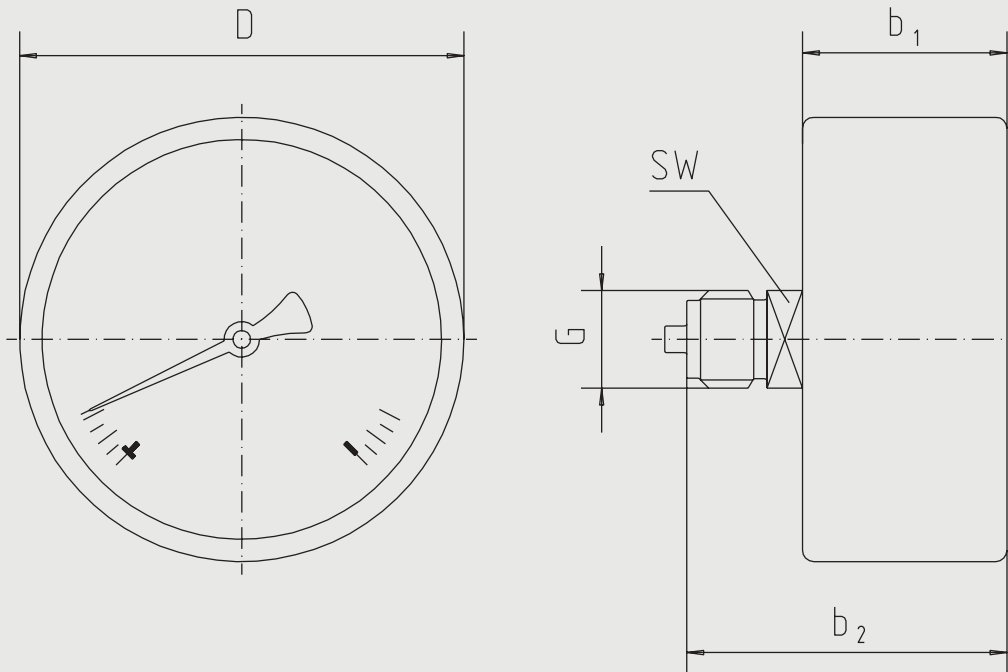
DESIGN

EN 837-1

DEGREE OF PROTECTION

IP 31 according EN 60 529 / IEC 529

PRESSURE GAUGE 7014



40MM, G1/8 back entry
Pressure gauge diameter Ø40mm Stainless Steel case



Case size [mm] Connection		Scale [bar]	Material connec- tion	Material Window	Class	Temperature	Dimension [mm] and weight [kg]					Order Code
ØD	G						b1	b2	D	SW	Weight	
40	G1/8	-1 + 0	Brass	Plastic	2,5	-20° - +60°C	24,2	40,2	39,2	11	0,048	1M244000
40	G1/8	-1 + 0,6	Brass	Plastic	2,5	-20° - +60°C	24,2	40,2	39,2	11	0,048	1M244001
40	G1/8	-1 + 1,5	Brass	Plastic	2,5	-20° - +60°C	24,2	40,2	39,2	11	0,048	1M244002
40	G1/8	-1 + 3	Brass	Plastic	2,5	-20° - +60°C	24,2	40,2	39,2	11	0,048	1M244003
40	G1/8	-1 + 5	Brass	Plastic	2,5	-20° - +60°C	24,2	40,2	39,2	11	0,048	1M244004
40	G1/8	-1 + 9	Brass	Plastic	2,5	-20° - +60°C	24,2	40,2	39,2	11	0,048	1M244005
40	G1/8	-1 + 15	Brass	Plastic	2,5	-20° - +60°C	24,2	40,2	39,2	11	0,048	1M244006
40	G1/8	0 - 0,6	Brass	Plastic	2,5	-20° - +60°C	24,2	40,2	39,2	11	0,048	1M244007
40	G1/8	0 - 1	Brass	Plastic	2,5	-20° - +60°C	24,2	40,2	39,2	11	0,048	1M244008
40	G1/8	0 - 1,6	Brass	Plastic	2,5	-20° - +60°C	24,2	40,2	39,2	11	0,048	1M244009
40	G1/8	0 - 2,5	Brass	Plastic	2,5	-20° - +60°C	24,2	40,2	39,2	11	0,048	1M244010
40	G1/8	0 - 4	Brass	Plastic	2,5	-20° - +60°C	24,2	40,2	39,2	11	0,048	1M244011
40	G1/8	0 - 6	Brass	Plastic	2,5	-20° - +60°C	24,2	40,2	39,2	11	0,048	1M244012
40	G1/8	0 - 10	Brass	Plastic	2,5	-20° - +60°C	24,2	40,2	39,2	11	0,048	1M244013
40	G1/8	0 - 16	Brass	Plastic	2,5	-20° - +60°C	24,2	40,2	39,2	11	0,048	1M244016
40	G1/8	0 - 25	Brass	Plastic	2,5	-20° - +60°C	24,2	40,2	39,2	11	0,048	1M244025
40	G1/8	0 - 40	Brass	Plastic	2,5	-20° - +60°C	24,2	40,2	39,2	11	0,048	1M244040
40	G1/8	0 - 60	Brass	Plastic	2,5	-20° - +60°C	24,2	40,2	39,2	11	0,048	1M244060
40	G1/8	0 - 100	Brass	Plastic	2,5	-20° - +60°C	24,2	40,2	39,2	11	0,048	1M244100
40	G1/8	0 - 160	Brass	Plastic	2,5	-20° - +60°C	24,2	40,2	39,2	11	0,048	1M244160
40	G1/8	0 - 250	Brass	Plastic	2,5	-20° - +60°C	24,2	40,2	39,2	11	0,048	1M244250
40	G1/8	0 - 400	Brass	Plastic	2,5	-20° - +60°C	24,2	40,2	39,2	11	0,048	1M244400

PRESSURE GAUGE 7014

50MM, G1/4 back entry
Pressure gauge diameter Ø50mm Stainless Steel case



Case size [mm] Connection		Scale [bar]	Material connec- tion	Material Window	Class	Temperature	Dimension [mm] and weight [kg]					Order Code
ØD	G						b1	b2	D	SW	Weight	
50	G1/4	-1 + 0	Brass	Plastic	2,5	-20° - +60°C	27,5	46,0	51,0	14	0,091	1M245000
50	G1/4	-1 + 0,6	Brass	Plastic	2,5	-20° - +60°C	27,5	46,0	51,0	14	0,091	1M245001
50	G1/4	-1 + 1,5	Brass	Plastic	2,5	-20° - +60°C	27,5	46,0	51,0	14	0,091	1M245002
50	G1/4	-1 + 3	Brass	Plastic	2,5	-20° - +60°C	27,5	46,0	51,0	14	0,091	1M245003
50	G1/4	-1 + 5	Brass	Plastic	2,5	-20° - +60°C	27,5	46,0	51,0	14	0,091	1M245004
50	G1/4	-1 + 9	Brass	Plastic	2,5	-20° - +60°C	27,5	46,0	51,0	14	0,091	1M245005
50	G1/4	-1 + 15	Brass	Plastic	2,5	-20° - +60°C	27,5	46,0	51,0	14	0,091	1M245006
50	G1/4	0 - 0,6	Brass	Plastic	2,5	-20° - +60°C	27,5	46,0	51,0	14	0,091	1M245007
50	G1/4	0 - 1	Brass	Plastic	2,5	-20° - +60°C	27,5	46,0	51,0	14	0,091	1M245008
50	G1/4	0 - 1,6	Brass	Plastic	2,5	-20° - +60°C	27,5	46,0	51,0	14	0,091	1M245009
50	G1/4	0 - 2,5	Brass	Plastic	2,5	-20° - +60°C	27,5	46,0	51,0	14	0,091	1M245010
50	G1/4	0 - 4	Brass	Plastic	2,5	-20° - +60°C	27,5	46,0	51,0	14	0,091	1M245011
50	G1/4	0 - 10	Brass	Plastic	2,5	-20° - +60°C	27,5	46,0	51,0	14	0,091	1M245013
50	G1/4	0 - 16	Brass	Plastic	2,5	-20° - +60°C	27,5	46,0	51,0	14	0,091	1M245016
50	G1/8	0 - 25	Brass	Plastic	2,5	-20° - +60°C	27,5	46,0	51,0	14	0,091	1M245025
50	G1/4	0 - 40	Brass	Plastic	2,5	-20° - +60°C	27,5	46,0	51,0	14	0,091	1M245040
50	G1/8	0 - 60	Brass	Plastic	2,5	-20° - +60°C	27,5	46,0	51,0	14	0,091	1M245060
50	G1/4	0 - 100	Brass	Plastic	2,5	-20° - +60°C	27,5	46,0	51,0	14	0,091	1M245100
50	G1/4	0 - 160	Brass	Plastic	2,5	-20° - +60°C	27,5	46,0	51,0	14	0,091	1M245160
50	G1/4	0 - 250	Brass	Plastic	2,5	-20° - +60°C	27,5	46,0	51,0	14	0,091	1M245250
50	G1/4	0 - 400	Brass	Plastic	2,5	-20° - +60°C	27,5	46,0	51,0	14	0,091	1M245400

PRESSURE GAUGE 7014

63MM, G1/4 back entry
Pressure gauge diameter Ø63mm Stainless Steel case



Case size [mm] Connection		Scale [bar]	Material connec- tion	Material Window	Class	Temperature	Dimension [mm] and weight [kg]					Order Code
ØD	G						b1	b2	D	SW	Weight	
63	G1/4	-1 + 0	Brass	Plastic	2,5	-20° - +60°C	27,2	52,0	63,0	14	0,102	1M246000
63	G1/4	-1 + 0,6	Brass	Plastic	2,5	-20° - +60°C	27,2	52,0	63,0	14	0,102	1M246001
63	G1/4	-1 + 1,5	Brass	Plastic	2,5	-20° - +60°C	27,2	52,0	63,0	14	0,102	1M246002
63	G1/4	-1 + 3	Brass	Plastic	2,5	-20° - +60°C	27,2	52,0	63,0	14	0,102	1M246003
63	G1/4	-1 + 5	Brass	Plastic	2,5	-20° - +60°C	27,2	52,0	63,0	14	0,102	1M246004
63	G1/4	-1 + 9	Brass	Plastic	2,5	-20° - +60°C	27,2	52,0	63,0	14	0,102	1M246005
63	G1/4	-1 + 15	Brass	Plastic	2,5	-20° - +60°C	27,2	52,0	63,0	14	0,102	1M246006
63	G1/4	0 - 0,6	Brass	Plastic	2,5	-20° - +60°C	27,2	52,0	63,0	14	0,102	1M246007
63	G1/4	0 - 1	Brass	Plastic	2,5	-20° - +60°C	27,2	52,0	63,0	14	0,102	1M246008
63	G1/4	0 - 1,6	Brass	Plastic	2,5	-20° - +60°C	27,2	52,0	63,0	14	0,102	1M246009
63	G1/4	0 - 2,5	Brass	Plastic	2,5	-20° - +60°C	27,2	52,0	63,0	14	0,102	1M246010
63	G1/4	0 - 4	Brass	Plastic	2,5	-20° - +60°C	27,2	52,0	63,0	14	0,102	1M246011
63	G1/4	0 - 6	Brass	Plastic	2,5	-20° - +60°C	27,2	52,0	63,0	14	0,102	1M246012
63	G1/4	0 - 10	Brass	Plastic	2,5	-20° - +60°C	27,2	52,0	63,0	14	0,102	1M246013
63	G1/4	0 - 16	Brass	Plastic	2,5	-20° - +60°C	27,2	52,0	63,0	14	0,102	1M246016
63	G1/4	0 - 25	Brass	Plastic	2,5	-20° - +60°C	27,2	52,0	63,0	14	0,102	1M246025
63	G1/4	0 - 40	Brass	Plastic	2,5	-20° - +60°C	27,2	52,0	63,0	14	0,102	1M246040
63	G1/4	0 - 60	Brass	Plastic	2,5	-20° - +60°C	27,2	52,0	63,0	14	0,102	1M246060
63	G1/4	0 - 100	Brass	Plastic	2,5	-20° - +60°C	27,2	52,0	63,0	14	0,102	1M246100
63	G1/4	0 - 160	Brass	Plastic	2,5	-20° - +60°C	27,2	52,0	63,0	14	0,102	1M246160
63	G1/4	0 - 250	Brass	Plastic	2,5	-20° - +60°C	27,2	52,0	63,0	14	0,102	1M246250
63	G1/4	0 - 400	Brass	Plastic	2,5	-20° - +60°C	27,2	52,0	63,0	14	0,102	1M246400

PRESSURE GAUGE 7014

100MM, G1/2 back entry, Class 1,6
Pressure gauge diameter Ø100mm Stainless Steel case



Case size [mm] Connection		Scale [bar]	Material connec- tion	Material Window	Class	Temperature	Dimension [mm] and weight [kg]					Order Code
ØD	G						b1	b2	D	SW	Weight	
100	G1/2	-1 + 0	Brass	Plastic	1,6	-20° - +60°C	28,0	49,0	99,0	22	0,315	1M248000
100	G1/2	0 - 1	Brass	Plastic	1,6	-20° - +60°C	28,0	49,0	99,0	22	0,315	1M248008
100	G1/2	0 - 1,6	Brass	Plastic	1,6	-20° - +60°C	28,0	49,0	99,0	22	0,315	1M248009
100	G1/2	0 - 2,5	Brass	Plastic	1,6	-20° - +60°C	28,0	49,0	99,0	22	0,315	1M248010
100	G1/2	0 - 4	Brass	Plastic	1,6	-20° - +60°C	28,0	49,0	99,0	22	0,315	1M248011
100	G1/2	0 - 6	Brass	Plastic	1,6	-20° - +60°C	28,0	49,0	99,0	22	0,315	1M248012
100	G1/2	0 - 10	Brass	Plastic	1,6	-20° - +60°C	28,0	49,0	99,0	22	0,315	1M248013
100	G1/2	0 - 16	Brass	Plastic	1,6	-20° - +60°C	28,0	49,0	99,0	22	0,315	1M248016
100	G1/2	0 - 25	Brass	Plastic	1,6	-20° - +60°C	28,0	49,0	99,0	22	0,315	1M248025
100	G1/2	0 - 40	Brass	Plastic	1,6	-20° - +60°C	28,0	49,0	99,0	22	0,315	1M248040
100	G1/2	0 - 60	Brass	Plastic	1,6	-20° - +60°C	28,0	49,0	99,0	22	0,315	1M248060
100	G1/2	0 - 100	Brass	Plastic	1,6	-20° - +60°C	28,0	49,0	99,0	22	0,315	1M248100
100	G1/2	0 - 160	Brass	Plastic	1,6	-20° - +60°C	28,0	49,0	99,0	22	0,315	1M248160
100	G1/2	0 - 250	Brass	Plastic	1,6	-20° - +60°C	28,0	49,0	99,0	22	0,315	1M248250
100	G1/2	0 - 400	Brass	Plastic	1,6	-20° - +60°C	28,0	49,0	99,0	22	0,315	1M248400
100	G1/2	0 - 600	Brass	Plastic	1,6	-20° - +60°C	28,0	49,0	99,0	22	0,315	1M248600

100MM, G1/2 back entry, Class 1,0
Pressure gauge diameter Ø100mm Stainless Steel case



Case size [mm] Connection		Scale [bar]	Material connec- tion	Material Window	Class	Temperature	Dimension [mm] and weight [kg]					Order Code
ØD	G						b1	b2	D	SW	Weight	
100	G1/2	-1 + 0	Brass	Glass	1,0	-20° - +60°C	28,0	49,0	99,0	22	0,315	1M249000
100	G1/2	-1 + 0,6	Brass	Glass	1,0	-20° - +60°C	28,0	49,0	99,0	22	0,315	1M249001
100	G1/2	-1 + 1,5	Brass	Glass	1,0	-20° - +60°C	28,0	49,0	99,0	22	0,315	1M249002
100	G1/2	-1 + 3	Brass	Glass	1,0	-20° - +60°C	28,0	49,0	99,0	22	0,315	1M249003
100	G1/2	-1 + 5	Brass	Glass	1,0	-20° - +60°C	28,0	49,0	99,0	22	0,315	1M249004
100	G1/2	-1 + 9	Brass	Glass	1,0	-20° - +60°C	28,0	49,0	99,0	22	0,315	1M249005
100	G1/2	-1 + 15	Brass	Glass	1,0	-20° - +60°C	28,0	49,0	99,0	22	0,315	1M249006
100	G1/2	0 - 0,6	Brass	Glass	1,0	-20° - +60°C	28,0	49,0	99,0	22	0,315	1M249007
100	G1/2	0 - 1	Brass	Glass	1,0	-20° - +60°C	28,0	49,0	99,0	22	0,315	1M249008
100	G1/2	0 - 1,6	Brass	Glass	1,0	-20° - +60°C	28,0	49,0	99,0	22	0,315	1M249009
100	G1/2	0 - 2,5	Brass	Glass	1,0	-20° - +60°C	28,0	49,0	99,0	22	0,315	1M249010
100	G1/2	0 - 4	Brass	Glass	1,0	-20° - +60°C	28,0	49,0	99,0	22	0,315	1M249011
100	G1/2	0 - 6	Brass	Glass	1,0	-20° - +60°C	28,0	49,0	99,0	22	0,315	1M249012
100	G1/2	0 - 10	Brass	Glass	1,0	-20° - +60°C	28,0	49,0	99,0	22	0,315	1M249013
100	G1/2	0 - 16	Brass	Glass	1,0	-20° - +60°C	28,0	49,0	99,0	22	0,315	1M249016
100	G1/2	0 - 25	Brass	Glass	1,0	-20° - +60°C	28,0	49,0	99,0	22	0,315	1M249025
100	G1/2	0 - 40	Brass	Glass	1,0	-20° - +60°C	30,7	49,0	99,0	22	0,315	1M249040
100	G1/2	0 - 60	Brass	Glass	1,0	-20° - +60°C	30,7	49,0	99,0	22	0,315	1M249060
100	G1/2	0 - 100	Brass	Glass	1,0	-20° - +60°C	30,7	49,0	99,0	22	0,315	1M249100
100	G1/2	0 - 160	Brass	Glass	1,0	-20° - +60°C	30,7	49,0	99,0	22	0,315	1M249160
100	G1/2	0 - 250	Brass	Glass	1,0	-20° - +60°C	30,7	49,0	99,0	22	0,315	1M249250
100	G1/2	0 - 400	Brass	Glass	1,0	-20° - +60°C	30,7	49,0	99,0	22	0,315	1M249400
100	G1/2	0 - 600	Brass	Glass	1,0	-20° - +60°C	30,7	49,0	99,0	22	0,315	1M249600
100	G1/2	0 - 1000	Brass	Glass	1,0	-20° - +60°C	30,7	49,0	99,0	22	0,315	1M243610