

# PRESSURE GAUGE 7011



## Pressure gauge 7011

Pressure gauge ET 7011 Stainless steel (Case) bourdon tube pressure gauge with brass bottom entry connection.

### CASE DIAMETERS

40 - 50 - 63 - 100mm

### CONNECTION

- Bottom Entry
- Male thread according UNI EN 10226 (DIN ISO 7/1)
- 
- 

### OPERATING PRESSURE

-1 to +0  
0 to 400 bar  
Steady: 75% of full scale value  
Fluctuating: 60% of full scale value  
Short time: full scale value  
Over pressure limit: 120% of max scale value

### TEMPERATURE RANGE

Operating temperature: Ambient: -20 to +60° C  
Medium temperature: 60°C maximum  
Storage temperature: -20 to 60°C  
Temperature effect: Deviation from reference temperature (+20°C)  
±0,04%/1K of the span

### MATERIALS

Case: Stainless steel 1.4301  
Window: Clear plastic Ø100mm class 1,0 clear glass  
Dial: White aluminium  
Pointer: Black aluminium  
Pressure connection: Cu-alloy  
Pressure element: Bourdon tube Cu-alloy soft soldered  
< 60 bar C-type  
>60 bar helical type  
Movement: Cu-alloy

### ACCURACY CLASS

class 2,5, 1,6, 1,0 to the full scale value  
Ø40, Ø50, Ø63 class 2,5  
Ø100 1,6 or 1,0 to the full scale value

### MOUNTING

BSP thread entry below.  
Pressure gauges must be mounted vertically. Other arrangements (forwards, backwards, lying down, sideways, etc.) are only possible if calibration has been taken into account here.

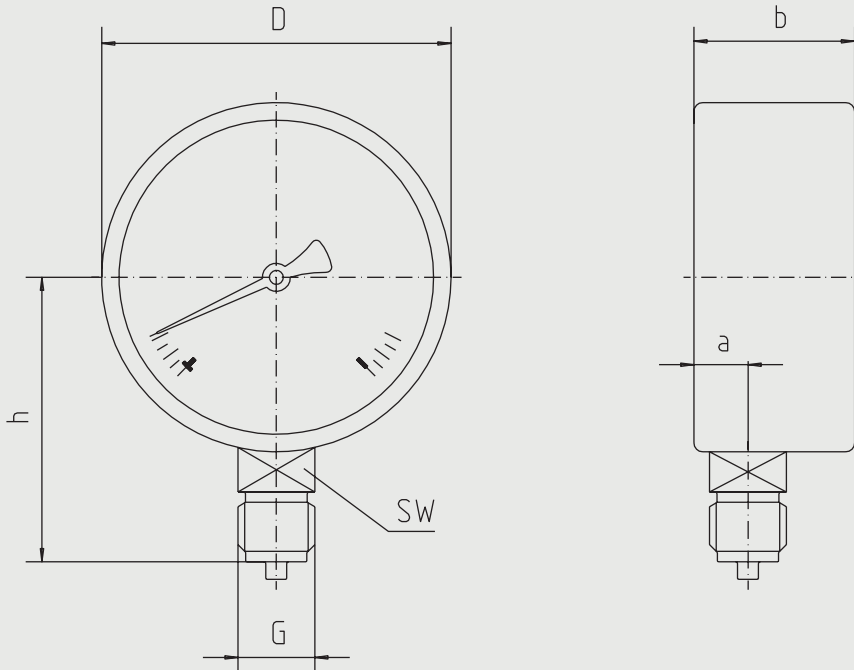
### DESIGN

EN 837-1

### DEGREE OF PROTECTION

IP 31 according EN 60 529 / IEC 529

# PRESSURE GAUGE 7011



### 40MM, G1/8 bottom entry

Pressure gauge diameter Ø40mm Stainless Steel case



Case size [mm] Connection		Scale [bar]	Material connec- tion	Material Window	Class	Temperature	Dimension [mm] and weight [kg]					Order Code
ØD	G						a	b	h	SW	Weight	
40	G1/8	-1 + 0	Brass	Plastic	2,5	-20° - +60°C	9	23,7	35	11	0,045	1M236000
40	G1/8	-1 + 1,5	Brass	Plastic	2,5	-20° - +60°C	9	23,7	35	11	0,045	1M236002
40	G1/8	-1 + 3	Brass	Plastic	2,5	-20° - +60°C	9	23,7	35	11	0,045	1M236003
40	G1/8	-1 + 5	Brass	Plastic	2,5	-20° - +60°C	9	23,7	35	11	0,045	1M236004
40	G1/8	-1 + 9	Brass	Plastic	2,5	-20° - +60°C	9	23,7	35	11	0,045	1M236005
40	G1/8	-1 + 15	Brass	Plastic	2,5	-20° - +60°C	9	23,7	35	11	0,045	1M236006
40	G1/8	0 - 1	Brass	Plastic	2,5	-20° - +60°C	9	23,7	35	11	0,045	1M236008
40	G1/8	0 - 2,5	Brass	Plastic	2,5	-20° - +60°C	9	23,7	35	11	0,045	1M236010
40	G1/8	0 - 4	Brass	Plastic	2,5	-20° - +60°C	9	23,7	35	11	0,045	1M236011
40	G1/8	0 - 6	Brass	Plastic	2,5	-20° - +60°C	9	23,7	35	11	0,045	1M236012
40	G1/8	0 - 10	Brass	Plastic	2,5	-20° - +60°C	9	23,7	35	11	0,045	1M236013
40	G1/8	0 - 16	Brass	Plastic	2,5	-20° - +60°C	9	23,7	35	11	0,045	1M236016
40	G1/8	0 - 25	Brass	Plastic	2,5	-20° - +60°C	9	23,7	35	11	0,045	1M236025
40	G1/8	0 - 40	Brass	Plastic	2,5	-20° - +60°C	9	23,7	35	11	0,045	1M236040
40	G1/8	0 - 60	Brass	Plastic	2,5	-20° - +60°C	9	23,7	35	11	0,045	1M236060
40	G1/8	0 - 100	Brass	Plastic	2,5	-20° - +60°C	9	23,7	35	11	0,045	1M236100
40	G1/8	0 - 160	Brass	Plastic	2,5	-20° - +60°C	9	23,7	35	11	0,045	1M236160
40	G1/8	0 - 250	Brass	Plastic	2,5	-20° - +60°C	9	23,7	35	11	0,045	1M236250
40	G1/8	0 - 400	Brass	Plastic	2,5	-20° - +60°C	9	23,7	35	11	0,045	1M236400

# PRESSURE GAUGE 7011

**50MM, G1/4 bottom entry**  
Pressure gauge diameter Ø50mm Stainless Steel case



Case size [mm] Connection		Scale [bar]	Material connec- tion	Material Window	Class	Temperature	Dimension [mm] and weight [kg]					Order Code
ØD	G						a	b	h	SW	Weight	
50	G1/4	-1 + 0	Brass	Plastic	2,5	-20° - +60°C	10	27,5	44	13	0,080	1M237000
50	G1/4	-1 + 0,6	Brass	Plastic	2,5	-20° - +60°C	10	27,5	44	13	0,080	1M237001
50	G1/4	-1 + 1,5	Brass	Plastic	2,5	-20° - +60°C	10	27,5	44	13	0,080	1M237002
50	G1/4	-1 + 3	Brass	Plastic	2,5	-20° - +60°C	10	27,5	44	13	0,080	1M237003
50	G1/4	-1 + 5	Brass	Plastic	2,5	-20° - +60°C	10	27,5	44	13	0,080	1M237004
50	G1/4	-1 + 9	Brass	Plastic	2,5	-20° - +60°C	10	27,5	44	13	0,080	1M237005
50	G1/4	-1 + 15	Brass	Plastic	2,5	-20° - +60°C	10	27,5	44	13	0,080	1M237006
50	G1/4	0 - 0,6	Brass	Plastic	2,5	-20° - +60°C	10	27,5	44	13	0,080	1M237007
50	G1/4	0 - 1	Brass	Plastic	2,5	-20° - +60°C	10	27,5	44	13	0,080	1M237008
50	G1/4	0 - 1,6	Brass	Plastic	2,5	-20° - +60°C	10	27,5	44	13	0,080	1M237009
50	G1/4	0 - 2,5	Brass	Plastic	2,5	-20° - +60°C	10	27,5	44	13	0,080	1M237010
50	G1/4	0 - 4	Brass	Plastic	2,5	-20° - +60°C	10	27,5	44	13	0,080	1M237011
50	G1/4	0 - 6	Brass	Plastic	2,5	-20° - +60°C	10	27,5	44	13	0,080	1M237012
50	G1/4	0 - 10	Brass	Plastic	2,5	-20° - +60°C	10	27,5	44	13	0,080	1M237013
50	G1/4	0 - 16	Brass	Plastic	2,5	-20° - +60°C	10	27,5	44	13	0,080	1M237016
50	G1/4	0 - 25	Brass	Plastic	2,5	-20° - +60°C	10	27,5	44	13	0,080	1M237025
50	G1/4	0 - 40	Brass	Plastic	2,5	-20° - +60°C	10	27,5	44	13	0,080	1M237040
50	G1/4	0 - 60	Brass	Plastic	2,5	-20° - +60°C	10	27,5	44	13	0,080	1M237060
50	G1/4	0 - 100	Brass	Plastic	2,5	-20° - +60°C	10	27,5	44	13	0,080	1M237100
50	G1/4	0 - 160	Brass	Plastic	2,5	-20° - +60°C	10	27,5	44	13	0,080	1M237160
50	G1/4	0 - 250	Brass	Plastic	2,5	-20° - +60°C	10	27,5	44	13	0,080	1M237250
50	G1/4	0 - 400	Brass	Plastic	2,5	-20° - +60°C	10	27,5	44	13	0,080	1M237400

# PRESSURE GAUGE 7011

**63MM, G1/4 bottom entry**  
Pressure gauge diameter Ø63mm Stainless Steel case



Case size [mm] Connection		Scale [bar]	Material connec- tion	Material Window	Class	Temperature	Dimension [mm] and weight [kg]					Order Code
ØD	G						a	b	h	SW	Weight	
63	G1/4	-1 + 0	Brass	Plastic	2,5	-20° - +60°C	10	28,0	51	14	0,093	1M238000
63	G1/4	-1 + 0,6	Brass	Plastic	2,5	-20° - +60°C	10	28,0	51	14	0,093	1M238001
63	G1/4	-1 + 1,5	Brass	Plastic	2,5	-20° - +60°C	10	28,0	51	14	0,093	1M238002
63	G1/4	-1 + 3	Brass	Plastic	2,5	-20° - +60°C	10	28,0	51	14	0,093	1M238003
63	G1/4	-1 + 5	Brass	Plastic	2,5	-20° - +60°C	10	28,0	51	14	0,093	1M238004
63	G1/4	-1 + 9	Brass	Plastic	2,5	-20° - +60°C	10	28,0	51	14	0,093	1M238005
63	G1/4	-1 + 15	Brass	Plastic	2,5	-20° - +60°C	10	28,0	51	14	0,093	1M238006
63	G1/4	0 - 0,6	Brass	Plastic	2,5	-20° - +60°C	10	28,0	51	14	0,093	1M238007
63	G1/4	0 - 1	Brass	Plastic	2,5	-20° - +60°C	10	28,0	51	14	0,093	1M238008
63	G1/4	0 - 1,6	Brass	Plastic	2,5	-20° - +60°C	10	28,0	51	14	0,093	1M238009
63	G1/4	0 - 2,5	Brass	Plastic	2,5	-20° - +60°C	10	28,0	51	14	0,093	1M238010
63	G1/4	0 - 4	Brass	Plastic	2,5	-20° - +60°C	10	28,0	51	14	0,093	1M238011
63	G1/4	0 - 6	Brass	Plastic	2,5	-20° - +60°C	10	28,0	51	14	0,093	1M238012
63	G1/4	0 - 10	Brass	Plastic	2,5	-20° - +60°C	10	28,0	51	14	0,093	1M238013
63	G1/4	0 - 16	Brass	Plastic	2,5	-20° - +60°C	10	28,0	51	14	0,093	1M238016
63	G1/4	0 - 25	Brass	Plastic	2,5	-20° - +60°C	10	28,0	51	14	0,093	1M238025
63	G1/4	0 - 40	Brass	Plastic	2,5	-20° - +60°C	10	28,0	51	14	0,093	1M238040
63	G1/4	0 - 60	Brass	Plastic	2,5	-20° - +60°C	10	28,0	51	14	0,093	1M238060
63	G1/4	0 - 100	Brass	Plastic	2,5	-20° - +60°C	10	28,0	51	14	0,093	1M238100
63	G1/4	0 - 160	Brass	Plastic	2,5	-20° - +60°C	10	28,0	51	14	0,093	1M238160
63	G1/4	0 - 250	Brass	Plastic	2,5	-20° - +60°C	10	28,0	51	14	0,093	1M238250

# PRESSURE GAUGE 7011

**100MM, G1/2 bottom entry, Class 1,6**  
Pressure gauge diameter Ø100mm Stainless Steel case



Case size [mm] Connection		Scale [bar]	Material connec- tion	Material Window	Class	Temperature	Dimension [mm] and weight [kg]					Order Code
ØD	G						a	b	h	SW	Weight	
100	G1/2	-1 + 0	Brass	Plastic	1,6	-20° - +60°C	10	30,3	70,5	22	0,320	1M240000
100	G1/2	-1 + 0,6	Brass	Plastic	1,6	-20° - +60°C	10	30,3	70,5	22	0,320	1M240001
100	G1/2	-1 + 1,5	Brass	Plastic	1,6	-20° - +60°C	10	30,3	70,5	22	0,320	1M240002
100	G1/2	-1 + 3	Brass	Plastic	1,6	-20° - +60°C	10	30,3	70,5	22	0,320	1M240003
100	G1/2	-1 + 5	Brass	Plastic	1,6	-20° - +60°C	10	30,3	70,5	22	0,320	1M240004
100	G1/2	-1 + 9	Brass	Plastic	1,6	-20° - +60°C	10	30,3	70,5	22	0,320	1M240005
100	G1/2	-1 + 15	Brass	Plastic	1,6	-20° - +60°C	10	30,3	70,5	22	0,320	1M240006
100	G1/2	0 - 0,6	Brass	Plastic	1,6	-20° - +60°C	10	30,3	70,5	22	0,320	1M240007
100	G1/2	0 - 1	Brass	Plastic	1,6	-20° - +60°C	10	30,3	70,5	22	0,320	1M240008
100	G1/2	0 - 1,6	Brass	Plastic	1,6	-20° - +60°C	10	30,3	70,5	22	0,320	1M240009
100	G1/2	0 - 2,5	Brass	Plastic	1,6	-20° - +60°C	10	30,3	70,5	22	0,320	1M240010
100	G1/2	0 - 4	Brass	Plastic	1,6	-20° - +60°C	10	30,3	70,5	22	0,320	1M240011
100	G1/2	0 - 6	Brass	Plastic	1,6	-20° - +60°C	10	30,3	70,5	22	0,320	1M240012
100	G1/2	0 - 10	Brass	Plastic	1,6	-20° - +60°C	10	30,3	70,5	22	0,320	1M240013
100	G1/2	0 - 16	Brass	Plastic	1,6	-20° - +60°C	10	30,3	70,5	22	0,320	1M240016
100	G1/2	0 - 25	Brass	Plastic	1,6	-20° - +60°C	10	30,3	70,5	22	0,320	1M240025
100	G1/2	0 - 40	Brass	Plastic	1,6	-20° - +60°C	10	30,3	70,5	22	0,320	1M240040
100	G1/2	0 - 60	Brass	Plastic	1,6	-20° - +60°C	10	30,3	70,5	22	0,320	1M240060
100	G1/2	0 - 100	Brass	Plastic	1,6	-20° - +60°C	10	30,3	70,5	22	0,320	1M240100
100	G1/2	0 - 160	Brass	Plastic	1,6	-20° - +60°C	10	30,3	70,5	22	0,320	1M240160
100	G1/2	0 - 250	Brass	Plastic	1,6	-20° - +60°C	10	30,3	70,5	22	0,320	1M240250
100	G1/2	0 - 400	Brass	Plastic	1,6	-20° - +60°C	10	30,3	70,5	22	0,320	1M240400
100	G1/2	0 - 600	Brass	Plastic	1,6	-20° - +60°C	10	30,3	70,5	22	0,320	1M240600

# PRESSURE GAUGE 7011

**100MM, G1/2 bottom entry, Class 1,0**  
Pressure gauge diameter Ø100mm Stainless Steel case



Case size [mm] Connection		Scale [bar]	Material connec- tion	Material Window	Class	Temperature	Dimension [mm] and weight [kg]					Order Code
ØD	G						a	b	h	SW	Weight	
100	G1/2	-1 + 0	Brass	Glass	1,0	-20° - +60°C	10	30,3	70,5	22	0,320	1M241000
100	G1/2	-1 + 0,6	Brass	Glass	1,0	-20° - +60°C	10	30,3	70,5	22	0,320	1M241001
100	G1/2	-1 + 1,5	Brass	Glass	1,0	-20° - +60°C	10	30,3	70,5	22	0,320	1M241002
100	G1/2	-1 + 3	Brass	Glass	1,0	-20° - +60°C	10	30,3	70,5	22	0,320	1M241003
100	G1/2	-1 + 5	Brass	Glass	1,0	-20° - +60°C	10	30,3	70,5	22	0,320	1M241004
100	G1/2	-1 + 9	Brass	Glass	1,0	-20° - +60°C	10	30,3	70,5	22	0,320	1M241005
100	G1/2	-1 + 15	Brass	Glass	1,0	-20° - +60°C	10	30,3	70,5	22	0,320	1M241006
100	G1/2	0 - 0,6	Brass	Glass	1,0	-20° - +60°C	10	30,3	70,5	22	0,320	1M241007
100	G1/2	0 - 1	Brass	Glass	1,0	-20° - +60°C	10	30,3	70,5	22	0,320	1M241008
100	G1/2	0 - 1,6	Brass	Glass	1,0	-20° - +60°C	10	30,3	70,5	22	0,320	1M241009
100	G1/2	0 - 2,5	Brass	Glass	1,0	-20° - +60°C	10	30,3	70,5	22	0,320	1M241010
100	G1/2	0 - 4	Brass	Glass	1,0	-20° - +60°C	10	30,3	70,5	22	0,320	1M241011
100	G1/2	0 - 6	Brass	Glass	1,0	-20° - +60°C	10	30,3	70,5	22	0,320	1M241012
100	G1/2	0 - 10	Brass	Glass	1,0	-20° - +60°C	10	30,3	70,5	22	0,320	1M241013
100	G1/2	0 - 16	Brass	Glass	1,0	-20° - +60°C	10	30,3	70,5	22	0,320	1M241016
100	G1/2	0 - 25	Brass	Glass	1,0	-20° - +60°C	10	30,3	70,5	22	0,320	1M241025
100	G1/2	0 - 40	Brass	Glass	1,0	-20° - +60°C	10	30,3	70,5	22	0,320	1M241040
100	G1/2	0 - 60	Brass	Glass	1,0	-20° - +60°C	10	30,3	70,5	22	0,320	1M241060
100	G1/2	0 - 100	Brass	Glass	1,0	-20° - +60°C	10	30,3	70,5	22	0,320	1M241100
100	G1/2	0 - 160	Brass	Glass	1,0	-20° - +60°C	10	30,3	70,5	22	0,320	1M241160
100	G1/2	0 - 250	Brass	Glass	1,0	-20° - +60°C	10	30,3	70,5	22	0,320	1M241250
100	G1/2	0 - 400	Brass	Glass	1,0	-20° - +60°C	10	30,3	70,5	22	0,320	1M241400
100	G1/2	0 - 600	Brass	Glass	1,0	-20° - +60°C	10	30,3	70,5	22	0,320	1M241600
100	G1/2	0 - 1000	Stainless Steel	Glass	1,0	-20° - +60°C	10	30,3	70,5	22	0,320	1M283610