

PRESSURE GAUGE 6004



Pressure gauge 6004

Pressure gauge ET 6004 Steel black powder coated bourdon tube pressure gauge with brass back entry connection.

CASE DIAMETERS

40 - 50 - 63 - 100mm

CONNECTION

- Back Entry
- Male thread according UNI EN 10226 (DIN ISO 7/1)
-
-

OPERATING PRESSURE

-1 to +0
0 to 400 bar
Steady: 75% of full scale value
Fluctuating: 60% of full scale value
Short time: full scale value
Over pressure limit: 120% of max scale value

TEMPERATURE RANGE

Operating temperature: Ambient: -20 to +60° C
Medium temperature: 60°C maximum
Storage temperature: -20 to 60°C
Temperature effect: Deviation from reference temperature (+20°C)
 $\pm 0,04\%/1K$ of the span

MATERIALS

Case: Black steel, powder coated
Window: Clear plastic
Dial: White aluminium
Pointer: Black aluminium
Pressure connection: Cu-alloy
Pressure element: Bourdon tube Cu-alloy soft soldered
< 60 bar C-type
>60 bar helical type
Movement: Cu-alloy

ACCURACY CLASS

class 2,5 to the full scale value

MOUNTING

BSP thread entry below.
Pressure gauges must be mounted vertically. Other arrangements (forwards, backwards, lying down, sideways, etc.) are only possible if calibration has been taken into account here.

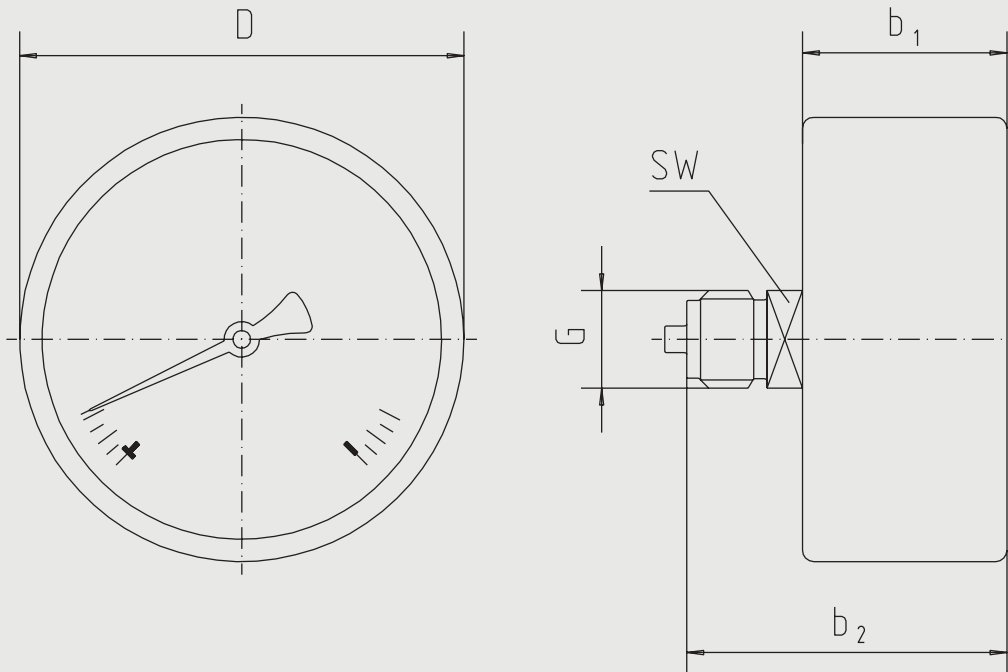
DESIGN

EN 837-1

DEGREE OF PROTECTION

IP 31 according EN 60 529 / IEC 529

PRESSURE GAUGE 6004



40MM, G1/8 back entry
Pressure gauge diameter Ø40mm Steel case, coated black



Case size [mm] Connection		Scale [bar]	Material connec- tion	Material Window	Class	Temperature	Dimension [mm] and weight [kg]					Order Code
ØD	G						b1	b2	D	SW	Weight	
40	G1/8	-1 + 0	Brass	Plastic	2,5	-20° - +60°C	24,2	40,2	39,2	11	0,046	1M212000
40	G1/8	-1 + 1,5	Brass	Plastic	2,5	-20° - +60°C	24,2	40,2	39,2	11	0,046	1M212002
40	G1/8	-1 + 3	Brass	Plastic	2,5	-20° - +60°C	24,2	40,2	39,2	11	0,046	1M212003
40	G1/8	-1 + 5	Brass	Plastic	2,5	-20° - +60°C	24,2	40,2	39,2	11	0,046	1M212004
40	G1/8	-1 + 9	Brass	Plastic	2,5	-20° - +60°C	24,2	40,2	39,2	11	0,046	1M212005
40	G1/8	-1 + 15	Brass	Plastic	2,5	-20° - +60°C	24,2	40,2	39,2	11	0,046	1M212006
40	G1/8	0 - 1	Brass	Plastic	2,5	-20° - +60°C	24,2	40,2	39,2	11	0,046	1M212008
40	G1/8	0 - 1,6	Brass	Plastic	2,5	-20° - +60°C	24,2	40,2	39,2	11	0,046	1M212009
40	G1/8	0 - 2,5	Brass	Plastic	2,5	-20° - +60°C	24,2	40,2	39,2	11	0,046	1M212010
40	G1/8	0 - 4	Brass	Plastic	2,5	-20° - +60°C	24,2	40,2	39,2	11	0,046	1M212011
40	G1/8	0 - 6	Brass	Plastic	2,5	-20° - +60°C	24,2	40,2	39,2	11	0,046	1M212012
40	G1/8	0 - 10	Brass	Plastic	2,5	-20° - +60°C	24,2	40,2	39,2	11	0,046	1M212013
40	G1/8	0 - 16	Brass	Plastic	2,5	-20° - +60°C	24,2	40,2	39,2	11	0,046	1M212016
40	G1/8	0 - 25	Brass	Plastic	2,5	-20° - +60°C	24,2	40,2	39,2	11	0,046	1M212025
40	G1/8	0 - 40	Brass	Plastic	2,5	-20° - +60°C	24,2	40,2	39,2	11	0,046	1M212040
40	G1/8	0 - 60	Brass	Plastic	2,5	-20° - +60°C	24,2	40,2	39,2	11	0,046	1M212060
40	G1/8	0 - 100	Brass	Plastic	2,5	-20° - +60°C	24,2	40,2	39,2	11	0,046	1M212100
40	G1/8	0 - 160	Brass	Plastic	2,5	-20° - +60°C	24,2	40,2	39,2	11	0,046	1M212160
40	G1/8	0 - 250	Brass	Plastic	2,5	-20° - +60°C	24,2	40,2	39,2	11	0,046	1M212250
40	G1/8	0 - 400	Brass	Plastic	2,5	-20° - +60°C	24,2	40,2	39,2	11	0,046	1M212400

PRESSURE GAUGE 6004

50MM, G1/4 back entry

Pressure gauge diameter Ø50mm Steel case, coated black



Case size [mm] Connection		Scale [bar]	Material connec- tion	Material Window	Class	Temperature	Dimension [mm] and weight [kg]					Order Code
ØD	G						b1	b2	D	SW	Weight	
50	G1/4	-1 + 0	Brass	Plastic	2,5	-20° - +60°C	27,5	46,0	51,0	14	0,088	1M214000
50	G1/4	-1 + 0,6	Brass	Plastic	2,5	-20° - +60°C	27,5	46,0	51,0	14	0,088	1M214001
50	G1/4	-1 + 1,5	Brass	Plastic	2,5	-20° - +60°C	27,5	46,0	51,0	14	0,088	1M214002
50	G1/4	-1 + 3	Brass	Plastic	2,5	-20° - +60°C	27,5	46,0	51,0	14	0,088	1M214003
50	G1/4	-1 + 5	Brass	Plastic	2,5	-20° - +60°C	27,5	46,0	51,0	14	0,088	1M214004
50	G1/4	-1 + 9	Brass	Plastic	2,5	-20° - +60°C	27,5	46,0	51,0	14	0,088	1M214005
50	G1/4	-1 + 15	Brass	Plastic	2,5	-20° - +60°C	27,5	46,0	51,0	14	0,088	1M214006
50	G1/4	0 - 0,6	Brass	Plastic	2,5	-20° - +60°C	27,5	46,0	51,0	14	0,088	1M214007
50	G1/4	0 - 1	Brass	Plastic	2,5	-20° - +60°C	27,5	46,0	51,0	14	0,088	1M214008
50	G1/4	0 - 1,6	Brass	Plastic	2,5	-20° - +60°C	27,5	46,0	51,0	14	0,088	1M214009
50	G1/4	0 - 2,5	Brass	Plastic	2,5	-20° - +60°C	27,5	46,0	51,0	14	0,088	1M214010
50	G1/4	0 - 4	Brass	Plastic	2,5	-20° - +60°C	27,5	46,0	51,0	14	0,088	1M214011
50	G1/4	0 - 6	Brass	Plastic	2,5	-20° - +60°C	27,5	46,0	51,0	14	0,088	1M214012
50	G1/4	0 - 10	Brass	Plastic	2,5	-20° - +60°C	27,5	46,0	51,0	14	0,088	1M214013
50	G1/8	0 - 16	Brass	Plastic	2,5	-20° - +60°C	27,5	46,0	51,0	14	0,088	1M214016
50	G1/4	0 - 25	Brass	Plastic	2,5	-20° - +60°C	27,5	46,0	51,0	14	0,088	1M214025
50	G1/8	0 - 40	Brass	Plastic	2,5	-20° - +60°C	27,5	46,0	51,0	14	0,088	1M214040
50	G1/4	0 - 60	Brass	Plastic	2,5	-20° - +60°C	27,5	46,0	51,0	14	0,088	1M214060
50	G1/4	0 - 100	Brass	Plastic	2,5	-20° - +60°C	27,5	46,0	51,0	14	0,088	1M214100
50	G1/4	0 - 160	Brass	Plastic	2,5	-20° - +60°C	27,5	46,0	51,0	14	0,088	1M214160
50	G1/4	0 - 250	Brass	Plastic	2,5	-20° - +60°C	27,5	46,0	51,0	14	0,088	1M214250
50	G1/4	0 - 400	Brass	Plastic	2,5	-20° - +60°C	27,5	46,0	51,0	14	0,088	1M214400

PRESSURE GAUGE 6004

63MM, G1/4 back entry

Pressure gauge diameter Ø63mm Steel case, coated black



Case size [mm] Connection		Scale [bar]	Material connec- tion	Material Window	Class	Temperature	Dimension [mm] and weight [kg]					Order Code
ØD	G						b1	b2	D	SW	Weight	
63	G1/4	-1 + 0	Brass	Plastic	2,5	-20° - +60°C	27,2	52,0	63,0	14	0,111	1M216000
63	G1/4	-1 + 0,6	Brass	Plastic	2,5	-20° - +60°C	27,2	52,0	63,0	14	0,111	1M216001
63	G1/4	-1 + 1,5	Brass	Plastic	2,5	-20° - +60°C	27,2	52,0	63,0	14	0,111	1M216002
63	G1/4	-1 + 3	Brass	Plastic	2,5	-20° - +60°C	27,2	52,0	63,0	14	0,111	1M216003
63	G1/4	-1 + 5	Brass	Plastic	2,5	-20° - +60°C	27,2	52,0	63,0	14	0,111	1M216004
63	G1/4	-1 + 9	Brass	Plastic	2,5	-20° - +60°C	27,2	52,0	63,0	14	0,111	1M216005
63	G1/4	-1 + 15	Brass	Plastic	2,5	-20° - +60°C	27,2	52,0	63,0	14	0,111	1M216006
63	G1/4	0 - 0,6	Brass	Plastic	2,5	-20° - +60°C	27,2	52,0	63,0	14	0,111	1M216007
63	G1/4	0 - 1	Brass	Plastic	2,5	-20° - +60°C	27,2	52,0	63,0	14	0,111	1M216008
63	G1/4	0 - 1,6	Brass	Plastic	2,5	-20° - +60°C	27,2	52,0	63,0	14	0,111	1M216009
63	G1/4	0 - 2,5	Brass	Plastic	2,5	-20° - +60°C	27,2	52,0	63,0	14	0,111	1M216010
63	G1/4	0 - 4	Brass	Plastic	2,5	-20° - +60°C	27,2	52,0	63,0	14	0,111	1M216011
63	G1/4	0 - 6	Brass	Plastic	2,5	-20° - +60°C	27,2	52,0	63,0	14	0,111	1M216012
63	G1/4	0 - 10	Brass	Plastic	2,5	-20° - +60°C	27,2	52,0	63,0	14	0,111	1M216013
63	G1/4	0 - 16	Brass	Plastic	2,5	-20° - +60°C	27,2	52,0	63,0	14	0,111	1M216016
63	G1/4	0 - 25	Brass	Plastic	2,5	-20° - +60°C	27,2	52,0	63,0	14	0,111	1M216025
63	G1/4	0 - 40	Brass	Plastic	2,5	-20° - +60°C	27,2	52,0	63,0	14	0,111	1M216040
63	G1/4	0 - 60	Brass	Plastic	2,5	-20° - +60°C	27,2	52,0	63,0	14	0,111	1M216060
63	G1/4	0 - 100	Brass	Plastic	2,5	-20° - +60°C	27,2	52,0	63,0	14	0,111	1M216100
63	G1/4	0 - 160	Brass	Plastic	2,5	-20° - +60°C	27,2	52,0	63,0	14	0,111	1M216160
63	G1/4	0 - 250	Brass	Plastic	2,5	-20° - +60°C	27,2	52,0	63,0	14	0,111	1M216250
63	G1/4	0 - 400	Brass	Plastic	2,5	-20° - +60°C	27,2	52,0	63,0	14	0,111	1M216400

PRESSURE GAUGE 6004

100MM, G1/2 back entry
Pressure gauge diameter Ø100mm Steel case, coated black



Case size [mm] Connection		Scale [bar]	Material connec- tion	Material Window	Class	Temperature	Dimension [mm] and weight [kg]					Order Code
ØD	G						b1	b2	D	SW	Weight	
100	G1/2	-1 + 0	Brass	Plastic	2,5	-20° - +60°C	30,7	49,0	99,0	22	0,319	1M218000
100	G1/2	-1 + 0,6	Brass	Plastic	2,5	-20° - +60°C	30,7	49,0	99,0	22	0,319	1M218001
100	G1/2	-1 + 1,5	Brass	Plastic	2,5	-20° - +60°C	30,7	49,0	99,0	22	0,319	1M218002
100	G1/2	-1 + 3	Brass	Plastic	2,5	-20° - +60°C	30,7	49,0	99,0	22	0,319	1M218003
100	G1/2	-1 + 5	Brass	Plastic	2,5	-20° - +60°C	30,7	49,0	99,0	22	0,319	1M218004
100	G1/2	-1 + 9	Brass	Plastic	2,5	-20° - +60°C	30,7	49,0	99,0	22	0,319	1M218005
100	G1/2	-1 + 15	Brass	Plastic	2,5	-20° - +60°C	30,7	49,0	99,0	22	0,319	1M218006
100	G1/2	0 - 0,6	Brass	Plastic	2,5	-20° - +60°C	30,7	49,0	99,0	22	0,319	1M218007
100	G1/2	0 - 1	Brass	Plastic	2,5	-20° - +60°C	30,7	49,0	99,0	22	0,319	1M218008
100	G1/2	0 - 2,5	Brass	Plastic	2,5	-20° - +60°C	30,7	49,0	99,0	22	0,319	1M218010
100	G1/2	0 - 4	Brass	Plastic	2,5	-20° - +60°C	30,7	49,0	99,0	22	0,319	1M218011
100	G1/2	0 - 6	Brass	Plastic	2,5	-20° - +60°C	30,7	49,0	99,0	22	0,319	1M218012
100	G1/2	0 - 10	Brass	Plastic	2,5	-20° - +60°C	30,7	49,0	99,0	22	0,319	1M218013
100	G1/2	0 - 16	Brass	Plastic	2,5	-20° - +60°C	30,7	49,0	99,0	22	0,319	1M218016
100	G1/2	0 - 25	Brass	Plastic	2,5	-20° - +60°C	30,7	49,0	99,0	22	0,319	1M218025
100	G1/2	0 - 40	Brass	Plastic	2,5	-20° - +60°C	30,7	49,0	99,0	22	0,319	1M218040
100	G1/2	0 - 60	Brass	Plastic	2,5	-20° - +60°C	30,7	49,0	99,0	22	0,319	1M218060
100	G1/2	0 - 100	Brass	Plastic	2,5	-20° - +60°C	30,7	49,0	99,0	22	0,319	1M218100
100	G1/2	0 - 160	Brass	Plastic	2,5	-20° - +60°C	30,7	49,0	99,0	22	0,319	1M218160
100	G1/2	0 - 250	Brass	Plastic	2,5	-20° - +60°C	30,7	49,0	99,0	22	0,319	1M218250
100	G1/2	0 - 400	Brass	Plastic	2,5	-20° - +60°C	30,7	49,0	99,0	22	0,319	1M218400