

# PRESSURE GAUGE 6001



## Pressure gauge 6001

Pressure gauge ET 6001 Steel black powder coated bourdon tube pressure gauge with brass bottom entry connection.

### CASE DIAMETERS

40 - 50 - 63 - 100mm

### CONNECTION

- Bottom Entry
- Male thread according to UNI EN 10226 (DIN ISO 7/1)
- 
- 

### OPERATING PRESSURE

-1 to +0  
0 to 400 bar  
Steady: 75% of full scale value  
Fluctuating: 60% of full scale value  
Short time: full scale value  
Over pressure limit: 120% of max scale value

### TEMPERATURE RANGE

Operating temperature: Ambient: -20 to +60° C  
Medium temperature: 60°C maximum  
Storage temperature: -20 to 60°C  
Temperature effect: Deviation from reference temperature (+20°C)  
 $\pm 0,04\%/1K$  of the span

### MATERIALS

Case: Black steel, powder coated  
Window: Clear plastic  
Dial: White aluminium  
Pointer: Black aluminium  
Pressure connection: Cu-alloy  
Pressure element: Bourdon tube Cu-alloy soft soldered  
< 60 bar C-type  
>60 bar helical type  
Movement: Cu-alloy

### ACCURACY CLASS

class 2,5 to the full scale value

### MOUNTING

BSP thread entry below.  
Pressure gauges must be mounted vertically. Other arrangements (forwards, backwards, lying down, sideways, etc.) are only possible if calibration has been taken into account here.

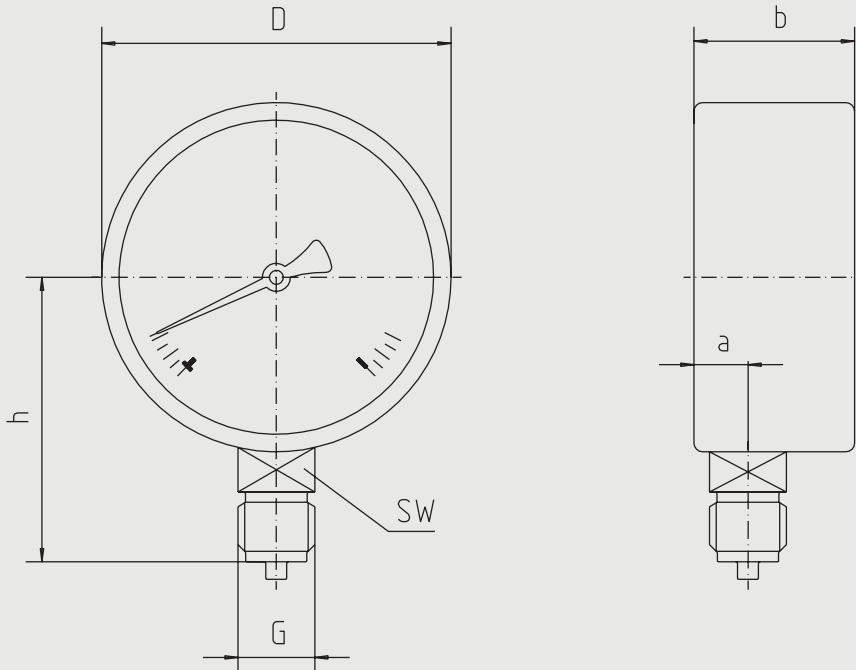
### DESIGN

EN 837-1

### DEGREE OF PROTECTION

IP 31 according to EN 60 529 / IEC 529

# PRESSURE GAUGE 6001



### 40MM, G1/8 bottom entry

Pressure gauge diameter Ø40mm Steel case, coated black



Case size [mm] Connection		Scale [bar]	Material connec- tion	Material Window	Class	Temperature	Dimension [mm] and weight [kg]					Order Code
ØD	G						a	b	h	SW	Weight	
40	G1/8	-1 + 0	Brass	Plastic	2,5	-20° - +60°C	9	23,7	35	11	0,045	1M202000
40	G1/8	-1 + 1,5	Brass	Plastic	2,5	-20° - +60°C	9	23,7	35	11	0,045	1M202002
40	G1/8	-1 + 3	Brass	Plastic	2,5	-20° - +60°C	9	23,7	35	11	0,045	1M202003
40	G1/8	-1 + 5	Brass	Plastic	2,5	-20° - +60°C	9	23,7	35	11	0,045	1M202004
40	G1/8	-1 + 9	Brass	Plastic	2,5	-20° - +60°C	9	23,7	35	11	0,045	1M202005
40	G1/8	-1 + 15	Brass	Plastic	2,5	-20° - +60°C	9	23,7	35	11	0,045	1M202006
40	G1/8	0 - 0,6	Brass	Plastic	2,5	-20° - +60°C	9	23,7	35	11	0,045	1M202007
40	G1/8	0 - 1	Brass	Plastic	2,5	-20° - +60°C	9	23,7	35	11	0,045	1M202008
40	G1/8	0 - 1,6	Brass	Plastic	2,5	-20° - +60°C	9	23,7	35	11	0,045	1M202009
40	G1/8	0 - 2,5	Brass	Plastic	2,5	-20° - +60°C	9	23,7	35	11	0,045	1M202010
40	G1/8	0 - 4	Brass	Plastic	2,5	-20° - +60°C	9	23,7	35	11	0,045	1M202011
40	G1/8	0 - 6	Brass	Plastic	2,5	-20° - +60°C	9	23,7	35	11	0,045	1M202012
40	G1/8	0 - 10	Brass	Plastic	2,5	-20° - +60°C	9	23,7	35	11	0,045	1M202013
40	G1/8	0 - 16	Brass	Plastic	2,5	-20° - +60°C	9	23,7	35	11	0,045	1M202016
40	G1/8	0 - 25	Brass	Plastic	2,5	-20° - +60°C	9	23,7	35	11	0,045	1M202025
40	G1/8	0 - 40	Brass	Plastic	2,5	-20° - +60°C	9	23,7	35	11	0,045	1M202040
40	G1/8	0 - 60	Brass	Plastic	2,5	-20° - +60°C	9	23,7	35	11	0,045	1M202060
40	G1/8	0 - 100	Brass	Plastic	2,5	-20° - +60°C	9	23,7	35	11	0,045	1M202100
40	G1/8	0 - 160	Brass	Plastic	2,5	-20° - +60°C	9	23,7	35	11	0,045	1M202160
40	G1/8	0 - 250	Brass	Plastic	2,5	-20° - +60°C	9	23,7	35	11	0,045	1M202250
40	G1/8	0 - 400	Brass	Plastic	2,5	-20° - +60°C	9	23,7	35	11	0,045	1M202400

# PRESSURE GAUGE 6001

## 50MM, G1/4 bottom entry

Pressure gauge diameter Ø50mm Steel case, coated black



Case size [mm] Connection		Scale [bar]	Material connec- tion	Material Window	Class	Temperature	Dimension [mm] and weight [kg]					Order Code
ØD	G						a	b	h	SW	Weight	
50	G1/4	-1 + 0	Brass	Plastic	2,5	-20° - +60°C	9	27,5	44	14	0,075	1M204000
50	G1/4	-1 + 0,6	Brass	Plastic	2,5	-20° - +60°C	9	27,5	44	14	0,075	1M204001
50	G1/4	-1 + 1,5	Brass	Plastic	2,5	-20° - +60°C	9	27,5	44	14	0,075	1M204002
50	G1/4	-1 + 3	Brass	Plastic	2,5	-20° - +60°C	9	27,5	44	14	0,075	1M204003
50	G1/4	-1 + 5	Brass	Plastic	2,5	-20° - +60°C	9	27,5	44	14	0,075	1M204004
50	G1/4	-1 + 9	Brass	Plastic	2,5	-20° - +60°C	9	27,5	44	14	0,075	1M204005
50	G1/4	-1 + 15	Brass	Plastic	2,5	-20° - +60°C	9	27,5	44	14	0,075	1M204006
50	G1/4	0 - 0,6	Brass	Plastic	2,5	-20° - +60°C	9	27,5	44	14	0,075	1M204007
50	G1/4	0 - 1	Brass	Plastic	2,5	-20° - +60°C	9	27,5	44	14	0,075	1M204008
50	G1/4	0 - 1,6	Brass	Plastic	2,5	-20° - +60°C	9	27,5	44	14	0,075	1M204009
50	G1/4	0 - 2,5	Brass	Plastic	2,5	-20° - +60°C	9	27,5	44	14	0,075	1M204010
50	G1/4	0 - 4	Brass	Plastic	2,5	-20° - +60°C	9	27,5	44	14	0,075	1M204011
50	G1/4	0 - 6	Brass	Plastic	2,5	-20° - +60°C	9	27,5	44	14	0,075	1M204012
50	G1/4	0 - 10	Brass	Plastic	2,5	-20° - +60°C	9	27,5	44	14	0,075	1M204013
50	G1/4	0 - 16	Brass	Plastic	2,5	-20° - +60°C	9	27,5	44	14	0,075	1M204016
50	G1/4	0 - 25	Brass	Plastic	2,5	-20° - +60°C	9	27,5	44	14	0,075	1M204025
50	G1/4	0 - 40	Brass	Plastic	2,5	-20° - +60°C	9	27,5	44	14	0,075	1M204040
50	G1/4	0 - 60	Brass	Plastic	2,5	-20° - +60°C	9	27,5	44	14	0,075	1M204060
50	G1/4	0 - 100	Brass	Plastic	2,5	-20° - +60°C	9	27,5	44	14	0,075	1M204100
50	G1/4	0 - 160	Brass	Plastic	2,5	-20° - +60°C	9	27,5	44	14	0,075	1M204160
50	G1/4	0 - 250	Brass	Plastic	2,5	-20° - +60°C	9	27,5	44	14	0,075	1M204250
50	G1/4	0 - 315	Brass	Plastic	2,5	-20° - +60°C	9	27,5	44	14	0,075	1M204315
50	G1/4	0 - 400	Brass	Plastic	2,5	-20° - +60°C	9	27,5	44	14	0,075	1M204400

# PRESSURE GAUGE 6001

## 63MM, G1/4 bottom entry

Pressure gauge diameter Ø63mm Steel case, coated black



Case size [mm] Connection		Scale [bar]	Material connec- tion	Material Window	Class	Temperature	Dimension [mm] and weight [kg]					Order Code
ØD	G						a	b	h	SW	Weight	
63	G1/4	-1 + 0	Brass	Plastic	2,5	-20° - +60°C	10	27,5	51	14	0,087	1M206000
63	G1/4	-1 + 0,6	Brass	Plastic	2,5	-20° - +60°C	10	27,5	51	14	0,087	1M206001
63	G1/4	-1 + 1,5	Brass	Plastic	2,5	-20° - +60°C	10	27,5	51	14	0,087	1M206002
63	G1/4	-1 + 3	Brass	Plastic	2,5	-20° - +60°C	10	27,5	51	14	0,087	1M206003
63	G1/4	-1 + 5	Brass	Plastic	2,5	-20° - +60°C	10	27,5	51	14	0,087	1M206004
63	G1/4	-1 + 9	Brass	Plastic	2,5	-20° - +60°C	10	27,5	51	14	0,087	1M206005
63	G1/4	-1 + 15	Brass	Plastic	2,5	-20° - +60°C	10	27,5	51	14	0,087	1M206006
63	G1/4	0 - 0,6	Brass	Plastic	2,5	-20° - +60°C	10	27,5	51	14	0,087	1M206007
63	G1/4	0 - 1	Brass	Plastic	2,5	-20° - +60°C	10	27,5	51	14	0,087	1M206008
63	G1/4	0 - 1,6	Brass	Plastic	2,5	-20° - +60°C	10	27,5	51	14	0,087	1M206009
63	G1/4	0 - 2,5	Brass	Plastic	2,5	-20° - +60°C	10	27,5	51	14	0,087	1M206010
63	G1/4	0 - 4	Brass	Plastic	2,5	-20° - +60°C	10	27,5	51	14	0,087	1M206011
63	G1/4	0 - 6	Brass	Plastic	2,5	-20° - +60°C	10	27,5	51	14	0,087	1M206012
63	G1/4	0 - 10	Brass	Plastic	2,5	-20° - +60°C	10	27,5	51	14	0,087	1M206013
63	G1/4	0 - 16	Brass	Plastic	2,5	-20° - +60°C	10	27,5	51	14	0,087	1M206016
63	G1/4	0 - 25	Brass	Plastic	2,5	-20° - +60°C	10	27,5	51	14	0,087	1M206025
63	G1/4	0 - 40	Brass	Plastic	2,5	-20° - +60°C	10	27,5	51	14	0,087	1M206040
63	G1/4	0 - 60	Brass	Plastic	2,5	-20° - +60°C	10	27,5	51	14	0,087	1M206060
63	G1/4	0 - 100	Brass	Plastic	2,5	-20° - +60°C	10	27,5	51	14	0,087	1M206100
63	G1/4	0 - 160	Brass	Plastic	2,5	-20° - +60°C	10	27,5	51	14	0,087	1M206160
63	G1/4	0 - 250	Brass	Plastic	2,5	-20° - +60°C	10	27,5	51	14	0,087	1M206250
63	G1/4	0 - 400	Brass	Plastic	2,5	-20° - +60°C	10	27,5	51	14	0,087	1M206400

# PRESSURE GAUGE 6001

**100MM, G1/2 bottom entry**  
Pressure gauge diameter Ø100mm Steel case, coated black



Case size [mm] Connection		Scale [bar]	Material connec- tion	Material Window	Class	Temperature	Dimension [mm] and weight [kg]					Order Code
ØD	G						a	b	h	SW	Weight	
100	G1/2	-1 + 0	Brass	Plastic	2,5	-20° - +60°C	13	38,5	80	22	0,347	1M208000
100	G1/2	-1 + 0,6	Brass	Plastic	2,5	-20° - +60°C	13	38,5	80	22	0,347	1M208001
100	G1/2	-1 + 1,5	Brass	Plastic	2,5	-20° - +60°C	13	38,5	80	22	0,347	1M208002
100	G1/2	-1 + 3	Brass	Plastic	2,5	-20° - +60°C	13	38,5	80	22	0,347	1M208003
100	G1/2	-1 + 5	Brass	Plastic	2,5	-20° - +60°C	13	38,5	80	22	0,347	1M208004
100	G1/2	-1 + 9	Brass	Plastic	2,5	-20° - +60°C	13	38,5	80	22	0,347	1M208005
100	G1/2	-1 + 15	Brass	Plastic	2,5	-20° - +60°C	13	38,5	80	22	0,347	1M208006
100	G1/2	0 - 0,6	Brass	Plastic	2,5	-20° - +60°C	13	38,5	80	22	0,347	1M208007
100	G1/2	0 - 1	Brass	Plastic	2,5	-20° - +60°C	13	38,5	80	22	0,347	1M208008
100	G1/2	0 - 1,6	Brass	Plastic	2,5	-20° - +60°C	13	38,5	80	22	0,347	1M208009
100	G1/2	0 - 2,5	Brass	Plastic	2,5	-20° - +60°C	13	38,5	80	22	0,347	1M208010
100	G1/2	0 - 4	Brass	Plastic	2,5	-20° - +60°C	13	38,5	80	22	0,347	1M208011
100	G1/2	0 - 6	Brass	Plastic	2,5	-20° - +60°C	13	38,5	80	22	0,347	1M208012
100	G1/2	0 - 10	Brass	Plastic	2,5	-20° - +60°C	13	38,5	80	22	0,347	1M208013
100	G1/2	0 - 16	Brass	Plastic	2,5	-20° - +60°C	13	38,5	80	22	0,347	1M208016
100	G1/2	0 - 25	Brass	Plastic	2,5	-20° - +60°C	13	38,5	80	22	0,347	1M208025
100	G1/2	0 - 40	Brass	Plastic	2,5	-20° - +60°C	13	38,5	80	22	0,347	1M208040
100	G1/2	0 - 60	Brass	Plastic	2,5	-20° - +60°C	13	38,5	80	22	0,347	1M208060
100	G1/2	0 - 100	Brass	Plastic	2,5	-20° - +60°C	13	38,5	80	22	0,347	1M208100
100	G1/2	0 - 160	Brass	Plastic	2,5	-20° - +60°C	13	38,5	80	22	0,347	1M208160
100	G1/2	0 - 250	Brass	Plastic	2,5	-20° - +60°C	13	38,5	80	22	0,347	1M208250
100	G1/2	0 - 400	Brass	Plastic	2,5	-20° - +60°C	13	38,5	80	22	0,347	1M208400