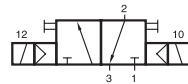
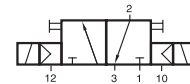


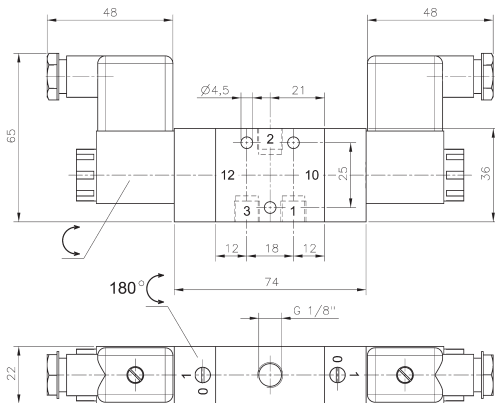
# MH 320 501/MH 320 701/MH 320 801



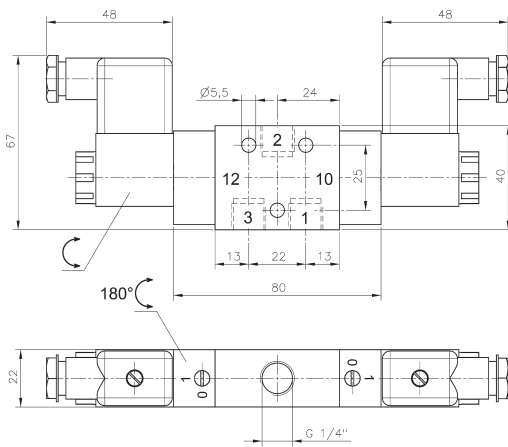
MH 320 501  
MH 320 701  
MH 320 801



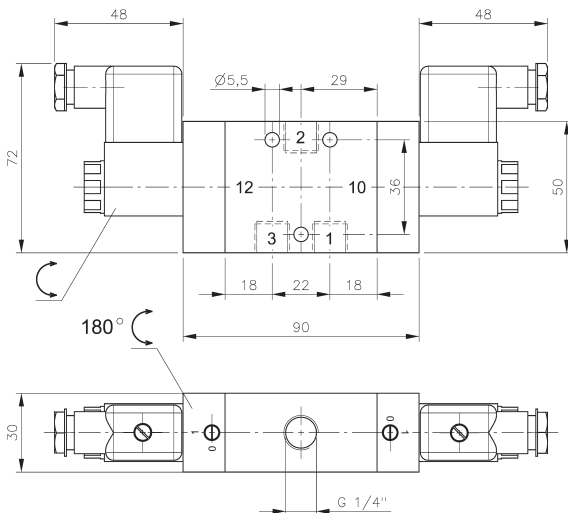
MEH 320 501  
MEH 320 701  
MEH 320 801



**MH 320 501**



**MH 320 701**



**MH 320 801**



3/2-way double solenoid valve actuated by impulse. Position is kept until an electrical signal is applied to the opposite side even when not attached to an electrical source.

Available with solenoid operators:  
230V/50Hz, 110V/50Hz, 24V/50Hz, 48V=  
24V=, 12V=.

Valves are generally equipped with manual override. If requested without manual override please order type no. M 320 \_\_\_\_.

Valves are also available with external pilot feed.  
Type: MEH 320 \_\_\_\_.  
Port 12 series 501 and 701 M5, series 801 G 1/8".  
Minimum actuation pressure: 2,5 bar.  
Operating pressure: 0 - 10 bar.  
Version for vacuum on request.

Type	Port size	Air flow	Operating press.	Power consumption	Weight
MH 320 501	G 1/8"	650 l/min	2 - 10 bar	3 W = / 5 VA ~	0,29 kg
MH 320 701	G 1/4"	1250 l/min	2 - 10 bar	3 W = / 5 VA ~	0,31 kg
MH 320 801	G 1/4"	1450 l/min	1,5 - 10 bar	3 W = / 5 VA ~	0,54 kg