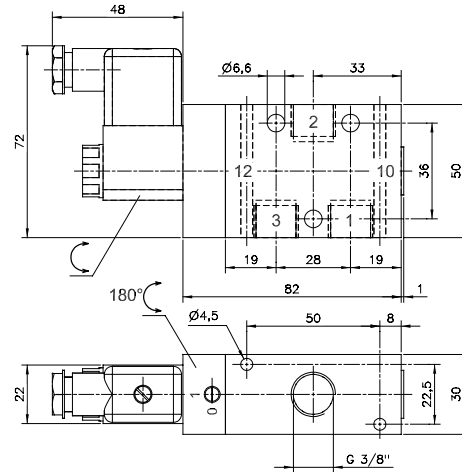
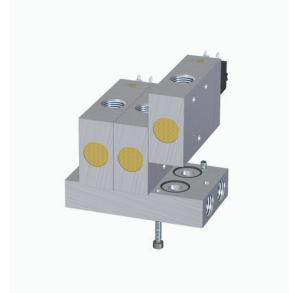


MH 310 101 G/MH 310 121 G MOH 310 101 G/MOH 310 121 G



G-Series 101 G

G-Series 121 G



MH 310 101 G/MOH 310 101 G

3/2-way solenoid valve normally closed (MH) or normally open (MOH) actuated by permanent signal and equipped with air spring return.

The G-Series valves offer the flexibility of in-line fitment as well as the option of being assembled on to a manifold as shown. Manifolds are displayed on page 2.7.1.5.

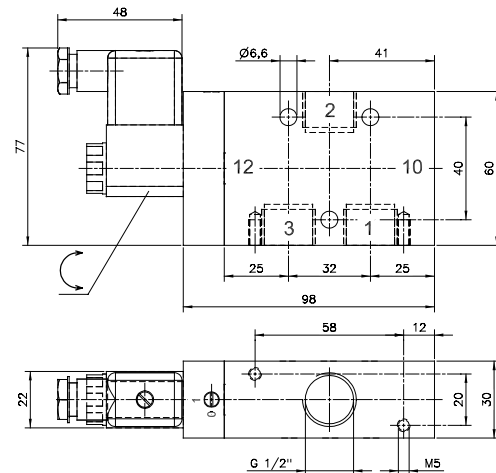
Normally open and normally closed products can be mixed on one plate.

Valves G1/2" have to be assembled onto the plate by fixing screws from the bottom through the plate into the valve.

Available with solenoid operators:
230V/50Hz, 110V/50Hz, 24V/50Hz, 48V=,
24V-, 12V=.

Valves are generally equipped with manual override.
If requested without manual override please order
M 310 ___ / MO 310 ___.

Please note:
Do not close port 3 to convert into a 2-way valve.



MH 310 121 G/MOH 310 121 G

Type	Function	Port size	Air flow	Operating press.	Power consumption	Weight
MH 310 101 G	n.c.	G 3/8"	2250 l/min	1,5 - 10 bar	3 W = / 5 VA ~	0,41 kg
MH 310 121 G	n.c.	G 1/2"	3000 l/min	1 - 10 bar	3 W = / 5 VA ~	0,53 kg
MOH 310 101 G	n.o.	G 3/8"	2250 l/min	1,5 - 10 bar	3 W = / 5 VA ~	0,41 kg
MOH 310 121 G	n.o.	G 1/2"	3000 l/min	1 - 10 bar	3 W = / 5 VA ~	0,53 kg