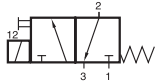
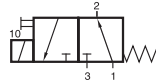


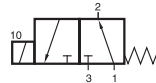
MH 311 014/MOH 311 014 MH 311 019/MX 311 019



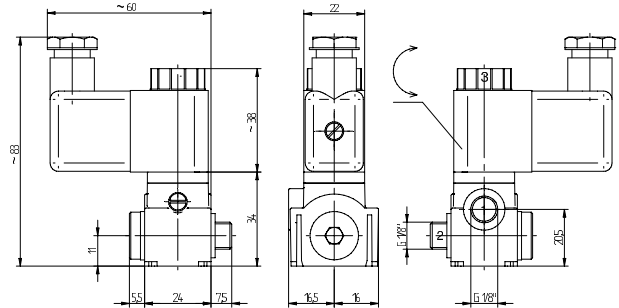
MH 311 014
MH 311 019



MOH 311 014



MX 311 019



MH 311 014/MOH 311 014

Direct acting 3/2-way solenoid valve equipped with spring return. Orifice size 1.3 mm.

Type MH 311 014:

Normally closed, port 1 in the valve, port 2 as banjo screw, exhaust through operator system with manual override.

Type MH 311 019 __:

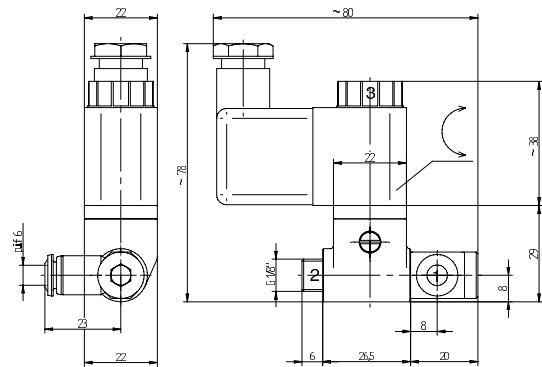
Normally closed, port 1 swivel either 1/8" or 6 mm pif, port 2 as banjo screw, exhaust through operator system with manual override.

Type MOH 311 014:

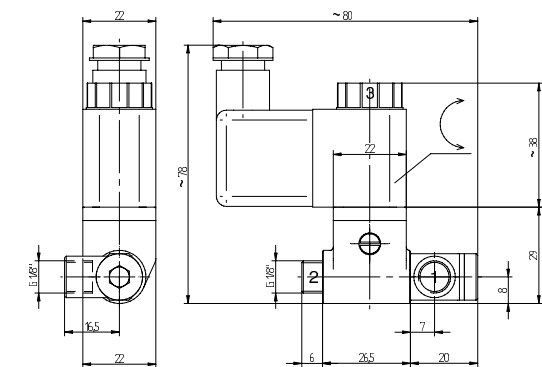
Normally open, port 1 at the top of the operator system, port 2 as banjo screw, exhaust at the body, manual override included, delivery with flat nut. Drawing displays MH-valve, for MOH ports 1 and 3 swapped.

Type MX 311 019 __:

Normally open, port 1 swivel either 1/8" or 6 mm pif, port 2 as banjo screw, exhaust through operator system no manual override. Operator system is 8 mm longer than in drawing.



MH 311 019 6/MX 311 019 6



MH 311 019 1/8 / MX 311 019 1/8

Available with solenoid operators:
230V/50Hz, 110V/50Hz, 24V/50Hz, 48V=, 24V=, 12V=.

Available accessory:

KV SET 02

Reducer fitting for banjo-screw to change from 1/8" to 1/4", with captive seal.

Type	Funct.	Port 1	Port 2 banjo	Port 3	Air flow	Operating pressure	Power cons.	Weight
MH 311 014	n.c.	G 1/8"	G 1/8"	M5	60 l/min	-0,9 - 10 bar	3 W= / 5 VA	0,13 kg
MOH 311 014	n.o.	M5	G 1/8"	G 1/8"	60 l/min	-0,9 - 10 bar	3 W= / 5 VA	0,13 kg
MH 311 019 6	n.c.	Swivel 6 mm pif	G 1/8"	M5	50 l/min	-0,9 - 10 bar	3 W= / 5 VA	0,16 kg
MX 311 019 6	n.o.	Swivel 6 mm pif	G 1/8"	M5	50 l/min	-0,9 - 8 bar	3 W= / 5 VA	0,16 kg
MH 311 019 1/8	n.c.	Swivel G 1/8"	G 1/8"	hole	50 l/min	-0,9 - 10 bar	3 W= / 5 VA	0,16 kg
MX 311 019 1/8	n.o.	Swivel G 1/8"	G 1/8"	hole	50 l/min	-0,9 - 8 bar	3 W= / 5 VA	0,16 kg