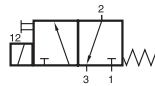
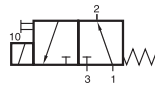


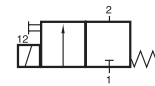
# MH 311 305/MH 311 309/MOH 311 305 MOH 311 309/MH 211 305/MH 211 309



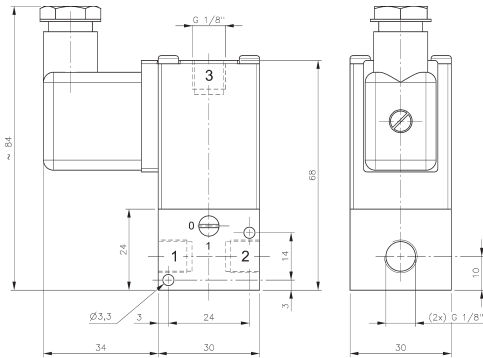
MH 311 305  
MH 311 309



MOH 311 305  
MOH 311 309



MH 211 305  
MH 211 309



MH 311 305/MOH 311 305/MH 211 305



Direct acting 3/2-way and 2/2-way solenoid valve equipped with mechanical spring return.  
Orifice size: 3 mm, max. pressure: 7 bar.

### Type MH 311 \_\_\_

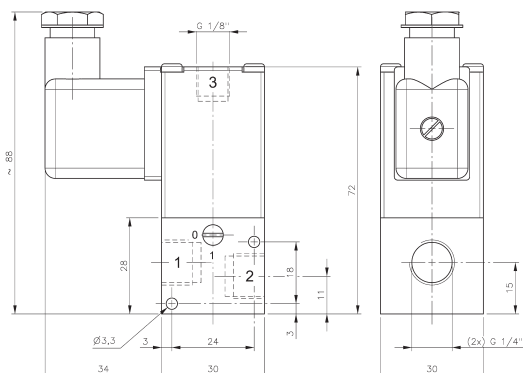
Normally closed, port 1 and 2 in the valve, port 3 at the top of the solenoid

### Type MOH 311 \_\_\_

Normally open, port 2 and 3 in the valve, port 1 at the top of the solenoid

### Type MH 211 \_\_\_

2/2-way valve n.c.



MH 311 309/MOH 311 309/MH 211 309

Please note:

Drawings are for MH 311 \_\_\_-valves. For MOH-valves ports 1 and 3 are swapped, for MH 211 port 3 is not existing.

Available with solenoid operators:  
230V/50Hz, 24V/50Hz, 24V=.

Valves are generally equipped with manual override.

Connector Industry B (22 mm). Flying leads on request.

Type	Ways	Function	Port size			Air flow	Operating Power		Weight
			1	2	3		pressure	consumption	
MH 311 305	3/2	n.c.	G 1/8"	G 1/8"	G 1/8"	200 l/min	0 - 7 bar	7,5 W = /8,5 VA ~ 0,17 kg	
MH 311 309	3/2	n.c.	G 1/4"	G 1/4"	G 1/8"	200 l/min	0 - 7 bar	7,5 W = /8,5 VA ~ 0,18 kg	
MOH 311 305	3/2	n.o.	G 1/8"	G 1/8"	G 1/8"	200 l/min	0 - 7 bar	7,5 W = /8,5 VA ~ 0,17 kg	
MOH 311 309	3/2	n.o.	G 1/4"	G 1/4"	G 1/8"	200 l/min	0 - 7 bar	7,5 W = /8,5 VA ~ 0,18 kg	
MH 211 305	2/2	n.c.	G 1/8"	G 1/8"		200 l/min	0 - 7 bar	7,5 W = /8,5 VA ~ 0,17 kg	
MH 211 309	2/2	n.c.	G 1/4"	G 1/4"		200 l/min	0 - 7 bar	7,5 W = /8,5 VA ~ 0,18 kg	