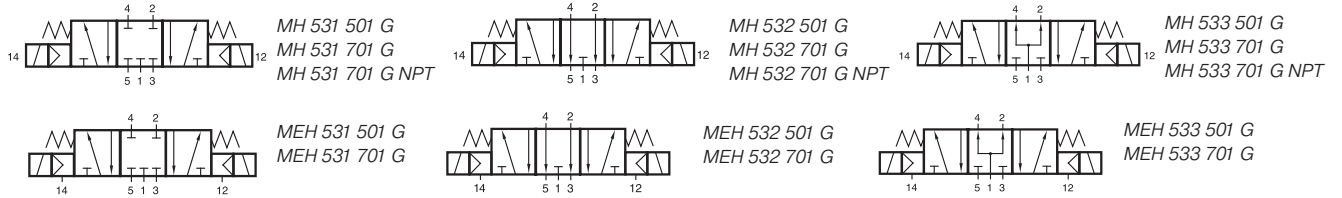
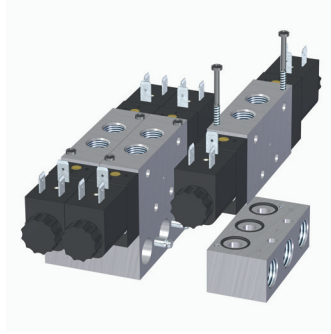
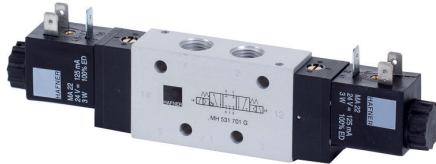


MH 53_ 501 G/MH 53_ 701 G



G-Series 501 G/701 G

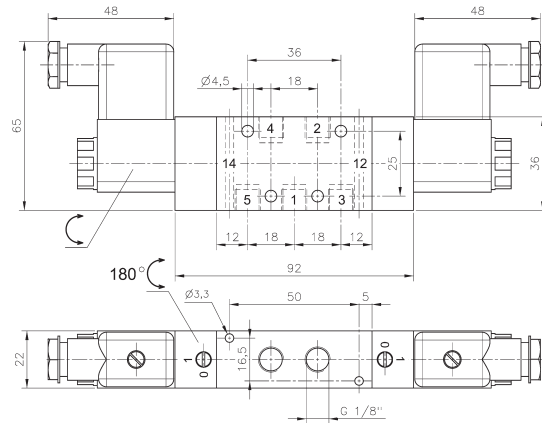


5/3-way solenoid valve with spring return to middle position, actuated by permanent signal.

- Type 531 centre closed
- Type 532 centre exhausted
- Type 533 centre pressurised

When ordering please complete the type number by 1, 2 or 3 according to the type required.

The G-Series valves offer the flexibility of in-line fitment as well as the option of being assembled on to a manifold as shown. Manifolds for valves type 501 G are displayed on page 2.7.2.2, manifolds for valves type 701 G are displayed on page 2.7.2.3.



MH 53_ 501 G

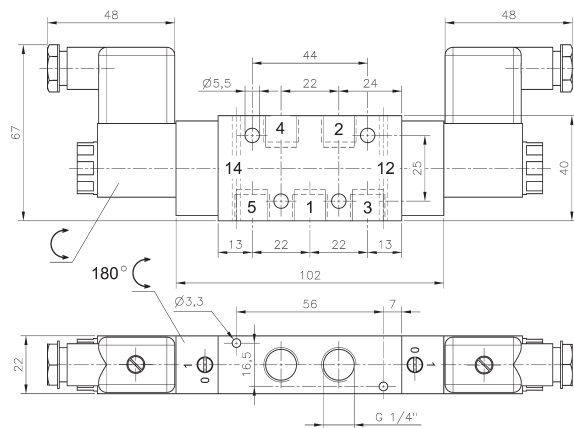
Available with solenoid operators:
230V/50Hz, 110V/50Hz, 24V/50Hz, 48V=,
24V=, 12V=.

Valves are generally equipped with manual override. If requested without manual override please order M 53_ ___ G.

Valves are also available with external pilot feed.
Type: MEH 53 ___ G (please add 1 digit for type and 3 digits for size).

Ports 12 and 14: M5.
Minimum actuation pressure: 3 bar.
Operating pressure: 0- 10 bar.

Version for vacuum on request.



MH 53_ 701 G/MH 53_ 701 G NPT

Type	Port size	Air flow	Operating press.	Power consumption	Weight	
MH 53_ 501 G	G 1/8"	650 l/min	3 - 10 bar	3 W = / 5 VA ~	0,33 kg	Ex
MH 53_ 701 G	G 1/4"	1250 l/min	3 - 10 bar	3 W = / 5 VA ~	0,35 kg	Ex
MH 53_ 701 G NPT	1/4" NPT	1250 l/min	3 - 10 bar	3 W = / 5 VA ~	0,35 kg	Ex