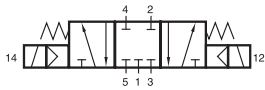
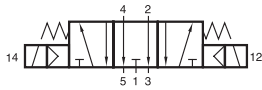


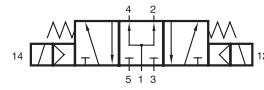
# MD 53\_301/MD 53\_341 MD 53\_401/MD 53\_461



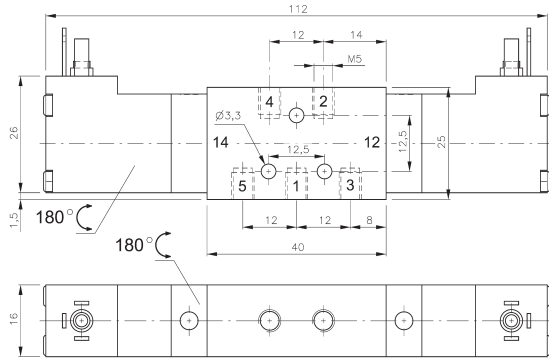
MD 531 301  
MD 531 341  
MD 531 401  
MD 531 461



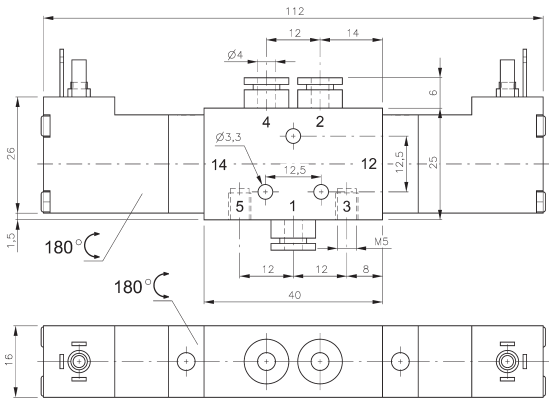
MD 532 301  
MD 532 341  
MD 532 401  
MD 532 461



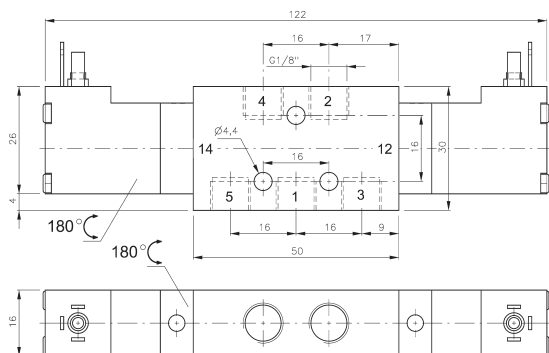
MD 533 301  
MD 533 341  
MD 533 401  
MD 533 461



MD 53\_301



MD 53\_341



MD 53\_401



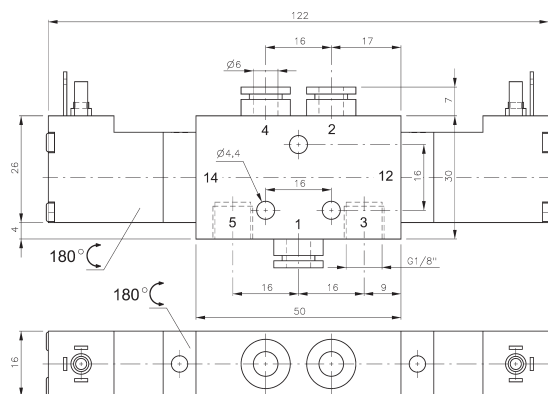
5/3-way solenoid valve with spring return to middle position, actuated by permanent signal.

- Type 531 centre closed
- Type 532 centre exhausted
- Type 533 centre pressurised

When ordering please complete the type number by 1, 2 or 3 according to the type required.

Available with solenoid operators:  
230V/50Hz, 110V/50Hz, 24V/50Hz, 24V=, 6V=  
either for connector form C ISO 15217 or with flying leads, standard cable length 500 mm. For details about solenoid system, please refer to page 2.13.1.

Valves are generally equipped with manual override to push.



MD 53\_461

Type	Ports 1, 2, 4	Air flow	Operating press.	Power consumption	Weight
MD 53_301	M5	280 l/min	3 - 10 bar	1,8 W = / 3,0 VA ~	0,13 kg
MD 53_341	pif 4 mm	280 l/min	3 - 10 bar	1,8 W = / 3,0 VA ~	0,14 kg
MD 53_401	G 1/8"	450 l/min	3 - 10 bar	1,8 W = / 3,0 VA ~	0,15 kg
MD 53_461	pif 6 mm	450 l/min	3 - 10 bar	1,8 W = / 3,0 VA ~	0,16 kg