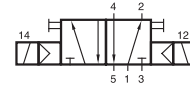
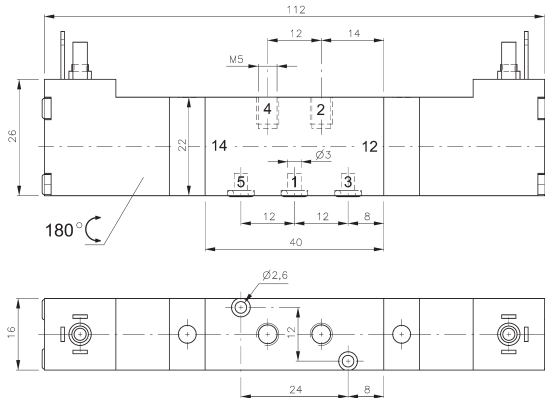


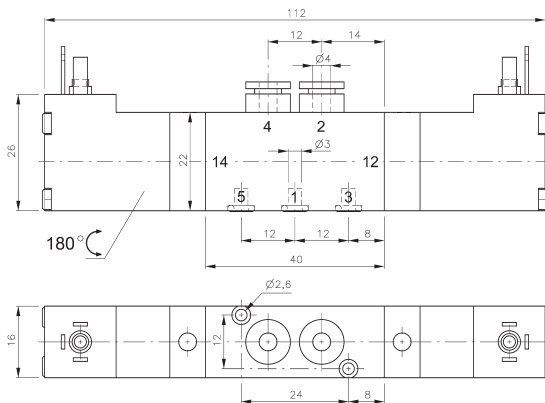
MD 520 303/MD 520 343 MD 520 403/MD 520 463



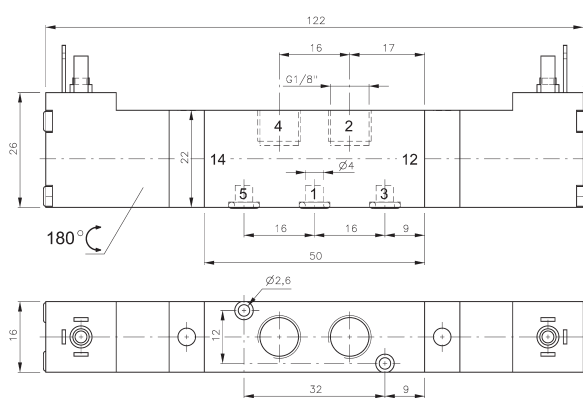
MD 520 303
MD 520 343
MD 520 403
MD 520 463



MD 520 303



MD 520 343



MD 520 403



5/2-way double solenoid valve actuated by impulse. Position is kept until an electrical signal is applied to the opposite side even when not attached to electrical source. Ports 2 and 4 are in the valve, ports 1, 3 and 5 in the manifold plate.

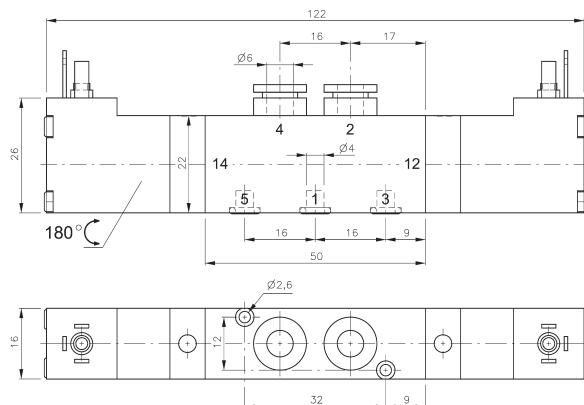
Available with solenoid operators: 230V/50Hz, 110V/50Hz, 24V/50Hz, 24V=, 12V=, 6V= either for connector form C ISO 15217 or with flying leads, standard cable length 500 mm. For details about solenoid system, please refer to page 2.13.1.

Valves are generally equipped with manual override to push.

Manifolds are displayed on page 2.7.2.1.

Blanking plates are also available type BP 5 303 or BP 5 403.

Mounting screws and seals are included.



MD 520 463

Type	Ports 1, 2, 4	Air flow	Operating press.	Power consumption	Weight
MD 520 303	M5	280 l/min	3 - 10 bar	1,8 W = / 3,0 VA ~	0,13 kg
MD 520 343	pif 4 mm	280 l/min	3 - 10 bar	1,8 W = / 3,0 VA ~	0,14 kg
MD 520 403	G 1/8"	450 l/min	3 - 10 bar	1,8 W = / 3,0 VA ~	0,14 kg
MD 520 463	pif 6 mm	450 l/min	3 - 10 bar	1,8 W = / 3,0 VA ~	0,15 kg