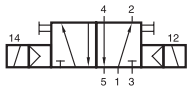
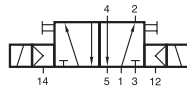


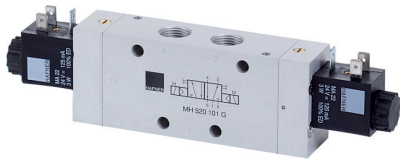
# MH 520 101 G/MH 520 121 G



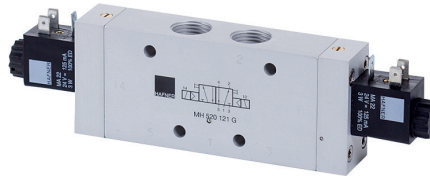
MH 520 101 G  
MH 520 121 G



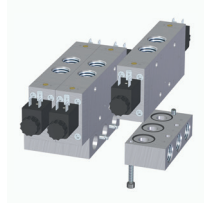
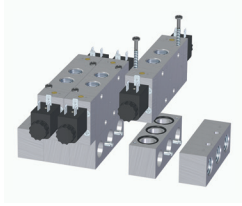
MEH 520 101 G  
MEH 520 121 G



G-Series 101 G



G-Series 121 G



5/2-way double solenoid valve actuated by impulse. Position is kept until an electrical signal is applied to the opposite side even when not attached to electrical source.

The G-Series valves offer the flexibility of in-line fitment as well as the option of being assembled on to a manifold as shown. Manifolds for valves type 101 G are displayed on page 2.7.2.4, manifolds for valves type 121 G are displayed on page 2.7.2.5.

Please note: Valves G 1/2" have to be assembled onto the plate by fixing screws from the bottom through the plate into the valve.

Available with solenoid operators:  
230V/50Hz, 110V/50Hz, 24V/50Hz, 48V=,  
24V=, 12V=.

Valves are generally equipped with manual override. If requested without manual override please order M 520 \_\_\_ G

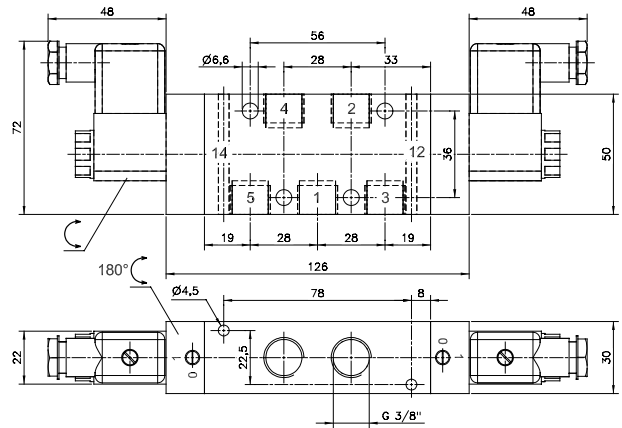
Valves are also available with external pilot feed.  
Type: MEH 520 \_\_\_ G.

Ports 12 and 14: G 1/8".

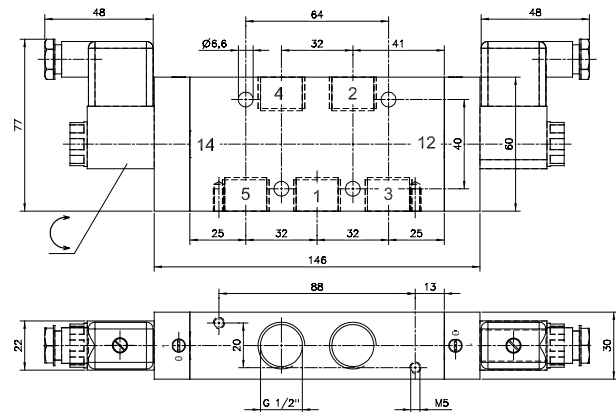
Minimum actuation pressure: 2,5 bar.

Operating pressure: 0 - 10 bar.

Version for vacuum on request.



MH 520 101 G



MH 520 121 G

Type	Port size	Air flow	Operating press.	Power consumption	Weight
MH 520 101 G	G 3/8"	2250 l/min	1,5 - 10 bar	3 W = / 5 VA ~	0,66 kg
MH 520 121 G	G 1/2"	3000 l/min	1 - 10 bar	3 W = / 5 VA ~	0,84 kg