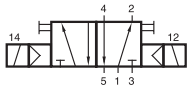
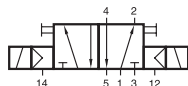


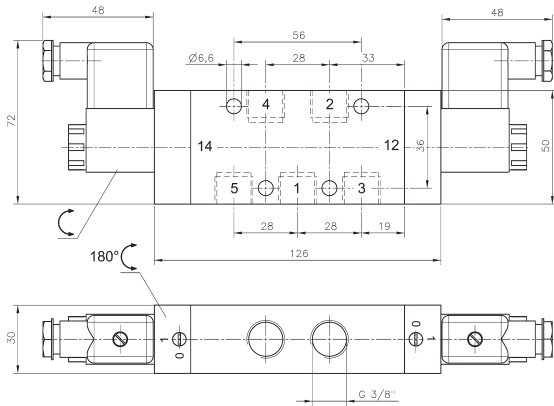
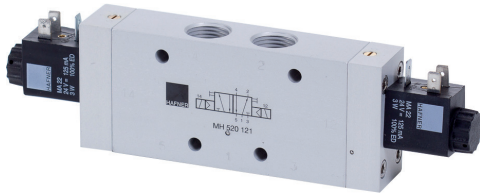
# MH 520 101/MH 520 121/MH 520 181



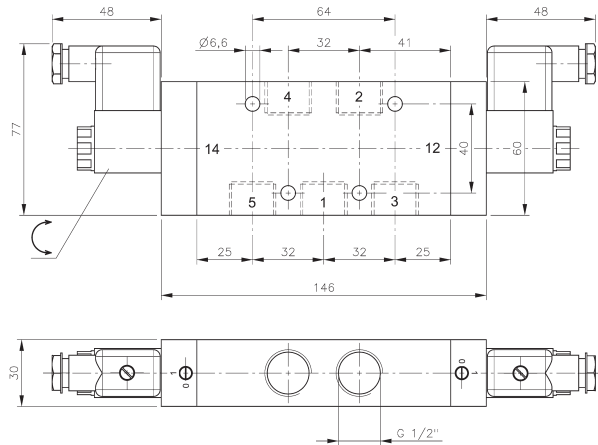
MH 520 101  
MH 520 121  
MH 520 181  
MH 520 121 NPT



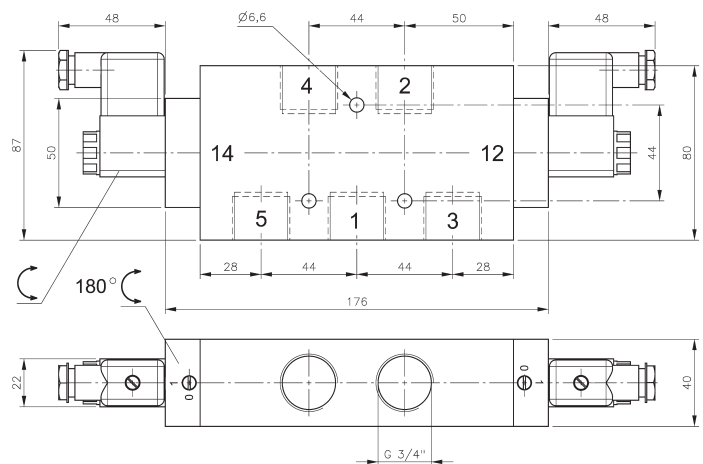
MEH 520 101  
MEH 520 121  
MEH 520 181



**MH 520 101**



**MH 520 121/ MH 520 121 NPT**



**MH 520 181**

5/2-way double solenoid valve actuated by impulse.  
Position is kept until an electrical signal is applied to the opposite side even when not attached to electrical source.

Available with solenoid operators:  
230V/50Hz, 110V/50Hz, 24V/50Hz, 48V=,  
24V=, 12V=.

Valves are generally equipped with manual override.  
If requested without manual override please order  
M 520 \_ \_ \_ .

Valves are also available with external pilot feed.  
Type: MEH 520 \_ \_ \_ .  
Ports 12 and 14: G 1/8\"

Version for vacuum on request.

Type	Port size	Air flow	Operating press.	Power consumption	Weight
MH 520 101	G 3/8"	2250 l/min	1,5 - 10 bar	3 W = / 5 VA ~	0,66 kg
MH 520 121	G 1/2"	3000 l/min	1 - 10 bar	3 W = / 5 VA ~	0,84 kg
MH 520 181	G 3/4"	6000 l/min	1 - 10 bar	3 W = / 5 VA ~	1,45 kg
MH 520 121 NPT	1/2" NPT	3000 l/min	1 - 10 bar	3 W = / 5 VA ~	0,84 kg