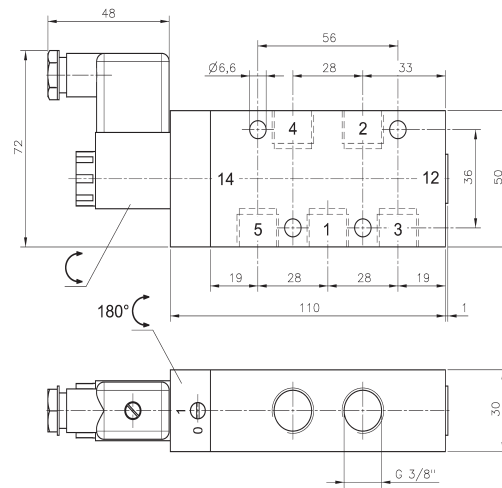
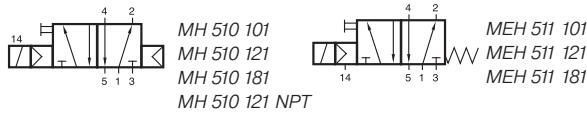


# MH 510 101/MH 510 121/MH 510 181



**MH 510 101**

5/2-way solenoid valve actuated by permanent signal and equipped with air spring return.

Available with solenoid operators:  
230V/50Hz, 110V/50Hz, 24V/50Hz, 48V=, 24V=, 12V=.

Valves are generally equipped with manual override. If requested without manual override please order M 510 \_\_\_\_.

Valves are also available with external pilot feed.

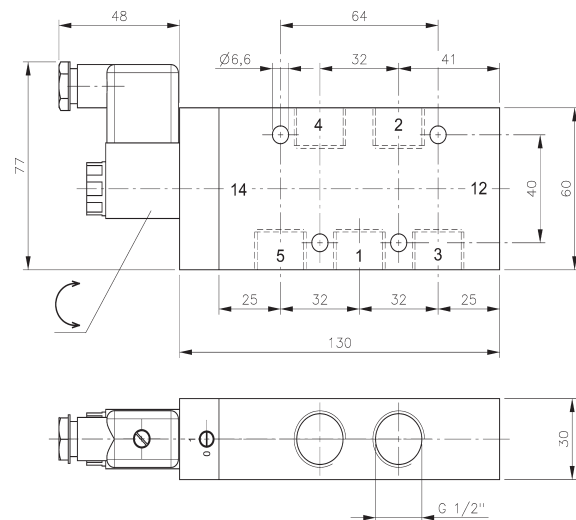
Type: MEH 511 \_\_\_\_.

Port 14: G 1/8".

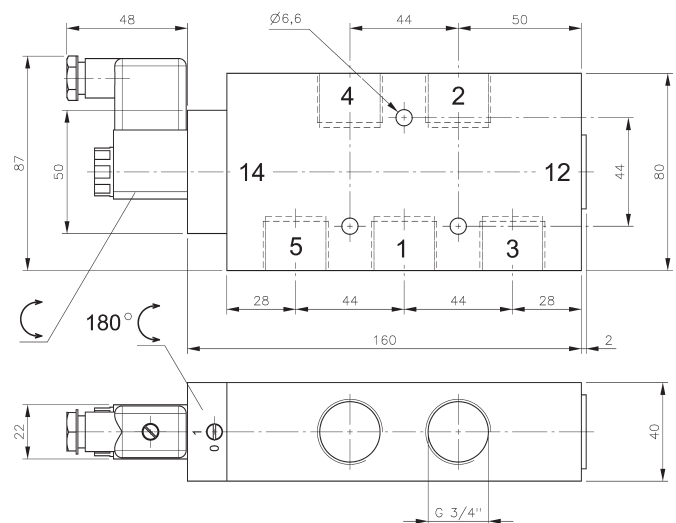
Minimum actuation pressure: 3 bar.

Operating pressure: 0 - 10 bar.

Version for vacuum on request.



**MH 510 121/MH 510 121 NPT**



**MH 510 181**

Type	Port size	Air flow	Operating press.	Power consumption	Weight
MH 510 101	G 3/8"	2250 l/min	1,5 - 10 bar	3 W = / 5 VA ~	0,50 kg
MH 510 121	G 1/2"	3000 l/min	1 - 10 bar	3 W = / 5 VA ~	0,67 kg
MH 510 181	G 3/4"	6000 l/min	1 - 10 bar	3 W = / 5 VA ~	1,29 kg
MH 510 121 NPT	1/2" NPT	3000 l/min	1 - 10 bar	3 W = / 5 VA ~	0,67 kg