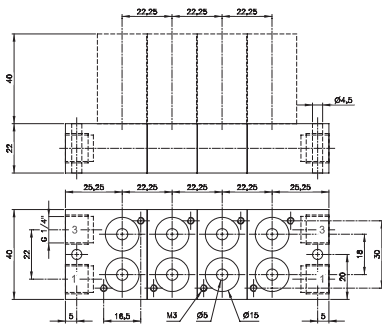
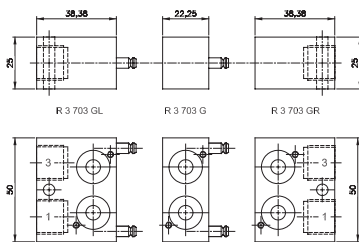


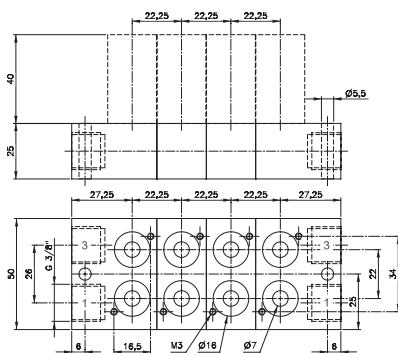
Parts of modular manifold RB 3__ 503 G



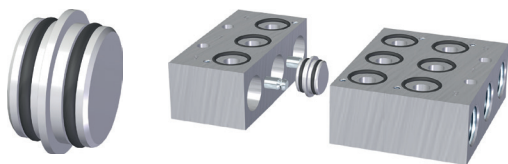
RB 3__ 503 G Orifice size: 10 mm



Parts of modular manifold RB 3__ 703 G

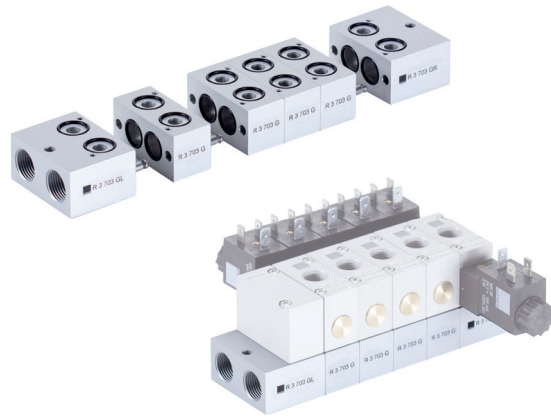


RB 3__ 703 G Orifice size: 15 mm



BS 503/BS 3 703

By adding a special plug (type BS 503/BS 3 703), two different pressures can be attached at the same manifold plate. The plug is intercepting the air-supply in the manifold plate wherever the customer likes to. Type BS 503 for manifold RB_503 G and BS 3 703 for manifold RB_703 G.



Modular manifold system for common connections to ports 1 (pressure) and 3 (exhaust). The system can be build and taken apart just by operating two hexagon socket screws. Additional stations can be added at any position and any time. End-plates are equipped with threads for adding DIN-rail mounting clips.

The following valves can be assembled to the system **RB 3__ 503 G**:

3/2 single sol. n.c.	G 1/8"	MH 310 501 G	page 2.5.1.1.16
3/2 single sol. n.o.	G 1/8"	MOH 310 501 G	page 2.5.1.1.16
3/2 double sol.	G 1/8"	MH 320 501 G	page 2.5.1.1.20

The system consists of:

End-plate right	type R 3 503 GR
End-plate left	type R 3 503 GL
Individual position	type R 3 503 G

Blanking plates are also available type BP 3 503.

The following valves can be assembled to the system **RB 3__ 703 G**:

3/2 single sol. n.c.	G 1/4"	MH 310 701 G	page 2.5.1.1.16
3/2 single sol. n.o.	G 1/4"	MOH 310 701 G	page 2.5.1.1.16
3/2 double sol.	G 1/4"	MH 320 701 G	page 2.5.1.1.20

The system consists of:

End-plate right	type R 3 703 GR
End-plate left	type R 3 703 GL
Individual position	type R 3 703 G

Blanking plates are also available type BP 3 703.

The plates can also be ordered assembled by the manufacturer. In this case order RB 3__ 503 G (1/8") or RB 3__ 703 G (1/4"). Please add two digits for the number of positions required.

Type	Function	Weight
R 3 503 GR	End-plate right	0,07 kg
R 3 503 GL	End-plate left	0,07 kg
R 3 503 G	Individual position	0,05 kg

Type	Function	Weight
R 3 703 GR	End-plate right	0,11 kg
R 3 703 GL	End-plate left	0,11 kg
R 3 703 G	Individual position	0,07 kg
R 3 703 G D1	Individual position, with individual valve isolation	0,08 kg