

**Manually operated
2-way LUG
Cast iron butterfly valve**

H8056



H8056

Solid, manually operated 2-way Ductile Casting GG40 Genebre Butterfly Valve type LUG provided with lever.

SIZE

DN50 (2") to DN500 (20")

CONNECTION

- Bouwvorm: EN593
- Inbouwmaat: EN558-1, BS5155, ISO 5752
- DIN 3202 K1
- Aansluiting: DIN PN6/10/16, ANSI 150
- Mounting flange according to ISO 5211

NOMINAL PRESSURE

(applies to liquids category 2 (PED 97/23/EC))

DN50 - DN150: 16 bar

DN200 - DN300: 10 bar

TEMPERATURE RANGE

From -20° to +120°C

MATERIALEN

Body: GG40 (EN-JS-1030) (EN-GJS-400-15) with epoxy coating min 200 micron.

Disc: CF8M (1.4408) other material on request.

Seal: EPDM, other seals on request.

Medium temperature from -20 to 120°C

Shaft: AISI 416

Stem seal: EPDM

FLOW DIRECTION

Random

MOUNTING POSITION

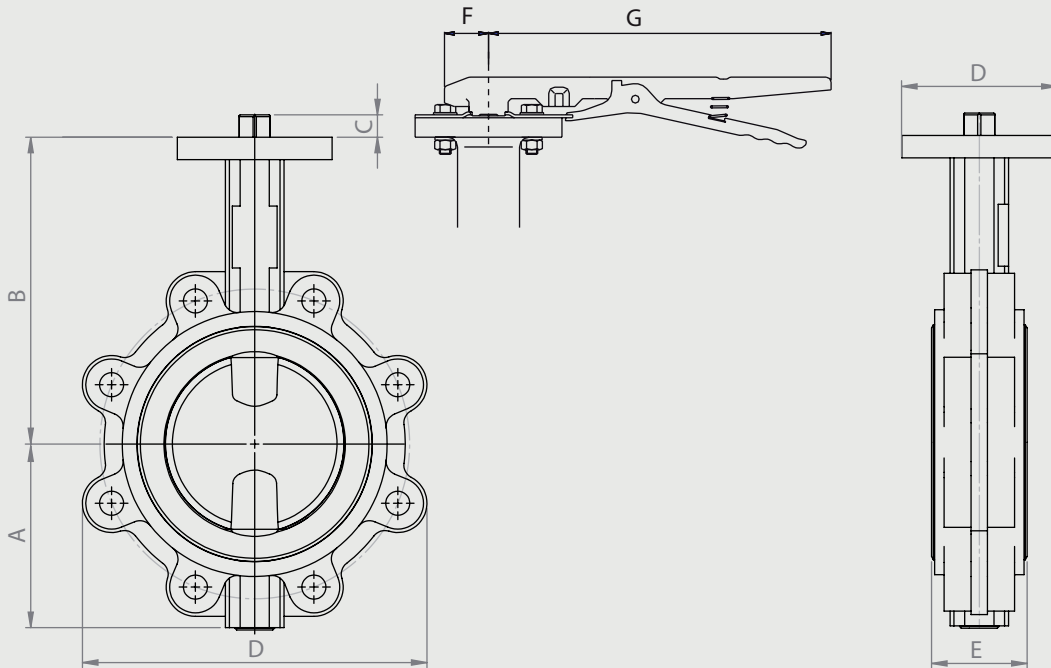
See mounting reference for industrial valves.

MEDIUM

Neutral gases and liquids. For applications with aggressive media consult resistance table. Certain media may increase the torque.

OPERATION (Standaard)

Met lange hendel



Butterfly valve EPDM seat GG40 SS316 disc with lever

Nominal[mm] connection[mm]		max. press. [bar]	M(1) +30% [Nm]	Flange	Square	Kv [m ³ /h]	Dimension [mm] and weight [kg]								Order Code
DN	Rp	PN					A	B	C	D	E	F	G	Weight	
50	2	16	18	F05	11	125	79	240	16	90	43	28	216	4,20	3H8056003340
65	2.1/2	16	20	F05	11	244	93	240	16	90	46	28	216	4,80	3H8056003345
80	3	16	28	F05	11	399	103	245	16	90	46	28	216	6,00	3H8056003350
100	4	16	48	F07	14	727	120	265	16	90	52	33,5	216	8,10	3H8056003355
125	5	16	75	F07	14	1190	133	290	16	90	56	33,5	216	9,80	3H8056003360
150	6	16	122	F07	17	1600	158	240	30	125	56	33,5	300	13,00	3H8056003365
200	8	10	225	F07/F10	17	2868	180	280	30	125	60	45	300	17,50	3H8056003370
250	10	10	372	F10	22	4697	216	325	40	125	68	45	300	28,50	3H8056003375
300	12	10	558	F10/F12	22	6987	251	351	40	150	78	45	290	49,60	3H8056003380

