

Manually operated
2-weg WAFER
Cast iron butterfly valve

H8051



H8051

Robuuste, handbediende 2-weg Gietijzeren GG20 Genebre vlinderklep type WAFER

SIZE

DN50 (2") to DN500 (20")

CONNECTION

- Bouwvorm: EN593
- Inbouwmaat: EN558-1, BS5155, ISO 5752
- DIN 3202 K1
- Aansluiting: DIN PN6/10/16, ANSI 150
- Mounting flange according to ISO 5211

NOMINAL PRESSURE

(applies to liquids category 2 (PED 97/23/EC))

DN50 - DN300: 16 bar

DN350 - DN500: 10 bar

TEMPERATURE RANGE

From -20° to +120°C

MATERIALEN

Huis: GG20 met epoxy coating min 200 micron.
Klepblad: AISI 316 andere materialen op aanvraag.
A chting: EPDM, andere afdichtingen op aanvraag.
Medium temperatuur van -20 tot 120°C
As: AISI 416
As afdichting: EPDM

FLOW DIRECTION

Random

MOUNTING POSITION

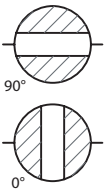
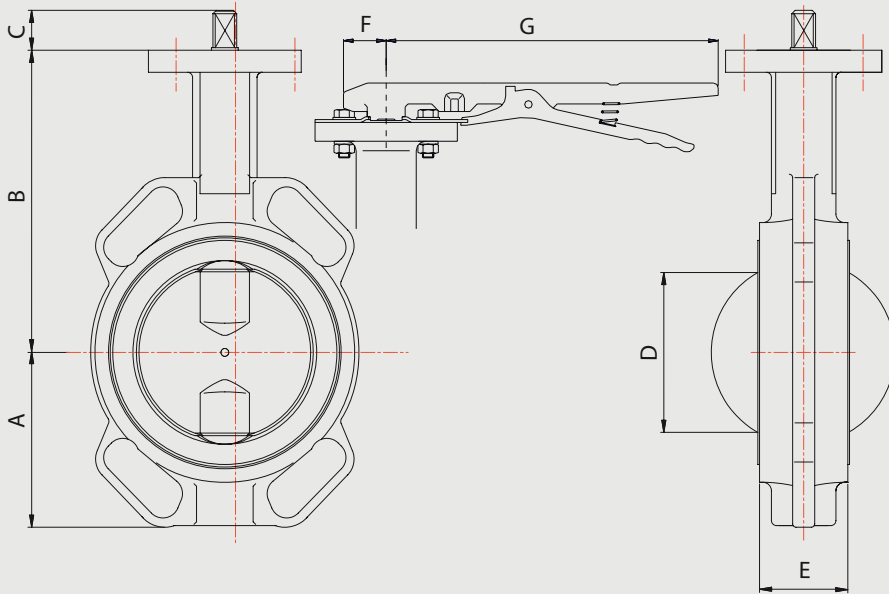
See mounting reference for industrial valves.

MEDIUM

Neutral gases and liquids. For applications with aggressive media consult resistance table. Certain media may increase the torque.

OPERATION (Standaard)

Met lange hendel



Butterfly valve EPDM seat GG20 SS316 disc with lever

Nominal[mm] connection[mm]		max. press. [bar] PN	M(1) +30% [Nm]	Flange	Square	Kv [m3/h]	Dimension [mm] and weight [kg]								Order Code
DN	Rp						A	B	C	D	E	F	G	Weight	
50	2	16	18	F05	11	39	70	206	30	30	43	28	180	2,80	3H8051003340
65	2.1/2	16	20	F05	11	77	80	206	30	45	46	28	180	3,30	3H8051003345
80	3	16	28	F05	11	126	100	206	30	64	46	28	180	3,80	3H8051003350
100	4	16	48	F07	14	229	115	238	30	90	52	33,5	215	6,10	3H8051003355
125	5	16	75	F07	14	375	125	268	30	110	56	33,5	215	7,40	3H8051003360
150	6	16	122	F07	14	505	145	268	30	146	56	33,5	215	8,90	3H8051003365
200	8	16	225	F07/F10	17	904	150	268	30	194	60	45	300	14,40	3H8051003370
250	10	16	372	F10	22	1481	200	288	40	242	68	45	300	21,20	3H8051003375
300	12	16	558	F10/F12	22	2203	250	318	40	292	78	45	290	37,50	3H8051003380
350	14	10	715	F12	22	2874	260	343	45	259	78	62,5	290	56,10	3H8051003385
400	16	10	982	F14	27	3809	300	373	45	309	102	62,5	290	77,60	3H8051003390
450	18	10	1316	F14	27	4695	330	398	45	327	114	75	400	118,50	3H8051003395
500	20	10	1755	F14	36	6093	370	433	45	363	127	75	400	151,50	3H8051003396

Butterfly valve NBR seat GG20 SS316 disc with lever

Nominal[mm] connection[mm]		max. press. [bar] PN	M(1) +30% [Nm]	Flange	Square	Kv [m3/h]	Dimension [mm] and weight [kg]								Order Code
DN	Rp						A	B	C	D	E	F	G	Weight	
50	2	16	18	F05	11	39	70	206	30	30	43	28	180	2,80	3H8051103340
65	2.1/2	16	20	F05	11	77	80	206	30	45	46	28	180	3,30	3H8051103345
80	3	16	28	F05	11	126	100	206	30	64	46	28	180	3,80	3H8051103350
100	4	16	48	F07	14	229	115	238	30	90	52	33,5	215	6,10	3H8051103355
125	5	16	75	F07	14	375	125	268	30	110	56	33,5	215	7,40	3H8051103360
150	6	16	122	F07	14	505	145	268	30	146	56	33,5	215	8,90	3H8051103365
200	8	16	225	F07/F10	17	904	150	268	30	194	60	45	300	14,40	3H8051103370
250	10	16	372	F10	22	1481	200	288	40	242	68	45	300	21,20	3H8051103375
300	12	16	558	F10/F12	22	2203	250	318	40	292	78	45	290	37,50	3H8051103380
350	14	10	715	F12	22	2874	260	343	45	259	78	62,5	290	56,10	3H8051103385
400	16	10	982	F14	27	3809	300	373	45	309	102	62,5	290	77,60	3H8051103390
450	18	10	1316	F14	27	4695	330	398	45	327	114	75	400	118,50	3H8051103395
500	20	10	1755	F14	36	6093	370	433	45	363	127	75	400	151,50	3H8051103396

