

Electrically operated  
Direct-acting 2-way  
Polyprop (PP) solenoid valve  
**BURKERT 0330**



### Burkert 0330

Burkert 0330, Burkert 0124, Electrically operated direct-acting 2/2-way polyprop (PP) solenoid valve.

#### SIZE

DN3,0 to DN5,0 (1/4")

#### CONNECTION

- 2-Sided female thread according to ISO 228
- 3-Sided female thread according to ISO 228

#### NOMINAL PRESSURE

Maximum 16bar

#### TEMPERATURE FLUID

From:

0° to +80°C (NBR)

0° to +80°C (FPM)

-30° to +80°C (EPDM)

#### MATERIALS

Body: Polyprop (PP)

Seal: FPM or EPDM

Internal parts: Polyprop (PP)

#### FLOW DIRECTION

A: 2/2 way direct-acting solenoid valve, normally closed

B: 2/2 way direct-acting solenoid valve, normally open

#### MOUNTING POSITION

Solenoid valve can be mounted in any position, preferably mounting with the coil pointing vertically upwards.

#### MEDIUM

Aggressive gases and liquids. For applications with aggressive media consult resistance table.

#### SOME ADVANTAGES

Direct acting, total isolation solenoid valve: the actuator is totally isolated from the fluid so that the wetted parts are just the body and the diaphragm.

#### VOLTAGE TOLERANCE

+ 10% / -10%

#### DUTY CYCLE

100% ED

#### AMBIENT TEMPERATURE

max. + 55 ° C

#### ELECTRICAL CONNECTION

Plug DIN 43650 for DIN A plugs

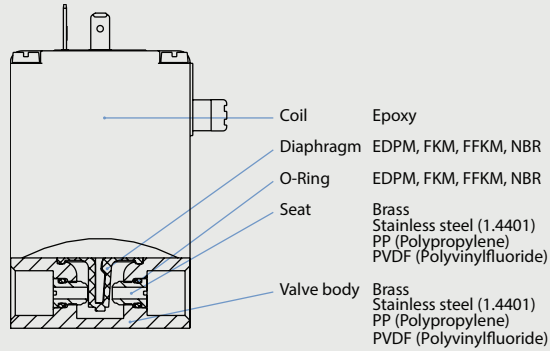
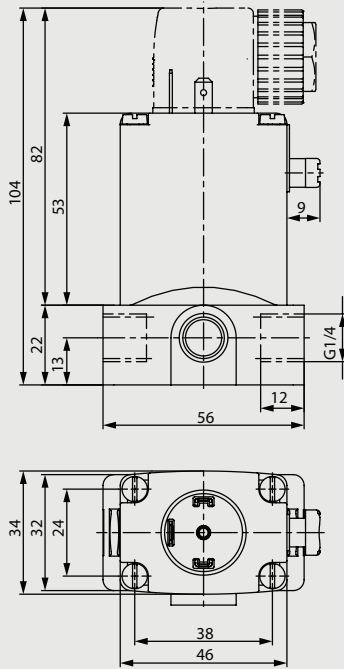
#### ELECTRIC PROTECTION

With plug Type 2508 / HST30 IP65

#### TECHNICAL SPECIFICATIONS

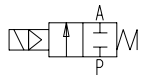
- Maximum allowable pressure: 16 bar
- Opening time: AC DN2-4mm 8-15ms, DC DN2-4mm 10-20ms.
- Closing time: AC DN2-4mm 8-15ms, DC DN2-4mm 10-20ms.
- Maximum viscosity: 5 ° E (~37 cStokes or mm<sup>2</sup>/ s)

Electrically operated  
Direct-acting 2-way  
Polyprop (PP) solenoid valve  
**BURKERT 0330**



**2/2 NC, EPDM, 024V/DC**

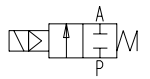
Burkert 0330 A 2/2 way direct acting solenoid valve electrically operated NC (normally closed) 24 volt DC



Nominal[mm] connection[mm]		Press. (min)	Press. (max) Gas	Press. (max) Liquid	Kv [m3/h]	Coil	Consumption	Dimension [mm] and weight [kg]				Order Code
DN	Rp							Length	Width	Height	Weight	
3,0	G1/4	0	8	8	0,25		8W	56	34	104	0,400	00067214
4,0	G1/4	0	4	4	0,30		8W	56	34	104	0,400	00021660
5,0	G1/4	0	3	3	0,40		8W	56	34	104	0,400	00061321

**2/2 NC, EPDM, 024V/50Hz**

Burkert 0330 A 2/2 way direct acting solenoid valve electrically operated NC (normally closed) 24 volt AC



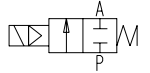
Nominal[mm] connection[mm]		Press. (min)	Press. (max) Gas	Press. (max) Liquid	Kv [m3/h]	Coil	Consumption	Dimension [mm] and weight [kg]				Order Code
DN	Rp							Length	Width	Height	Weight	
3,0	G1/4	0	10	10	0,25		20-11VA	56	34	104	0,400	00021105
4,0	G1/4	0	5	5	0,30		20-11VA	56	34	104	0,400	00067731
5,0	G1/4	0	4,5	4,5	0,40		20-11VA	56	34	104	0,400	00054261

**Electrically operated  
Direct-acting 2-way  
Polyprop (PP) solenoid valve**

# BURKERT 0330

**2/2 NC, EPDM, 110V/50Hz**

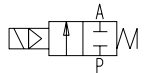
Burkert 0330 A 2/2 way direct acting solenoid valve electrically operated NC (normally closed) 110 volt AC



Nominal[mm] connection[mm]		Press. (min)	Press. (max) Gas	Press. (max) Liquid	Kv [m3/h]	Coil	Consumption	Dimension [mm] and weight [kg]				Order Code
DN	Rp							Length	Width	Height	Weight	
5,0	G1/4	0	4,5	4,5	0,40		20-11VA	56	34	104	0,400	00088468

**2/2 NC, EPDM, 230V/50Hz**

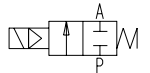
Burkert 0330 A 2/2 way direct acting solenoid valve electrically operated NC (normally closed) 230 volt AC



Nominal[mm] connection[mm]		Press. (min)	Press. (max) Gas	Press. (max) Liquid	Kv [m3/h]	Coil	Consumption	Dimension [mm] and weight [kg]				Order Code
DN	Rp							Length	Width	Height	Weight	
3,0	G1/4	0	10	10	0,25		20-11VA	56	34	104	0,400	00062398
4,0	G1/4	0	5	5	0,30		20-11VA	56	34	104	0,400	00063118
5,0	G1/4	0	4,5	4,5	0,40		20-11VA	56	34	104	0,400	00049969

**2/2 NC, FPM, 024V/DC**

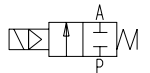
Burkert 0330 A 2/2 way direct acting solenoid valve electrically operated NC (normally closed) 24 volt DC



Nominal[mm] connection[mm]		Press. (min)	Press. (max) Gas	Press. (max) Liquid	Kv [m3/h]	Coil	Consumption	Dimension [mm] and weight [kg]				Order Code
DN	Rp							Length	Width	Height	Weight	
3,0	G1/4	0	8	8	0,25		8W	56	34	104	0,400	00018410
4,0	G1/4	0	4	4	0,30		8W	56	34	104	0,400	00026295
5,0	G1/4	0	3	3	0,40		8W	56	34	104	0,400	00026624

**2/2 NC, FPM, 024V/50Hz**

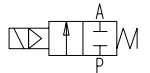
Burkert 0330 A 2/2 way direct acting solenoid valve electrically operated NC (normally closed) 24 volt AC



Nominal[mm] connection[mm]		Press. (min)	Press. (max) Gas	Press. (max) Liquid	Kv [m3/h]	Coil	Consumption	Dimension [mm] and weight [kg]				Order Code
DN	Rp							Length	Width	Height	Weight	
3,0	G1/4	0	10	10	0,25		20-11VA	56	34	104	0,400	00088496
4,0	G1/4	0	5	5	0,30		20-11VA	56	34	104	0,400	00043005
5,0	G1/4	0	4,5	4,5	0,40		20-11VA	56	34	104	0,400	00067007

**2/2 NC, FPM, 230V/50Hz**

Burkert 0330 A 2/2 way direct acting solenoid valve electrically operated NC (normally closed) 230 volt AC



Nominal[mm] connection[mm]		Press. (min)	Press. (max) Gas	Press. (max) Liquid	Kv [m3/h]	Coil	Consumption	Dimension [mm] and weight [kg]				Order Code
DN	Rp							Length	Width	Height	Weight	
3,0	G1/4	0	10	10	0,25		20-11VA	56	34	104	0,400	00045635
4,0	G1/4	0	5	5	0,30		20-11VA	56	34	104	0,400	00063116
5,0	G1/4	0	4,5	4,5	0,40		20-11VA	56	34	104	0,400	00022619



Electrically operated  
Direct-acting 2-way  
Polyprop (PP) solenoid valve  
**BURKERT 0330**