

Electrically operated  
Direct-acting 3-way  
Polyprop (PP) solenoid valve  
**BURKERT 0330**



### Burkert 0330

Burkert 0330, Burkert 0124, Electrically operated direct-acting 3/2-way polyprop (PP) solenoid valve.

#### SIZE

DN2,0 to DN5,0 (1/4")

#### CONNECTION

- 2-Sided female thread according to ISO 228
- 3-Sided female thread according to ISO 228

#### NOMINAL PRESSURE

Maximum 16bar

#### TEMPERATURE FLUID

From:

- 0° to +80°C (NBR)
- 0° to +80°C (FPM)
- 30° to +80°C (EPDM)

#### MATERIALS

Body: Polyprop (PP)  
Seal: FPM or EPDM  
Internal parts: Polyprop (PP)

#### FLOW DIRECTION

- C: 3/2 way direct-acting solenoid valve, normally closed
- D: 3/2 way direct-acting solenoid valve, normally open
- F: 3/2 way direct-acting solenoid valve, mixing function
- F: 3/2 way direct-acting solenoid valve, distribution function
- T: 3/2 way direct-acting solenoid valve, flow direction optional

#### MOUNTING POSITION

Solenoid valve can be mounted in any position, preferably mounting with the coil pointing vertically upwards.

#### MEDIUM

Aggressive gases and liquids. For applications with aggressive media consult resistance table.

#### SOME ADVANTAGES

Direct acting, total isolation solenoid valve: the actuator is totally isolated from the fluid so that the wetted parts are just the body and the diaphragm.

#### VOLTAGE TOLERANCE

+ 10% / -10%

#### DUTY CYCLE

100% ED

#### AMBIENT TEMPERATURE

max. + 55 ° C

#### ELECTRICAL CONNECTION

Plug DIN 43650 for DIN A plugs

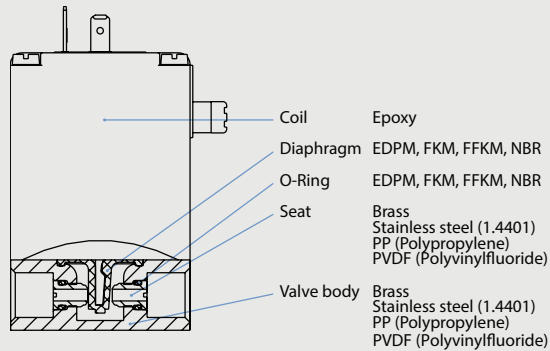
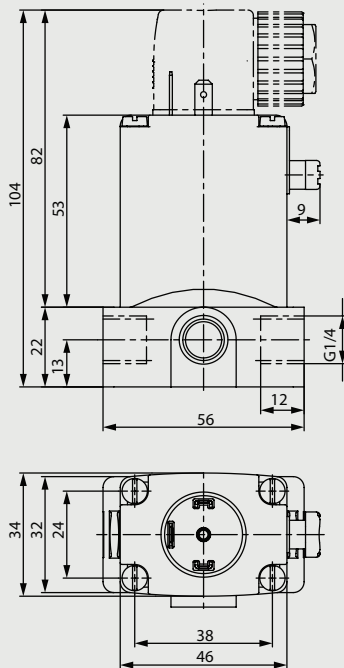
#### ELECTRIC PROTECTION

With plug Type 2508 / HST30 IP65

#### TECHNICAL SPECIFICATIONS

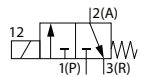
- Maximum allowable pressure: 16 bar
- Opening time: AC DN2-4mm 8-15ms, DC DN2-5mm 10-20ms.
- Closing time: AC DN2-4mm 8-15ms, DC DN2-4mm 10-20ms.
- Maximum viscosity: 5 ° E (~37 cStokes or mm<sup>2</sup>/s)

Electrically operated  
Direct-acting 3-way  
Polyprop (PP) solenoid valve  
**BURKERT 0330**



**3/2 NC, FPM, 024V/DC**

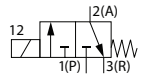
Burkert 0330 C 3/2 way direct acting solenoid valve electrically operated NC (normally closed) 24 volt DC



Nominal[mm] connection[mm]		Press. (min)	Press. (max) Gas	Press. (max) Liquid	Kv [m3/h]	Coil	Consump- tion	Dimension [mm] and weight [kg]				Order Code
DN	Rp							Length	Width	Height	Weight	
2,0	G1/4	0	12	12	0,13		8W	56	34	104	0,400	00054476
3,0	G1/4	0	8	8	0,25		8W	56	34	104	0,400	00023824
4,0	G1/4	0	4	4	0,30		8W	56	34	104	0,400	00062696
5,0	G1/4	0	3	3	0,40		8W	56	34	104	0,400	00272545

**3/2 NC, FPM, 024V/50Hz**

Burkert 0330 C 3/2 way direct acting solenoid valve electrically operated NC (normally closed) 24 volt AC



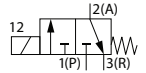
Nominal[mm] connection[mm]		Press. (min)	Press. (max) Gas	Press. (max) Liquid	Kv [m3/h]	Coil	Consump- tion	Dimension [mm] and weight [kg]				Order Code
DN	Rp							Length	Width	Height	Weight	
3,0	G1/4	0	10	10	0,25		20-11VA	56	34	104	0,400	00041689
4,0	G1/4	0	5	5	0,30		20-11VA	56	34	104	0,400	00088420

**Electrically operated  
Direct-acting 3-way  
Polyprop (PP) solenoid valve**

# BURKERT 0330

**3/2 NC, FPM, 230V/50Hz**

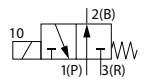
Burkert 0330 C 3/2 way direct acting solenoid valve electrically operated NC (normally closed) 230 volt AC



Nominal[mm] connection[mm]		Press. (min)	Press. (max) Gas	Press. (max) Liquid	Kv [m3/h]	Coil	Consump- tion	Dimension [mm] and weight [kg]				Order Code
DN	Rp							Length	Width	Height	Weight	
3,0	G1/4	0	10	10	0,18		20-11VA	56	34	104	0,400	00132884
4,0	G1/4	0	5	5	0,23		20-11VA	56	34	104	0,400	00059636

**3/2 NO, FPM, 024V/DC**

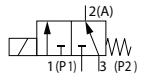
Burkert 0330 D 3/2 way direct acting solenoid valve electrically operated NO (normally open) 24 volt DC



Nominal[mm] connection[mm]		Press. (min)	Press. (max) Gas	Press. (max) Liquid	Kv [m3/h]	Coil	Consump- tion	Dimension [mm] and weight [kg]				Order Code
DN	Rp							Length	Width	Height	Weight	
2,0	G1/4	0	12	12	0,13		8W	56	34	104	0,400	00017102
4,0	G1/4	0	4	4	0,30		8W	56	34	104	0,400	00067620

**3/2 Mixing Function, FPM, 024V/DC**

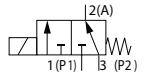
Burkert 0330 E 3/2 way direct acting solenoid valve electrically operated E (mixing) 24 volt DC.



Nominal[mm] connection[mm]		Press. (min)	Press. (max) Gas	Press. (max) Liquid	Kv [m3/h]	Coil	Consump- tion	Dimension [mm] and weight [kg]				Order Code
DN	Rp							Length	Width	Height	Weight	
3,0	G1/4	0	4	4	0,25		8W	56	34	104	0,400	00069917
4,0	G1/4	0	2	2	0,30		8W	56	34	104	0,400	00061077

**3/2 Mixing Function, FPM, 024V/50Hz**

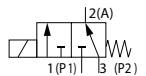
Burkert 0330 E 3/2 way direct acting solenoid valve electrically operated E (mixing) 24 volt AC.



Nominal[mm] connection[mm]		Press. (min)	Press. (max) Gas	Press. (max) Liquid	Kv [m3/h]	Coil	Consump- tion	Dimension [mm] and weight [kg]				Order Code
DN	Rp							Length	Width	Height	Weight	
3,0	G1/4	0	6	6	0,25		20-11VA	56	34	104	0,400	00066230
4,0	G1/4	0	3	3	0,30		20-11VA	56	34	104	0,400	00086921

**3/2 Mixing Function, FPM, 230V/50Hz**

Burkert 0330 E 3/2 way direct acting solenoid valve electrically operated E (mixing) 230 volt AC.



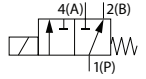
Nominal[mm] connection[mm]		Press. (min)	Press. (max) Gas	Press. (max) Liquid	Kv [m3/h]	Coil	Consump- tion	Dimension [mm] and weight [kg]				Order Code
DN	Rp							Length	Width	Height	Weight	
3,0	G1/4	0	6	6	0,25		20-11VA	56	34	104	0,400	00022294
4,0	G1/4	0	3	3	0,30		20-11VA	56	34	104	0,400	00053406

**Electrically operated  
Direct-acting 3-way  
Polyprop (PP) solenoid valve**

# BURKERT 0330

**3/2 Distribution Function, FPM, 024V/DC**

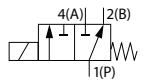
Burkert 0330 F 3/2 way direct acting solenoid valve electrically operated F (distribution) 24 volt DC.



Nominal[mm] connection[mm]		Press. (min)	Press. (max) Gas	Press. (max) Liquid	Kv [m3/h]	Coil	Consumption	Dimension [mm] and weight [kg]				Order Code
DN	Rp							Length	Width	Height	Weight	
3,0	G1/4	0	8	8	0,25		8W	56	34	104	0,400	00157376
4,0	G1/4	0	4	4	0,30		8W	56	34	104	0,400	00020528

**3/2 Distribution Function, FPM, 024V/50Hz**

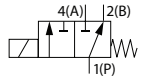
Burkert 0330 F 3/2 way direct acting solenoid valve electrically operated F (distribution) 24 volt AC.



Nominal[mm] connection[mm]		Press. (min)	Press. (max) Gas	Press. (max) Liquid	Kv [m3/h]	Coil	Consumption	Dimension [mm] and weight [kg]				Order Code
DN	Rp							Length	Width	Height	Weight	
4,0	G1/4	0	5	5	0,30		20-11VA	56	34	104	0,400	00043284

**3/2 Distribution Function, FPM, 230V/50Hz**

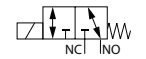
Burkert 0330 F 3/2 way direct acting solenoid valve electrically operated F (distribution) 230 volt AC.



Nominal[mm] connection[mm]		Press. (min)	Press. (max) Gas	Press. (max) Liquid	Kv [m3/h]	Coil	Consumption	Dimension [mm] and weight [kg]				Order Code
DN	Rp							Length	Width	Height	Weight	
4,0	G1/4	0	5	5	0,30		20-11VA	56	34	104	0,400	00045935

**3/2 Universal, FPM, 024V/DC**

Burkert 0330 T 3/2 way direct acting solenoid valve electrically operated US (universal) 24 volt DC.



Nominal[mm] connection[mm]		Press. (min)	Press. (max) Gas	Press. (max) Liquid	Kv [m3/h]	Coil	Consumption	Dimension [mm] and weight [kg]				Order Code
DN	Rp							Length	Width	Height	Weight	
2,0	G1/4	0	7	7	0,13		8W	56	34	104	0,400	00136313
3,0	G1/4	0	4	4	0,25		8W	56	34	104	0,400	00136319
4,0	G1/4	0	2	2	0,30		8W	56	34	104	0,400	00124927