

Electrically operated  
Direct-acting 3-way  
Polyvinylfluorid (PVDF) solenoid valve

# BURKERT 0124



## Burkert 0124

Burkert 0330, Burkert 0124, Electrically operated direct-acting 3/2-way polyvinylfluorid (PVDF) solenoid valve.

### SIZE

DN2,0 to DN5,0 (1/4")

### CONNECTION

- 2-Sided female thread according to ISO 228
- 3-Sided female thread according to ISO 228

### NOMINAL PRESSURE

Maximum 16bar

### TEMPERATURE FLUID

From:

0° to +80°C (NBR)

0° to +80°C (FPM)

-30° to +80°C (EPDM)

### MATERIALS

Body: Polyvinylfluorid (PVDF)

Seal: FPM or EPDM

Internal parts: Polyvinylfluorid (PVDF)

### FLOW DIRECTION

C: 3/2 way direct-acting solenoid valve, normally closed

D: 3/2 way direct-acting solenoid valve, normally open

F: 3/2 way direct-acting solenoid valve, mixing function

F: 3/2 way direct-acting solenoid valve, distribution function

T: 3/2 way direct-acting solenoid valve, flow direction optional

### MOUNTING POSITION

Solenoid valve can be mounted in any position, preferably mounting with the coil pointing vertically upwards.

### MEDIUM

Aggressive gases and liquids. For applications with aggressive media consult resistance table.

### SOME ADVANTAGES

Direct acting, total isolation solenoid valve: the actuator is totally isolated from the fluid so that the wetted parts are just the body and the diaphragm.

### VOLTAGE TOLERANCE

+ 10% / -10%

### DUTY CYCLE

100% ED

### AMBIENT TEMPERATURE

max. + 55 ° C

### ELECTRICAL CONNECTION

Plug DIN 43650 for DIN A plugs

### ELECTRIC PROTECTION

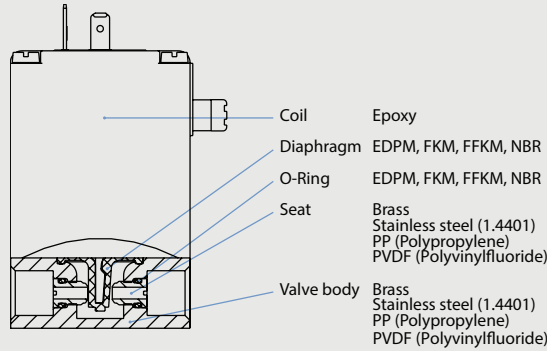
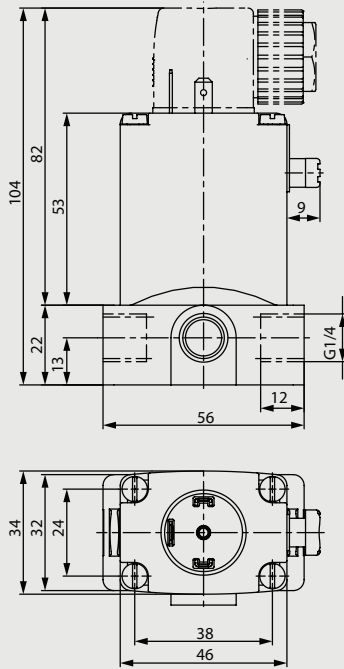
With plug Type 2508 / HST30 IP65

### TECHNICAL SPECIFICATIONS

- Maximum allowable pressure: 16 bar
- Opening time: AC DN2-4mm 8-15ms, DC DN2-4mm 10-20ms.
- Closing time: AC DN2-4mm 8-15ms, DC DN2-4mm 10-20ms.
- Maximum viscosity: 5 ° E (~37 cStokes or mm<sup>2</sup>/s)

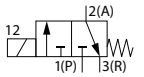
Electrically operated  
Direct-acting 3-way  
Polyvinylfluorid (PVDF) solenoid valve

# BURKERT 0124



### 3/2 NC, FPM, 024V/DC

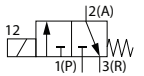
Burkert 0124 C 3/2 way direct acting solenoid valve electrically operated NC (normally closed) 24 volt DC



Nominal[mm] connection[mm]		Press. (min)	Press. (max) Gas	Press. (max) Liquid	Kv [m3/h]	Coil	Consump- tion	Dimension [mm] and weight [kg]				Order Code
DN	Rp							Length	Width	Height	Weight	
2,0	G1/4	0	12	12	0,13		8W	56	34	104	0,400	00068564
3,0	G1/4	0	8	8	0,25		8W	56	34	104	0,400	00021209
4,0	G1/4	0	4	4	0,30		8W	56	34	104	0,400	00055788

### 3/2 NC, FPM, 024V/50Hz

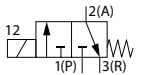
Burkert 0124 C 3/2 way direct acting solenoid valve electrically operated NC (normally closed) 24 volt AC



Nominal[mm] connection[mm]		Press. (min)	Press. (max) Gas	Press. (max) Liquid	Kv [m3/h]	Coil	Consump- tion	Dimension [mm] and weight [kg]				Order Code
DN	Rp							Length	Width	Height	Weight	
4,0	G1/4	0	5	5	0,30		20-11VA	56	34	104	0,400	00023629

### 3/2 NC, FPM, 230V/50Hz

Burkert 0124 C 3/2 way direct acting solenoid valve electrically operated NC (normally closed) 230 volt AC



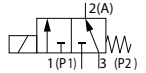
Nominal[mm] connection[mm]		Press. (min)	Press. (max) Gas	Press. (max) Liquid	Kv [m3/h]	Coil	Consump- tion	Dimension [mm] and weight [kg]				Order Code
DN	Rp							Length	Width	Height	Weight	
4,0	G1/4	0	5	5	0,23		20-11VA	56	34	104	0,400	00024607

**Electrically operated  
Direct-acting 3-way  
Polyvinylfluorid (PVDF) solenoid valve**

# BURKERT 0124

**3/2 Mixing Function, FPM, 024V/DC**

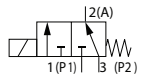
Burkert 0124 E 3/2 way direct acting solenoid valve electrically operated E (mixing) 24 volt DC.



Nominal[mm] connection[mm]		Press. (min)	Press. (max) Gas	Press. (max) Liquid	Kv [m3/h]	Coil	Consump- tion	Dimension [mm] and weight [kg]				Order Code
DN	Rp							Length	Width	Height	Weight	
4,0	G1/4	0	2	2	0,30		8W	56	34	104	0,400	00022340

**3/2 Mixing Function, FPM, 024V/50Hz**

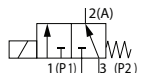
Burkert 0124 E 3/2 way direct acting solenoid valve electrically operated E (mixing) 24 volt AC.



Nominal[mm] connection[mm]		Press. (min)	Press. (max) Gas	Press. (max) Liquid	Kv [m3/h]	Coil	Consump- tion	Dimension [mm] and weight [kg]				Order Code
DN	Rp							Length	Width	Height	Weight	
4,0	G1/4	0	3	3	0,30		20-11VA	56	34	104	0,400	00020550

**3/2 Mixing Function, FPM, 230V/50Hz**

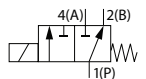
Burkert 0124 E 3/2 way direct acting solenoid valve electrically operated E (mixing) 230 volt AC.



Nominal[mm] connection[mm]		Press. (min)	Press. (max) Gas	Press. (max) Liquid	Kv [m3/h]	Coil	Consump- tion	Dimension [mm] and weight [kg]				Order Code
DN	Rp							Length	Width	Height	Weight	
3,0	G1/4	0	6	6	0,25		20-11VA	56	34	104	0,400	00123263
4,0	G1/4	0	3	3	0,30		20-11VA	56	34	104	0,400	00085599

**3/2 Distribution Function, FPM, 024V/DC**

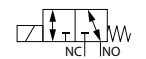
Burkert 0124 F 3/2 way direct acting solenoid valve electrically operated F (distribution) 24 volt DC.



Nominal[mm] connection[mm]		Press. (min)	Press. (max) Gas	Press. (max) Liquid	Kv [m3/h]	Coil	Consump- tion	Dimension [mm] and weight [kg]				Order Code
DN	Rp							Length	Width	Height	Weight	
4,0	G1/4	0	4	4	0,30		8W	56	34	104	0,400	00020528

**3/2 Universal, FPM, 024V/DC**

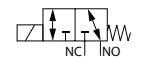
Burkert 0124 T 3/2 way direct acting solenoid valve electrically operated US (universal) 24 volt DC.



Nominal[mm] connection[mm]		Press. (min)	Press. (max) Gas	Press. (max) Liquid	Kv [m3/h]	Coil	Consump- tion	Dimension [mm] and weight [kg]				Order Code
DN	Rp							Length	Width	Height	Weight	
2,0	G1/4	0	7	7	0,13		8W	56	34	104	0,400	00136338
3,0	G1/4	0	4	4	0,25		8W	56	34	104	0,400	00136345

**3/2 Universal, FPM, 230V/50Hz**

Burkert 0124 T 3/2 way direct acting solenoid valve electrically operated US (universal) 230 volt AC.



Nominal[mm] connection[mm]		Press. (min)	Press. (max) Gas	Press. (max) Liquid	Kv [m3/h]	Coil	Consump- tion	Dimension [mm] and weight [kg]				Order Code
DN	Rp							Length	Width	Height	Weight	
3,0	G1/4	0	6	10	0,25		20-11VA	56	34	104	0,400	00136347



Electrically operated  
Direct-acting 3-way  
Polyvinylfluorid (PVDF) solenoid valve

# **BURKERT 0124**