

### FEATURES

- Solenoid valves satisfy all relevant EC directives
- Two way shut-off valves for automatic control of cold and hot water
- Zero bar minimum operating pressure
- Valves are designed to reduce water hammer
- Self-cleaning device located in the bleed orifice to guarantee an optimal performance

### GENERAL

Differential pressure 0 to 10 bar [1 bar = 100 kPa]  
Maximum viscosity 40 cSt (mm<sup>2</sup>/s)

fluid (*)	temperature range (TS)	sealings (*)
water	-20°C to +85°C	NBR (nitrile / buna-n)

### CONSTRUCTION

Anti-water hammer test EN 60730-2-8 (CENELEC)  
FCI-82-1 (Fluid Controls Institute)

### MATERIALS IN CONTACT WITH FLUID

(\*) Ensure that the compatibility of the fluids in contact with the materials is verified

Body Brass  
Internal parts Stainless steel  
Springs Stainless steel  
Seals, diaphragm and disc NBR  
Shading coil (AC) Copper

### ELECTRICAL CHARACTERISTICS

Coil isolation class F  
Connector Spade plug (Pg 11P)  
Connector specification ISO 4400  
Electrical safety IEC 335  
Standard voltages DC (=): 24V  
(Other voltages and 60 Hz on request) AC (~): 24V - 115V - 230V / 50 Hz

coil type	nominal power ratings				ambient temperature range (TS) (°C)	protection
	inrush		holding			
	~ (VA)	(VA)	~ (W)	= (W)		
CM6-FT	34,0	15,6	6,0	-	-20 to +75	moulded IP65
CM6-FB	30,0	22,5	9,0	9,5/15,3	-20 to +50	moulded IP65

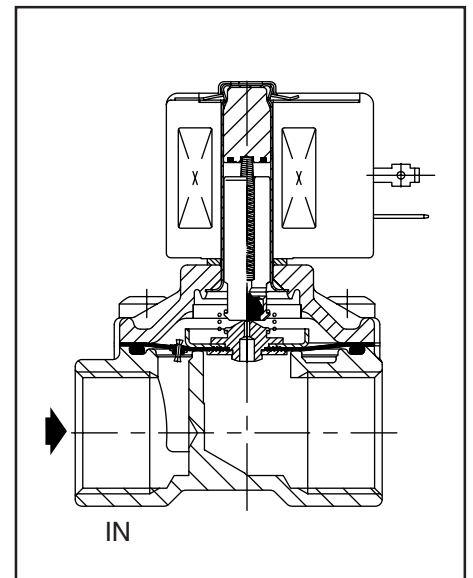
### SPECIFICATIONS

pipe size	orifice size (mm)	flow coefficient Kv (m <sup>3</sup> /h) (l/min)		operating pressure differential (bar)			coil type		catalogue number
				min.	maximum (PS)		~	=	
					water (*)				
G	(mm)	(m <sup>3</sup> /h)	(l/min)		~	=	~	=	
3/8	12,5	2,1	35	0	10	10	CM6-FT	CM6-FB	SC G238A044
1/2	12,5	2,1	35	0	10	10	CM6-FT	CM6-FB	SC G238A046
1/2	19	4,2	70	0	10	10	CM6-FT	CM6-FB	SC G238A047
3/4	19	4,5	75	0	10	10	CM6-FT	CM6-FB	SC G238A048
3/4	25	10,0	166	0	10	10	CM6-FB	CM6-FB	SC G238A049
1	25	10,0	166	0	10	10	CM6-FB	CM6-FB	SC G238A050

The codes in the grey shaded areas correspond to commonly used products which can be supplied rapidly



3



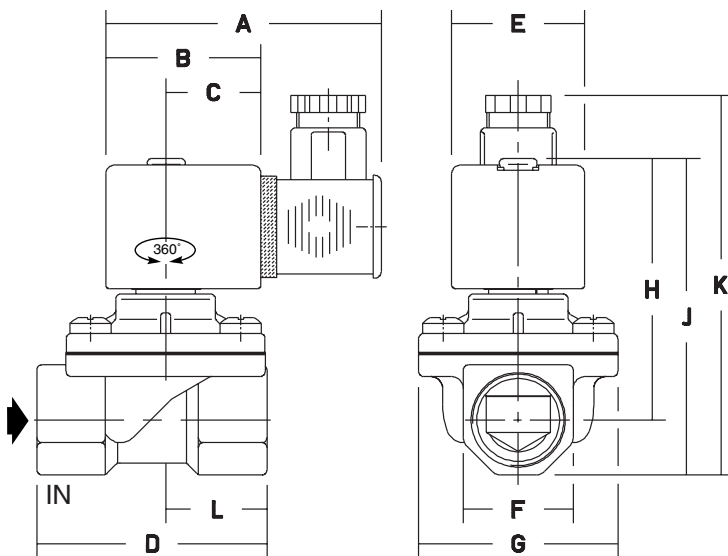
### OPTIONS

- Approval WRC
- Connectors with built-in indicator and electrical protection or prewired with cable length 2 m

### INSTALLATION

- Solenoid valves can be mounted in any position without affecting operation
- Pipe connection identifier is: G = G (ISO 228/1)
- The third digit in the catalogue number indicates the standard pipe connection
- Installation/maintenance instructions are included with each valve
- Spare parts kits and replacement coils are available

### DIMENSIONS (mm), WEIGHT (kg)



catalogue number	A	B	C	D	E	F	G	H	J	K	L	weight (1)
SC G238A044	80	45	27,5	52	39	27	37	72	85	104	23,0	0,55
SC G238A046	80	45	27,5	52	39	27	37	72	85	104	23,0	0,50
SC G238A047	80	45	27,5	65	39	27	58	74	87	106	29,5	0,75
SC G238A048	80	45	27,5	67	39	32	58	76	92	111	29,5	0,70
SC G238A049	80	45	27,5	86	39	41	73	92	112	131	37	1,30
SC G238A050	80	45	27,5	86	39	41	73	92	112	131	37	1,20

(1) Including coil and connector

All leaflets are available on: [www.ascojoucomatic.com](http://www.ascojoucomatic.com)