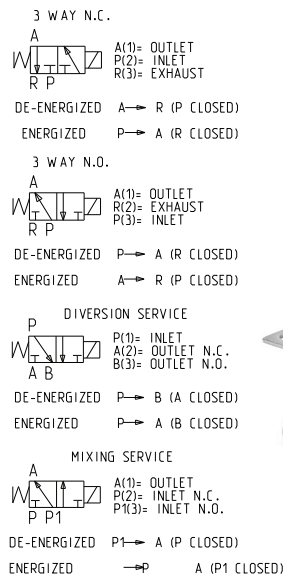
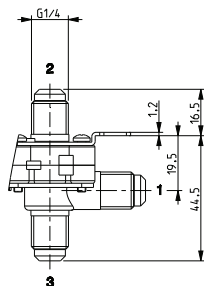
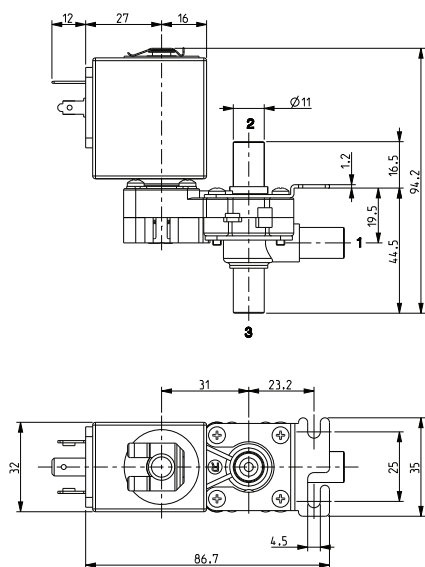


# ASCO™ SOLENOID VALVE - DRY

## 3/2 US - DIRECT ACTING - TOTAL ISOLATION - G 1/4 – BARBED PORT

**SERIES**  
**D344**



### General Features

Direct acting, total isolation solenoid valve: the actuator is totally isolated from the fluid so that the wetted parts are just the body and the lever-seal.

Possibility of disassembling for inspection.

Core duly coated by PTFE (polytetrafluoroethylene) based self lubricating material.

Suitable to shut off liquid and gaseous fluids (verify the compatibility of fluid with materials in contact).

Technical Features	
Maximum allowable pressure (PS)	12 bar
Opening time	~ 25ms
Closing time	~ 25ms
Fluid temperature	-10°C +100°C
Max viscosity	5°E (-37 cStokes or mm <sup>2</sup> /s)

Materials in Contact with Fluid	
Body	PEI (Polyetherimide)
Sealing	EPDM or VMQ or FPM

Coil		
Continuous Duty	ED 100%	
Encapsulation material	PET (polyethylene terephthalate) fiberglass reinforced	
Insulation class	F (140°C)	
Ambient temperature	-10°C +60°C	
Electric connections	DIN 46340 - 3 poles connector (EN175301-803)	
Protection degree	IP 65 (EN 60529) with plug connector	
Voltages	DC	12-24V (+10% -5%)
	AC	24V/50Hz - 110V/50Hz (120V/60Hz) - 230V/50Hz (+10% -15%) (Other voltages and frequencies on request)

Port size G = ISO 228	Orifice size (mm)	Differential pressure (bar)				Kv (m <sup>3</sup> /h)	Series and type		Power absorption			Sealings	Notes	Weight (kg)	
		Δp min	Δp max		Valve		Coil	AC (VA)		DC (W)					
			Gases	Liquids				Inrush	Holding						
Barbed port	3,2	0	1,5	1,5	1,5	1,5	0,28	Z530A	23	14	9	EPDM VMQ FPM	1	0,315	
G 1/4															D344D56
															D344S56
															D344V56
															D344D57
G 1/4	D344S57														
	D344V57														

### Notes

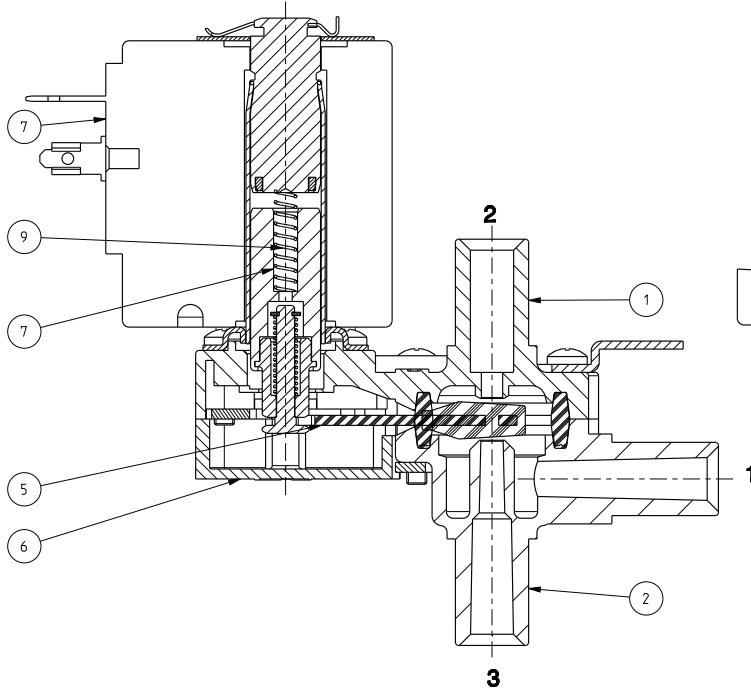
- Sealings: EPDM = Ethylene propylene elastomer VMQ = Silicone elastomer FPM = Fluoro-carbon elastomer
- On request and depending on quantities: - silent execution (only for DC)
- 1 - Model available on request only: ask for minimum quantity.

**SERIES**  
**D344**

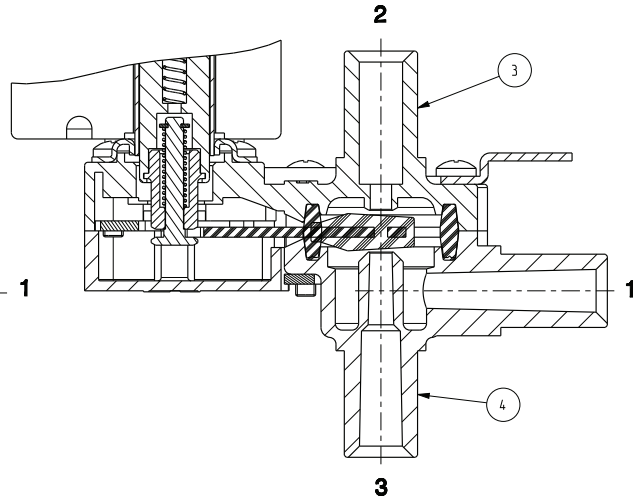
**ASCO™ SOLENOID VALVE - DRY**  
3/2 US - DIRECT ACTING - TOTAL ISOLATION - G 1/4 – BARBED PORT

**Spare Parts**

**D344-D-S-V56**



**D344-D-S-V57**



Kit description	Model	Kit P.N.	Consisting of:
Body kit	D344D56-S56-V56	G2846702	Upper body pos.1 Lower body pos.2
	D344D57-S57-V57	G2846701	Upper body pos.3 Lower body pos.4
Core kit		G2999401	Core pos.8 Core return spring pos.9
Lever seal kit	D344D56-D57	2977703R	Lever seal kit pos. 5
	D344S56-S57	2977704R	
	D344V56-V57	2977702R	
Cover		3119801R	Cover pos. 6
Coil		Z530A	Coil pos. 7

**Installation**

- In case of disassembling for usual maintenance, the fixing screws have to be tightened at 0,6 Nm max torque.
- Solenoid valve can be mounted in any position.
- Maximum driving torque of the pipe fittings for thread connections = 10Nm.

THE VALIDITY OF REPORTED DATA IS REFERRED TO THE DATE OF ISSUE. POSSIBLE UPDATES ARE AVAILABLE ON REQUEST