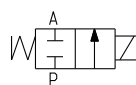
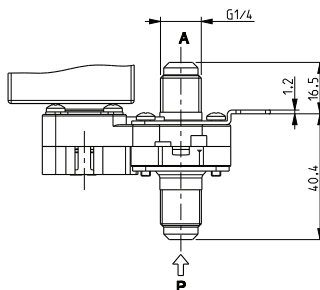
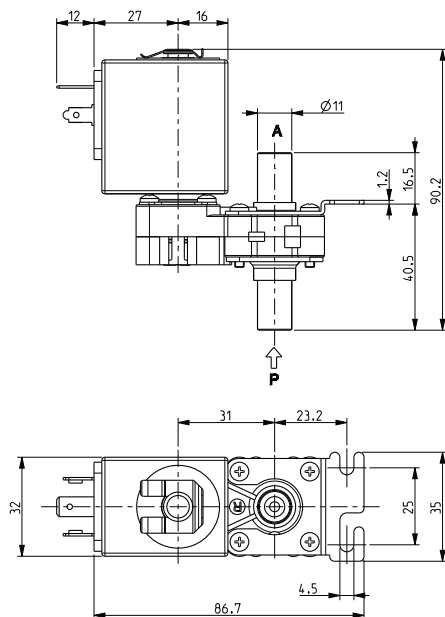


# ASCO™ SOLENOID VALVE - DRY

2/2 NC - DIRECT ACTING - TOTAL ISOLATION - G 1/4 – BARBED PORT

**SERIES**  
**D144**



## General Features

Direct acting, total isolation solenoid valve: the actuator is totally isolated from the fluid so that the wetted parts are just the body and the lever-seal.

Possibility of disassembling for inspection.

Core duly coated by PTFE (polytetrafluoroethylene) based self lubricating material.

Suitable to shut off liquid and gaseous fluids (verify the compatibility of fluid with materials in contact).

Technical Features	
Maximum allowable pressure (PS)	12 bar
Opening time	~ 25ms
Closing time	~ 25ms
Fluid temperature	-10°C +100°C
Max viscosity	5°E (~37 cStokes or mm <sup>2</sup> /s)

Materials in Contact with Fluid	
Body	PEI (Polyetherimide)
Sealing	EPDM or FPM or VMQ

Coil		
Continuous Duty	ED 100%	
Encapsulation material	PET (polyethylene terephthalate) fiberglass reinforced	
Insulation class	F (140°C)	
Ambient temperature	-10°C +60°C	
Electric connections	DIN 46340 - 3 poles connector (EN175301-803)	
Protection degree	IP 65 (EN 60529) with plug connector	
Voltages	DC	12-24V (+10% -5%)
	AC	24V/50Hz - 110V/50Hz (120V/60Hz) - 230V/50Hz (+10% -15%) (Other voltages and frequencies on request)

Port size G = ISO 228	Orifice size (mm)	Δp min	Differential pressure (bar)				Kv (m <sup>3</sup> /h)	Series and type		Power absorption			Sealings	Notes	Weight (kg)							
			Δp max					Valve	Coil	AC (VA)		DC (W)										
			Gases		Liquids					Inrush	Holding											
Barbed port	5,5	0	4,5	1	4,5	1	0,55	D144D3	Z530A	23	14	9	EPDM	1	0,255							
			1,5	1	1,5	1		D144V3					FPM	-								
			1,5	1	1,5	1		D144S3					VMQ	-								
G 1/4	3,2	0	10	2,4	10	2,4	0,32	D144D4	Z530A	23	14	9	EPDM	1	0,255							
			1,5	1,5	1,5	1,5		D144V4					FPM			-						
			1,5	1,5	1,5	1,5		D144S4					VMQ			-						
	5,5		0	4,5	1	4,5	1	0,55					D144D4	Z530A		23	14	9	EPDM	-	0,255	
				1,5	1	1,5	1						D144V4						FPM			-
				1,5	1	1,5	1						D144S4						VMQ			-

## Notes

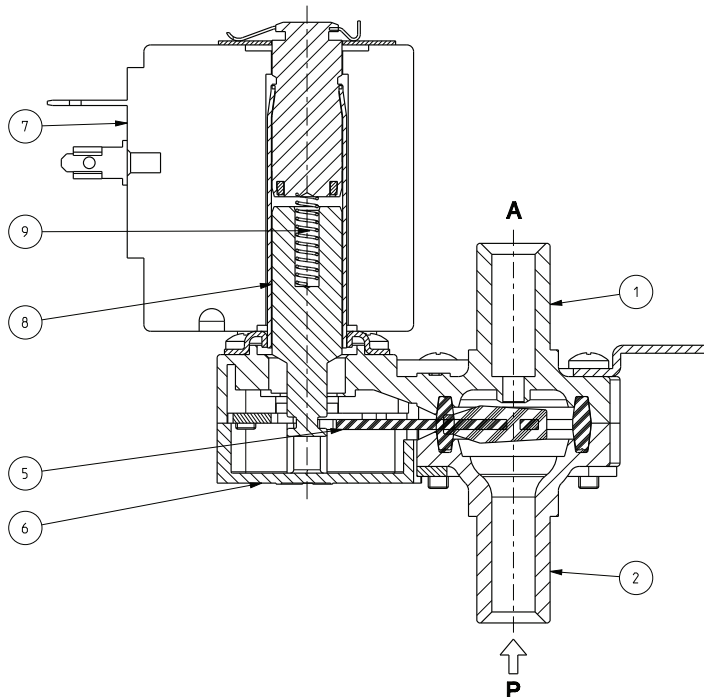
- Sealings: EPDM = Ethylene-propylene elastomer VMQ = Silicone elastomer FPM = Fluoro-carbon elastomer.
- On request and depending on quantities: silent execution (only for DC); see the corresponding data sheet
- 1 – Model available on request only: ask for minimum quantity.

**SERIES**  
**D144**

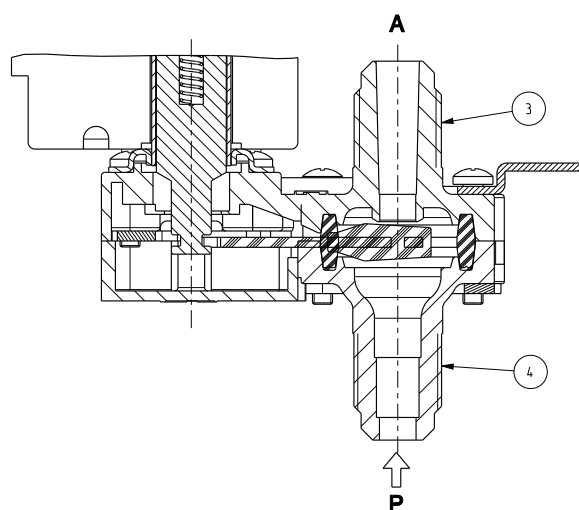
**ASCO™ SOLENOID VALVE - DRY**  
2/2 NC - DIRECT ACTING - TOTAL ISOLATION - G 1/4 – BARBED PORT

**Spare Parts**

**D144-D-S-V3**



**D144-D-S-V4**



Kit description	Model	Diameter	Kit P.N.	Consisting of:
Body kit	D144-D3-S3-V3		G2846402	Upper body pos.1 Lower body pos.2
Body kit	D144-D4-S4-V4	Ø3,2	G2846801	Upper body pos.3
	D144-D4-S4-V4	Ø5,5	G2846802	Lower body pos.4
Core kit			G2999201	Core pos.8 Core return spring pos.9
Lever seal kit	D144D3-D4		2977703R	Lever seal kit pos. 5
	D144S3-S4		2977704R	
	D144V3-V4		2977702R	
Cover			3119801R	Cover pos. 6
Coil			Z530A	Coil pos. 7

**Installation**

- In case of disassembling, for usual maintenance, the fixing screws have to be tightened at 0,6 Nm max torque.
- Solenoid valve can be mounted in any position; vertical with coil upwards preferred.
- Maximum driving torque of the pipe fittings for thread connections = 10Nm.

THE VALIDITY OF REPORTED DATA IS REFERRED TO THE DATE OF ISSUE. POSSIBLE UPDATES ARE AVAILABLE ON REQUEST