



W8054

Solid, 2-way Ductile Casting GG40 Flu-Con Butterfly Valve WAFER type with Gearbox

SIZE

DN40 (1 1/2") to DN1200 (48")

CONNECTION

- DN40 (1.1/2") to DN500 (20"): EN1092-1 PN10, PN16, ANSI150
- DN500 and above: EN1092-1 PN10
- Mounting flange according to ISO 5211

NOMINAL PRESSURE

(applies to liquids category 2 (PED 97/23/EC))
DN50 (2") to DN200 (8") : 16 bar (232 psi)
DN250 and above: 10 bar (145 psi)

MATERIALS

Body: GG40 (EN-JS-1030) (EN-GJS-400-15) with epoxy coating min 200 micron.
Disc: CF8M (1.4408) other material on request.
Stem: SS420

Seal:
EPDMH -30 tot 130°C
NBR -20 tot 80°C

On request.
Seal:
FPM -5 to 150°C
PTFE/FPM 0 to 150°C
Siliconen -30 to 135°C
EPDMH/FDA -20 to 130°C
PTFE/EPDM 0 to 130°C
CSM/Hypalon -20 to 100°C

FLOW DIRECTION

Random

MOUNTING POSITION

See mounting reference for industrial valves.

MEDIUM

Neutral gases and liquids. For applications with aggressive media consult resistance table. Certain media may increase the torque.

OPERATION (Standard)

Gearbox

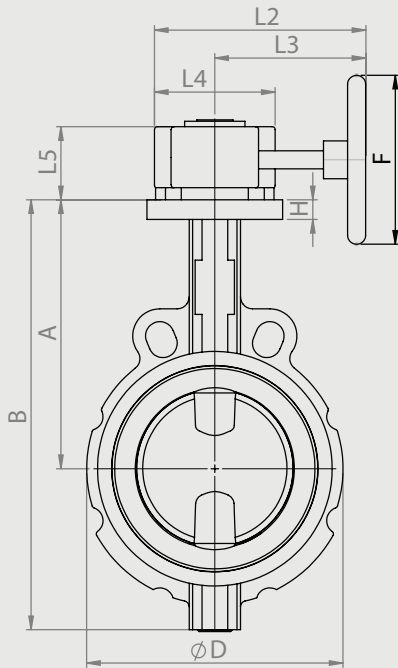
OPTIONS ON REQUEST

Body: Nodular cast GGG40.3 (EN-JS 1025) (EN)(EN-GJS-400-18-LT), Stainless steel 1.4408/AISI 316 A743 (CF8M), Nodular graphite EN-GJL250 (GG25), Cast steel 1.0619/GP240GH (G-SC25)/A216 WCB

Disc: Stainless steel 1.4408(polished), Stainless steel 1.4404, Alu-bronze 2.0975, Hastelloy 2.4610, Nodular casting 1.0619, Stainless steel 1.4408/ ECTFE coated, Duplex 1.4462

SOME ADVANTAGES

- Backup seat



Butterfly valve EPDM seat GG40 SS316 disc with gearbox

Nominal[mm] connection[mm]		max. press. [bar]	M(1) +30% [Nm]	Flange	Square	Kv [m ³ /h]	Dimension [mm] and weight [kg] Order Code									
DN	Rp	PN		øF	E - E1		A	B	øD	F	H	L3	L4	L5	Weight	
40	1.1/2	16	11,40	F05	11	75	125	190	90	100	11	99	80	48	2,50	3W8054003335
50	2	16	13,20	F05	11	120	140	218	105	100	11	99	80	48	2,50	3W8054003340
65	2.1/2	16	13,60	F05	11	209	152	232	124	100	12,5	99	80	48	3,00	3W8054003345
80	3	16	21,00	F05	11	388	159	250	137	100	12,5	99	80	48	3,30	3W8054003350
100	4	16	37,80	F05/F07	14	750	178	285	170	100	12,5	99	80	48	4,60	3W8054003355
125	5	16	59,90	F07	14	1234	190	320	197	120	13	115	100	54	6,10	3W8054003360
150	6	16	93,20	F07	17	2044	203	345	226	120	14	115	100	54	7,90	3W8054003365
200	8	16	171,7	F07/F10	17	3924	238	405	279	300	15	220	146	71	12,00	3W8054003370
250	10	10	288,1	F10/F12	22	6929	268	475	336	300	16	220	146	71	20,30	3W8054003375
300	12	10	429,3	F10/F12	22	11496	306	538	396	300	18	220	146	71	30,00	3W8054003380
350	14	10	622,2	F12	27	12558	340	633	446	400	20	208	138	72	44,00	3W8054003385
400	16	10	859,5	F12/F14	27	15311	388	710	500	400	22	277	184	81	69,00	3W8054003390
450	18	10	1153	F14	36	19857	415	765	545	500	23	287	210	81	95,00	3W8054003391
500	20	10	1481	F14/16	36	25403	441	825	600	500	23	357	248	91	112,00	3W8054003392
600	24	10	2134	F16	46	33315	505	950	718	500		382	313	93	186,00	3W8054003393
700	28	10	3599	F25	55	43899	624	1129	910	500		448	310	122	295,00	3W8054003394
800	32	10	4740	F25	55	55441	672	1248	1025	500		448	310	122	390,00	3W8054003395
900	36	10	7200	F29	ø90	69229	720	1375	1125	500		480	355	160	548,00	3W8054003396
1000	40	10	10500	F29	ø100	82991	800	1518	1255	500		480	355	160	680,00	3W8054003397
1200	48	10	15060	F35	ø120	114824	941	1785	1485	500		575	415	155	1050,00	3W8054003398

