



V8054

Solid, 2-way Ductile Casting GG40 Flu-Con Buterfly Valve WAFER type, bare shaft

SIZE

DN40 (1 1/2") to DN1200 (48")

CONNECTION

- DN40 (1.1/2") to DN500 (20"): EN1092-1 PN10, PN16, ANSI150
- DN500 and above: EN1092-1 PN10
- Mounting flange according to ISO 5211

NOMINAL PRESSURE

(applies to liquids cattogorie 2 (PED 97/23/EC)
DN50 (2") to DN200 (8") : 16 bar (232 psi)
DN250 and above: 10 bar (145 psi)

MATERIALS

Body: GG40 (EN-JS-1030) (EN-GJS-400-15) with epoxy coating min 200 micron.
Disc: CF8M (1.4408) other material on request.
Stem: SS420

Seal:
EPDMH -30 tot 130°C
NBR -20 tot 80°C

On request.
Seal:
FPM -5 to 150°C
PTFE/FPM 0 to 150°C
Siliconen -30 to 135°C
EPDMH/FDA -20 to 130°C
PTFE/EPDM 0 to 130°C
CSM/Hypalon -20 to 100°C

FLOW DIRECTION

Random

MOUNTING POSITION

See mounting reference for industrial valves.

MEDIUM

Neutral gases and liquids. For applications with aggressive media consult resistance table. Certain media may increase the torque.

OPERATION (Standard)

Bare Shaft

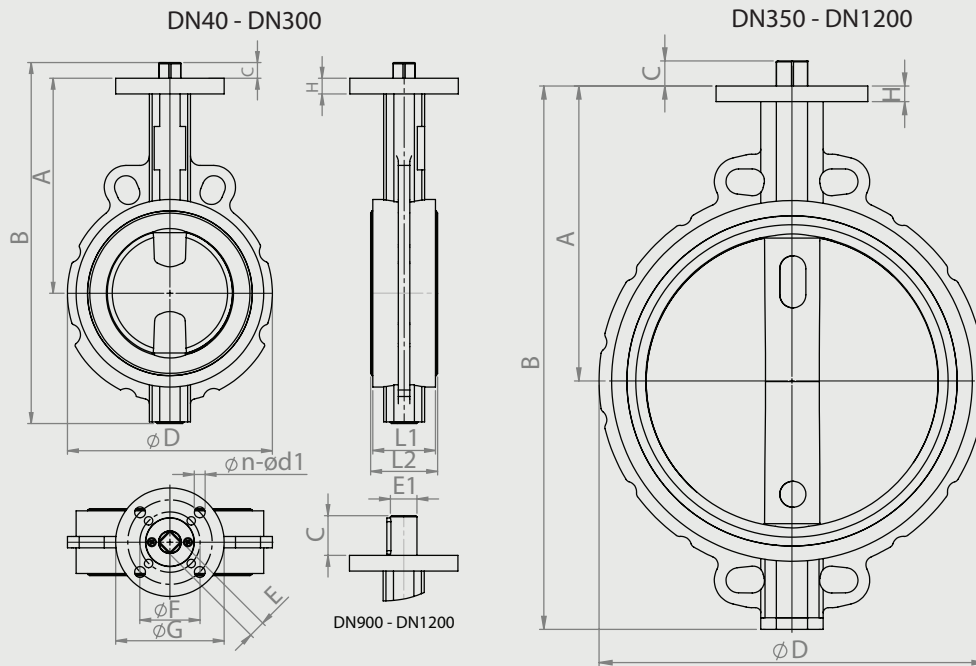
OPTIONS ON REQUEST

Body: Nodular cast GGG40.3 (EN-JS 1025) (EN)(EN-GJS-400-18-LT), Stainless steel 1.4408/AISI 316 A743 (CF8M), Nodular graphite EN-GJL250 (GG25), Cast steel 1.0619/GP240GH (G-SC25)/A216 WCB

Disc: Stainless steel 1.4408(polished), Stainless steel 1.4404, Alu-bronze 2.0975, Hastelloy 2.4610, Nodular casting 1.0619, Stainless steel 1.4408/ ECTFE coated, Duplex 1.4462

SOME ADVANTAGES

- Backup seat



Butterfly valve EPDM seat GG40 SS316 disc bare shaft

Nominal[mm] connection[mm]		max. press. [bar]	M(1) +30% [Nm]	Flange	Square	Kv [m3/h]	Dimension [mm] and weight [kg]										Order Code
DN	Rp	PN		øF	E - E1		A	B	C	øD	øG	H	L1	L2	Weight		
40	1.1/2	16	11,40	F05	11	75	125	190	13,5	90	65	11	33	36	2,50	3V8054003335	
50	2	16	13,20	F05	11	120	140	218	13,5	105	65	11	43	46	2,50	3V8054003340	
65	2.1/2	16	13,60	F05	11	209	152	232	13,5	124	65	12,5	46	49,5	3,00	3V8054003345	
80	3	16	21,00	F05	11	388	159	250	13,5	137	65	12,5	46	49,5	3,30	3V8054003350	
100	4	16	37,80	F05/F07	14	750	178	285	13,5	170	90	12,5	52	55,5	4,60	3V8054003355	
125	5	16	59,90	F07	14	1234	190	320	17,5	197	90	13	56	59	6,10	3V8054003360	
150	6	16	93,20	F07	17	2044	203	345	17,5	226	90	14	56	59	7,90	3V8054003365	
200	8	16	171,7	F07/F10	17	3924	238	405	24,5	279	125	15	60	64	12,00	3V8054003370	
250	10	10	288,1	F10/F12	22	6929	268	475	24,5	336	152	16	68	72,5	20,30	3V8054003375	
300	12	10	429,3	F10/F12	22	11496	306	538	24,5	396	152	18	78	81,5	30,00	3V8054003380	
350	14	10	622,2	F12	27	12558	340	633	30	446	175	20	78	81,5	44,00	3V8054003385	
400	16	10	859,5	F12/F14	27	15311	388	710	30	500	175	22	102	105	69,00	3V8054003390	
450	18	10	1153	F14	36	19857	415	765	39	545	210	23	114	118	95,00	3V8054003391	
500	20	10	1481	F14/16	36	25403	441	825	49	600	210	23	127	130,5	112,00	3V8054003392	
600	24	10	2134	F16	46	33315	505	950	49	718	210		154	158	186,00	3V8054003393	
700	28	10	3599	F25	55	43899	624	1129	58	910	300		165	169	295,00	3V8054003394	
800	32	10	4740	F25	55	55441	672	1248	58	1025	300		190	195	390,00	3V8054003395	
900	36	10	7200	F29	ø90	69229	720	1375	110	1125	350		203	208	548,00	3V8054003396	
1000	40	10	10500	F29	ø100	82991	800	1518	120	1255	350		216	221	680,00	3V8054003397	
1200	48	10	15060	F35	ø120	114824	941	1785	175	1485	415		254	260	1050,00	3V8054003398	

