

**Manually operated  
2-weg WAFER  
Cast iron butterfly valve**

# H8054



## H8054

Solid, lever operated 2-way Ductile Casting GG40 Flu-Con Butterfly Valve WAFER type

### SIZE

DN40 (1 1/2") to DN1200 (48")

### CONNECTION

- DN40 (1.1/2") to DN500 (20"): EN1092-1 PN10, PN16, ANSI150
- DN500 and above: EN1092-1 PN10
- Mounting flange according to ISO 5211

### NOMINAL PRESSURE

(applies to liquids categorie 2 (PED 97/23/EC)  
DN50 (2") to DN200 (8") : 16 bar (232 psi)  
DN250 and above: 10 bar (145 psi)

### MATERIALS

Body: GG40 (EN-JS-1030) (EN-GJS-400-15) with epoxy coating min 200 micron.  
Disc: CF8M (1.4408) other material on request.  
Stem: SS420

Seal:  
EPDMH -30 tot 130°C  
NBR -20 tot 80°C

On request.  
Seal:  
FPM -5 to 150°C  
PTFE/FPM 0 to 150°C  
Siliconen -30 to 135°C  
EPDMH/FDA -20 to 130°C  
PTFE/EPDM 0 to 130°C  
CSM/Hypalon -20 to 100°C

### FLOW DIRECTION

Random

### MOUNTING POSITION

See mounting reference for industrial valves.

### MEDIUM

Neutral gases and liquids. For applications with aggressive media consult resistance table. Certain media may increase the torque.

### OPERATION (Standard)

With Lever

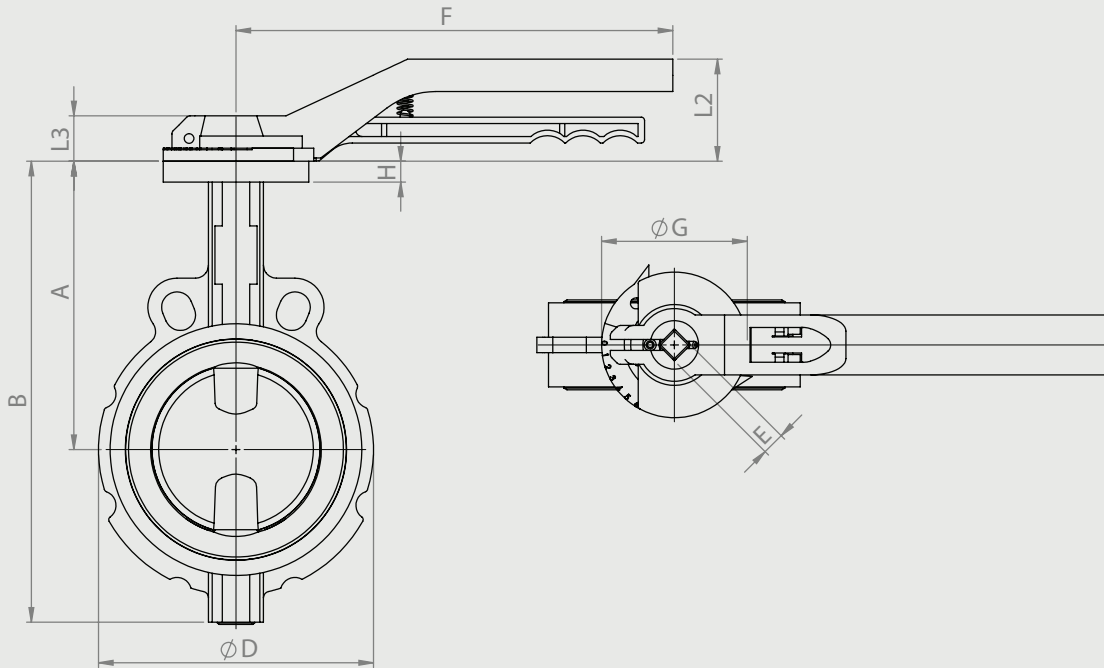
### OPTIONS ON REQUEST

Body: Nodular cast GGG40.3 (EN-JS 1025) (EN)(EN-GJS-400-18-LT), Stainless steel 1.4408/AISI 316 A743 (CF8M), Nodular graphite EN-GJL250 (GG25), Cast steel 1.0619/GP240GH (G-SC25)/A216 WCB

Disc: Stainless steel 1.4408(polished), Stainless steel 1.4404, Alu-bronze 2.0975, Hastelloy 2.4610, Nodular casting 1.0619, Stainless steel 1.4408/ ECTFE coated, Duplex 1.4462

### SOME ADVANTAGES

- Backup seat



Butterfly valve EPDM seat GG40 SS316 disc with lever

Nominal[mm] connection[mm]		max. press. [bar]	M(1) +30% [Nm]	Flange	Square	Kv [m <sup>3</sup> /h]	Dimension [mm] and weight [kg]										Order Code
DN	Rp	PN			E		A	B	øD	F	øG	H	L2	L3	Weight		
40	1.1/2	16	11,40	F05	11	75	125	190	90	196	65	11	63	20,5	2,50	3H8054003335	
50	2	16	13,20	F05	11	120	140	218	105	196	65	11	63	20,5	2,50	3H8054003340	
65	2.1/2	16	13,60	F05	11	209	152	232	124	196	65	11	63	20,5	3,00	3H8054003345	
80	3	16	21,00	F05	11	388	159	250	137	196	65	12,5	63	20,5	3,30	3H8054003350	
100	4	16	37,80	F05/F07	14	750	178	285	170	270	90	12,5	61	28,5	4,60	3H8054003355	
125	5	16	59,90	F07	14	1234	190	320	197	270	90	12,5	61	28,5	6,10	3H8054003360	
150	6	16	93,20	F07	17	2044	203	345	226	270	90	13	61	28,5	7,90	3H8054003365	
200	8	16	171,7	F07/F10	17	3924	238	405	279	340	125	14	72	35	12,00	3H8054003370	
250	10	10	288,1	F10 /F12	22	6929	268	475	24,5	336	152	16			20,30	3H8054003375	
300	12	10	429,3	F10 /F12	22	11496	306	538	24,5	396	152	18			30,00	3H8054003380	

