

**Pneumatically operated
2-Way 2-piece
Stainless Steel ball valve**

P8781



P8781

Solid, pneumatically operated 2-Way Stainless Steel ball valve with Compact Flange Wafer connection airpower actuator in double acting and single acting version.

SIZE

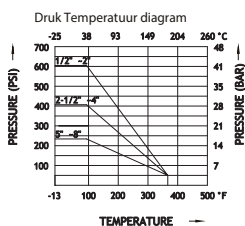
DN15 (1/2") to DN100 (4")

CONNECTION

- Flange according DIN 2543 2544 2545
- Installation dimension according DIN 3202 / F4/F5
- Design according DIN 3357 / ISO 5752
- Mounting flange according to ISO 5211

NOMINAL PRESSURE

DN15 to DN50 and DN80 = PN40, DN65 and DN100 = PN16



TEMPERATURE RANGE

From -25° to +180°C

MATERIALS

- Body: stainless steel DIN 1.4408 (CF8M)
- Ball: stainless steel AISI 316
- Ball seal: PTFE 15% glass fiber reinforced
- Shaft: Stainless steel AISI 316
- Shaft sealing: PTFE 15% glass fiber reinforced
- O-ring: FPM
- Packed gland PTFE

FLOW DIRECTION

Random

MOUNTING POSITION

See mounting reference for industrial valves.

MEDIUM

Neutral gases and liquids. For applications with aggressive media consult resistance table. Certain media may increase the torque.

OPERATION (Standard)

With pneumatic actuator double acting or single acting (spring closing "NC" or spring opening "NO") version.

CONTROL MEDIUM

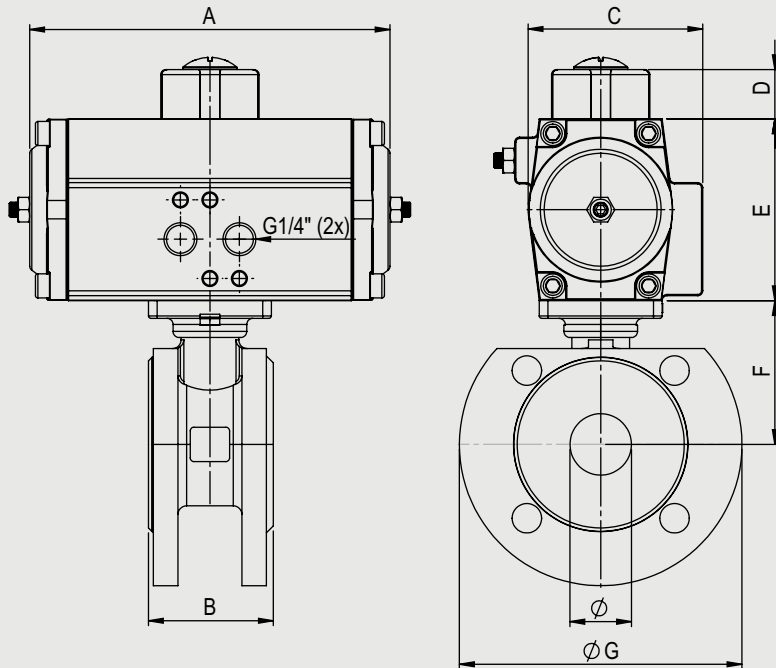
Compressed air or inert gases according PNEUROP/ISO class 4, other control medium on request.

CONTROL PRESSURE

- 5,5 bar, other control pressure on request.

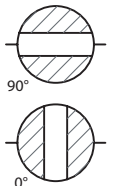
OPTIONS AND ACCESSORIES

Mechanical or inductive limit switches mounted in a switch box or single mounted on the actuator.



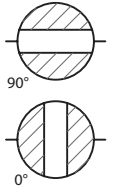
Double-acting ball valve with DIN Flange

Nominal [mm] connection [mm]		max. press. [bar] PN	M(1) +30% [Nm]	Flange	Square	Kv [m ³ /h]	Pneumatic Actuator	Dimension [mm] and weight [kg]							Order Code	
DN	Rp							A	B	C	D	E	F	G		Weight
15	1/2"	40	5	F03/F04	9		APD050	146	36	71	20	74	55,3	95	2,9	3P8781403315
20	3/4"	40	8	F03/F04	9		APD050	146	38	71	20	74	60,3	105	3,8	3P8781403320
25	1"	40	10	F04/F05	11		APD050	146	50	71	20	74	58,5	115	4,8	3P8781403325
32	1.1/4"	40	14	F04/F05	11		APD050	146	53	71	20	74	70,5	140	6,8	3P8781403330
40	1.1/2"	40	18	F05/F07	14		APD060	168	65	83	20	88	76,5	150	8,6	3P8781403335
50	2"	40	25	F05/F07	14		APD060	168	88	83	20	88	84,5	165	11,8	3P8781403340
65	2.1/2"	16	48	F07/F10	17		APD080	204	98	101	20	109	94,5	185	17,1	3P8781403345
80	3"	40	75	F07/F10	17		APD090	260	118	107	20	120	110,5	200	21,6	3P8781403350
100	4"	16	110	F07/F10	17		APD110	268	140	121,5	20	133	122,5	220	31,5	3P8781403355



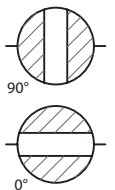
Single-acting ball valve with DIN Flange, NC

Nominal[mm] connection[mm]		max. press. [bar]	M(1) +30% [Nm]	Flange	Squa- re	Kv [m3/h]	Pneumatic Actuator	Dimension [mm] and weight [kg]							Order Code	
DN	Rp	PN						A	B	C	D	E	F	G	Weight	
15	1/2"	40	5	F03/F04	9		APS050	146	36	71	20	74	55,3	95	2,9	3P8781403415
20	3/4"	40	8	F03/F04	9		APS060	146	38	71	20	74	60,3	105	3,8	3P8781403420
25	1"	40	10	F04/F05	11		APS060	168	50	83	20	88	58,5	115	4,8	3P8781403425
32	1.1/4"	40	14	F04/F05	11		APS070	184	53	94,5	20	100	70,5	140	6,8	3P8781403430
40	1.1/2"	40	18	F05/F07	14		APS080	204	65	101	20	109	76,5	150	8,6	3P8781403435
50	2"	40	25	F05/F07	14		APS080	204	78	101	20	19	84,5	165	11,8	3P8781403440
65	2.1/2"	16	48	F07/F10	17		APS110	268	98	121,5	20	133	94,5	185	17,1	3P8781403445
80	3"	40	75	F07/F10	17		APS130	298	118	141	20	155	110,5	200	21,6	3P8781403450
100	4"	16	110	F07/F10	17		APS140	390	140	153	30	172	122,5	220	31,5	3P8781403455



Single-acting ball valve with DIN Flange, NO

Nominal[mm] connection[mm]		max. press. [bar]	M(1) +30% [Nm]	Flange	Squa- re	Kv [m3/h]	Pneumatic Actuator	Dimension [mm] and weight [kg]							Order Code	
DN	Rp	PN						A	B	C	D	E	F	G	Weight	
15	1/2"	40	5	F03/F04	9		APS050	146	36	71	20	74	55,3	95	2,9	3P8781403515
20	3/4"	40	8	F03/F04	9		APS060	146	38	71	20	74	60,3	105	3,8	3P8781403520
25	1"	40	10	F04/F05	11		APS060	168	50	83	20	88	58,5	115	4,8	3P8781403525
32	1.1/4"	40	14	F04/F05	11		APS070	184	53	94,5	20	100	70,5	140	6,8	3P8781403530
40	1.1/2"	40	18	F05/F07	14		APS080	204	65	101	20	109	76,5	150	8,6	3P8781403535
50	2"	40	25	F05/F07	14		APS080	204	78	101	20	19	84,5	165	11,8	3P8781403540
65	2.1/2"	16	48	F07/F10	17		APS110	268	98	121,5	20	133	94,5	185	17,1	3P8781403545
80	3"	40	75	F07/F10	17		APS130	298	118	141	20	155	110,5	200	21,6	3P8781403550
100	4"	16	110	F07/F10	17		APS140	390	140	153	30	172	122,5	220	31,5	3P8781403555





**Pneumatically operated
2-Way 2-piece
Stainless Steel ball valve**

P8781