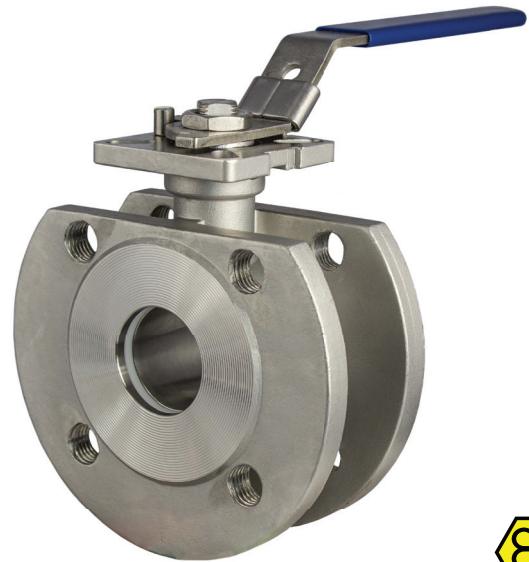


Manually operated  
2-Way  
Stainless Steel ball valve

# H8081



## H8081

Solid, manually operated 2-Way Wafer type Stainless Steel ball valve with DIN PN16 Compact Flange connection and ISO Top for direct mounting actuator.

### SIZE

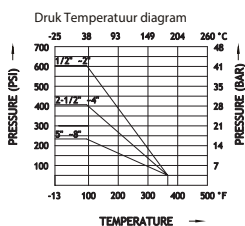
DN15 (1/2") to DN100 (4")

### CONNECTION

- Flange according DIN 2543 2544 2545
- Installation dimension according DIN 3202 / F4/F5
- Design according DIN 3357 / ISO 5752
- Mounting flange according to ISO 5211

### NOMINAL PRESSURE

DN15 to DN50 and DN80 = PN40, DN65 and DN100 = PN16



### TEMPERATURE RANGE

From -25° to +180°C

### MATERIALS

Body: stainless steel DIN 1.4408 (CF8M)  
Ball: stainless steel AISI 316  
Ball seal: PTFE 15% glass fiber reinforced  
Shaft: Stainless steel AISI 316  
Shaft sealing: PTFE 15% glass fiber reinforced  
O-ring: FPM  
Packed gland PTFE

### FLOW DIRECTION

Random

### MOUNTING POSITION

See mounting reference for industrial valves.

### MEDIUM

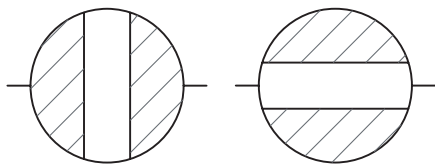
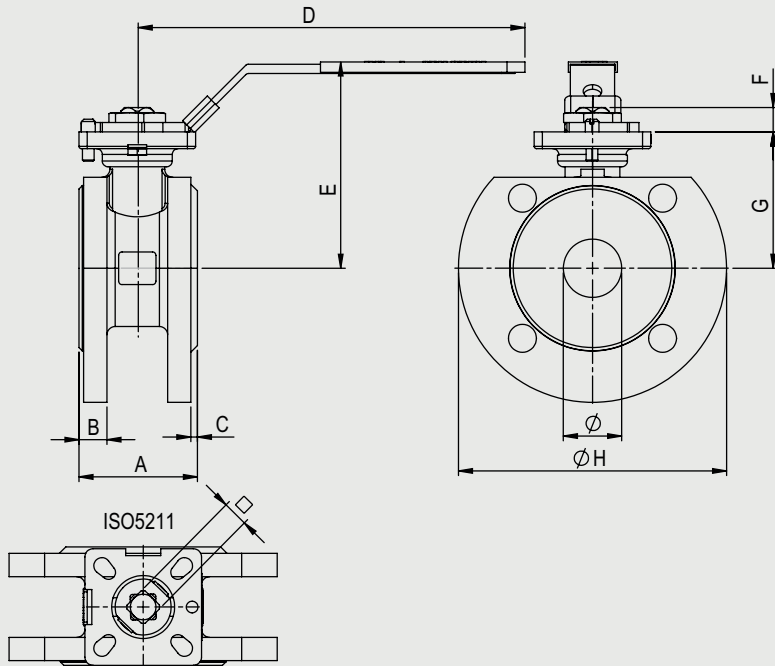
Neutral gases and liquids. For applications with aggressive media consult resistance table. Certain media may increase the torque.

### OPERATION (Standard)

With Lever (secure with lock) or bare shaft

### SPECIAL FEATURES

Shaft: Blow-out proof  
Anti-static construction  
Full bore ball valve type Wafer



**Ball Valve 2-way with Flange (Wafer), ISO Top and lever**

Nominal[mm] connection[mm]		max. press. [bar]	M(1) +30% [Nm]	Flange	Squa- re	Kv [m3/h]	Dimension [mm] and weight [kg]									Order Code
DN	Rp	PN					A	B	C	D	E	F	G	øH	Weight	
15	1/2"	40	5	F03/F04	9	24	36	11	2	117	89	9,5	55,3	95	1,30	3H8081403315
20	3/4"	40	8	F03/F04	9	43	38	11	2	117	94	9,5	60,3	105	1,80	3H8081403320
25	1"	40	10	F04/F05	11	83	50	12	2	164	90	10	58,5	115	1,95	3H8081403325
32	1.1/4"	40	14	F04/F05	11	130	53	14	2	164	100	12,5	70,5	140	3,10	3H8081403330
40	1.1/2"	40	18	F05/F07	14	205	65	15	3	203	105	14,5	76,5	150	4,00	3H8081403335
50	2"	40	25	F05/F07	14	340	88	16	3	203	125	14	84,5	165	5,00	3H8081403340
65	2.1/2"	16	48	F07/F10	17	520	98	16	3	255	140	17	94,5	185	7,85	3H8081403345
80	3"	40	75	F07/F10	17	1100	118	18	3	255	145	16	110,5	200	11,0	3H8081403350
100	4"	16	110	F07/F10	17	1820	140	18	3	302	175	19	122,5	220	16,8	3H8081403355

