

Pneumatically operated  
2-Way 3-piece  
Stainless Steel ball valve

# P8716 APE



## P8716 APE

Solid, pneumatically operated 2-Way 3-piece Stainless Steel ball valve with airpower actuator in double acting and single acting version.

### SIZE

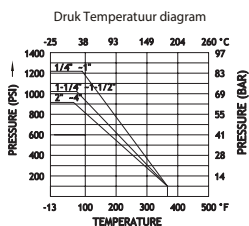
DN08 (1/4") to DN100 (4")

### CONNECTION

- 2-Sided female thread according to ISO 7/1, DIN 2999
- Mounting flange according to ISO 5211
- Installation dimension according DIN 3203 - M3

### NOMINAL PRESSURE

Maximum PN63



### TEMPERATURE RANGE

From -10° to +200°C (depending on operating pressure)

### MATERIALS

Body: stainless steel 1.4408  
Ball: Stainless steel 1.4401  
Ball seal: PTFE 15% glass fiber reinforced  
Shaft: Stainless steel 1.4401  
Shaft sealing: PTFE 15% glass fiber reinforced  
O-ring: FPM  
Packed gland PTFE  
Gland: Stainless steel 1.4301

Plate Spring: Spring steel

### FLOW DIRECTION

Random

### MOUNTING POSITION

See mounting reference for industrial valves.

### MEDIUM

Neutral gases and liquids. For applications with aggressive media consult resistance table. Certain media may increase the torque.

### OPERATION (Standard)

With pneumatic actuator double acting or single acting (spring closing "NC" or spring opening "NO") version.

### CONTROL MEDIUM

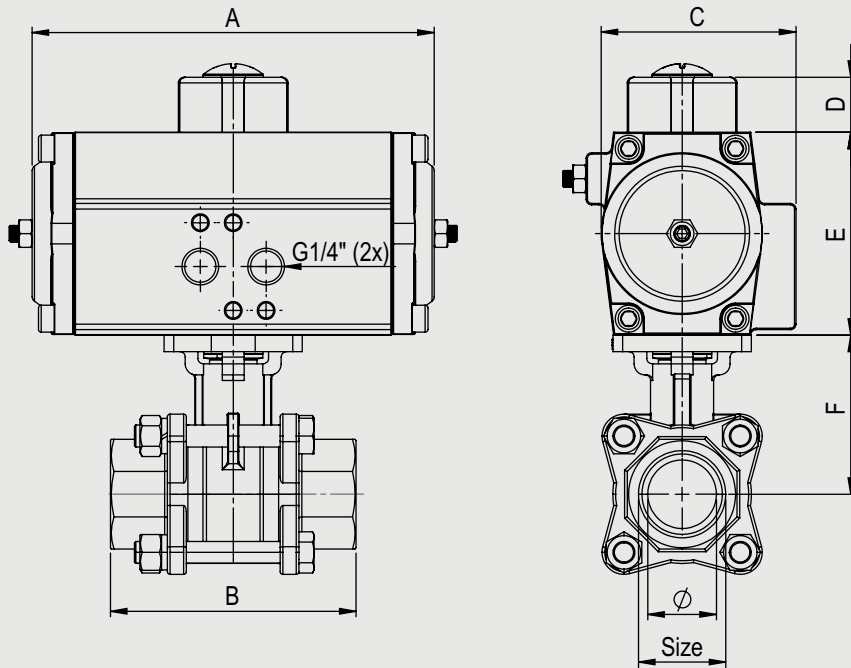
Compressed air or inert gases according PNEUROP/ISO class 4, other control medium on request.

### CONTROL PRESSURE

- 5,5 bar, other control pressure on request.

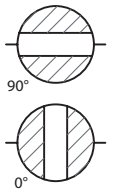
### OPTIONS AND ACCESSORIES

Mechanical or inductive limit switches mounted in a switch box or single mounted on the actuator.  
ATEX-version on request



Double-acting ball valve with pipe threads

Nominal [mm] connection [mm]		max. press. [bar] PN	M(1) +30% [Nm]	Flange	Square	Kv [m <sup>3</sup> /h]	Pneumatic Actuator	Dimension [mm] and weight [kg]							Order Code	
DN	Rp							ø	A	B	C	D	E	F		Weight
8	G1/4	63	4,0	F03	9	6	APD032	11	116	50	51	20	45	32,5	1,29	3P8716400005
10	G3/8	63	4,0	F03	9	10	APD032	12,5	116	60	51	20	45	32,5	1,28	3P8716400010
15	G1/2	63	5,0	F03/F04	9	24	APD032	15	116	75	51	20	45	42,0	1,34	3P8716400015
20	G3/4	63	8,0	F04/F05	11	43	APD040	20	120	80	65	20	60	50,0	1,72	3P8716400020
25	G1	63	10	F04/F05	11	83	APD040	25	120	90	65	20	60	58,0	2,42	3P8716400025
32	G1.1/4	63	14	F05/F07	14	130	APD060	32	168	110	83	20	88	64,0	3,89	3P8716400030
40	G1.1/2	63	18	F05/F07	14	205	APD060	40	168	120	83	20	88	69,5	4,56	3P8716400035
50	G2	63	25	F05/F07	14	340	APD060	50	168	140	83	20	88	78,0	6,07	3P8716400040
65	G2.1/2	63	48	F07/F10	17	520	APD080	65	185	185	101	20	109	100,0	11,80	3P8716400045
80	G3	63	75	F07/F10	17	1100	APD090	80	205	205	107	20	120	112,5	17,40	3P8716400050
100	G4	63	110	F10/F12	17	1820	APD110	100	240	240	121,5	20	133	125,5	27,55	3P8716400055

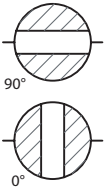


Pneumatically operated  
2-Way 3-piece  
Stainless Steel ball valve

# P8716 APE

## Single-acting ball valve with pipe threads, NC

Nominal[mm] connection[mm]		max. press. [bar] PN	M(1) +30% [Nm]	Flange	Squa- re	Kv [m3/h]	Pneumatic Actuator	Dimension [mm] and weight [kg]							Order Code	
DN	Rp							ø	A	B	C	D	E	F		Weight
8	G1/4	63	4,0	F03	9	6	APS050	11	146	50	71	20	74	32,5	1,89	3P8716400105
10	G3/8	63	4,0	F03	9	10	APS050	12,5	146	60	71	20	74	32,5	1,88	3P8716400110
15	G1/2	63	5,0	F03/F04	9	24	APS050	15	146	75	71	20	74	42,0	1,94	3P8716400115
20	G3/4	63	8,0	F04/F05	11	43	APS050	20	146	80	71	20	74	50,0	3,12	3P8716400120
25	G1	63	10	F04/F05	11	83	APS060	25	168	90	83	20	88	58,0	3,32	3P8716400125
32	G1.1/4	63	14	F05/F07	14	130	APS070	32	184	110	94,5	20	100	64,0	5,49	3P8716400130
40	G1.1/2	63	18	F05/F07	14	205	APS080	40	204	120	101	20	109	69,5	6,16	3P8716400135
50	G2	63	25	F05/F07	14	340	APS080	50	204	140	101	20	109	78,0	7,17	3P8716400140
65	G2.1/2	63	48	F07/F10	17	520	APS110	65	268	185	121,5	20	133	100,0	16,3	3P8716400145
80	G3	63	75	F07/F10	17	1100	APS130	80	298	205	141	20	155	112,5	23,4	3P8716400150
100	G4	63	110	F10/F12	17	1820	APS140	100	390	240	153	30	172	125,5	37,6	3P8716400155



## Single-acting ball valve with pipe threads, NO

Nominal[mm] connection[mm]		max. press. [bar] PN	M(1) +30% [Nm]	Flange	Squa- re	Kv [m3/h]	Pneumatic Actuator	Dimension [mm] and weight [kg]							Order Code	
DN	Rp							ø	A	B	C	D	E	F		Weight
8	G1/4	63	4,0	F03	9	6	APS050	11	146	50	71	20	74	32,5	1,89	3P8716400205
10	G3/8	63	4,0	F03	9	10	APS050	12,5	146	60	71	20	74	32,5	1,88	3P8716400210
15	G1/2	63	5,0	F03/F04	9	24	APS050	15	146	75	71	20	74	42,0	1,94	3P8716400215
20	G3/4	63	8,0	F04/F05	11	43	APS050	20	146	80	71	20	74	50,0	3,12	3P8716400220
25	G1	63	10	F04/F05	11	83	APS060	25	168	90	83	20	88	58,0	3,32	3P8716400225
32	G1.1/4	63	14	F05/F07	14	130	APS070	32	184	110	94,5	20	100	64,0	5,49	3P8716400230
40	G1.1/2	63	18	F05/F07	14	205	APS080	40	204	120	101	20	109	69,5	6,16	3P8716400235
50	G2	63	25	F05/F07	14	340	APS080	50	204	140	101	20	109	78,0	7,17	3P8716400240
65	G2.1/2	63	48	F07/F10	17	520	APS110	65	268	185	121,5	20	133	100,0	16,3	3P8716400245
80	G3	63	75	F07/F10	17	1100	APS130	80	298	205	141	20	155	112,5	23,4	3P8716400250
100	G4	63	110	F10/F12	17	1820	APS140	100	390	240	153	30	172	125,5	37,6	3P8716400255

