

Pneumatically operated  
2-Way 2-piece  
Stainless Steel ball valve

# P8711 APE



## P8711 APE

Solid, pneumatically operated 2-piece 2-Way Stainless Steel ball valve with airpower actuator in double acting and single acting version.

### SIZE

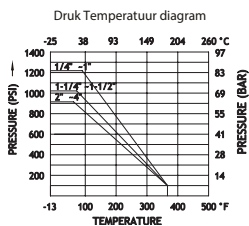
DN08 (1/4") to DN100 (4")

### CONNECTION

- 2-Sided female thread according to DIN 2999, DIN 259
- Mounting flange according to ISO 5211

### NOMINAL PRESSURE

Maximum PN63



### TEMPERATURE RANGE

From -25° to +180°C

### MATERIALS

Body: stainless steel DIN 1.4408 (CF8M)  
Ball: stainless steel AISI 316  
Ball seal: PTFE 15% glass fiber reinforced  
Shaft: Stainless steel AISI 316  
Shaft sealing: PTFE 15% glass fiber reinforced  
O-ring: FPM  
Packed gland PTFE

### FLOW DIRECTION

Random

### MOUNTING POSITION

See mounting reference for industrial valves.

### MEDIUM

Neutral gases and liquids. For applications with aggressive media consult resistance table. Certain media may increase the torque.

### OPERATION (Standard)

With pneumatic actuator double acting or single acting (spring closing "NC" or spring opening "NO") version.

### CONTROL MEDIUM

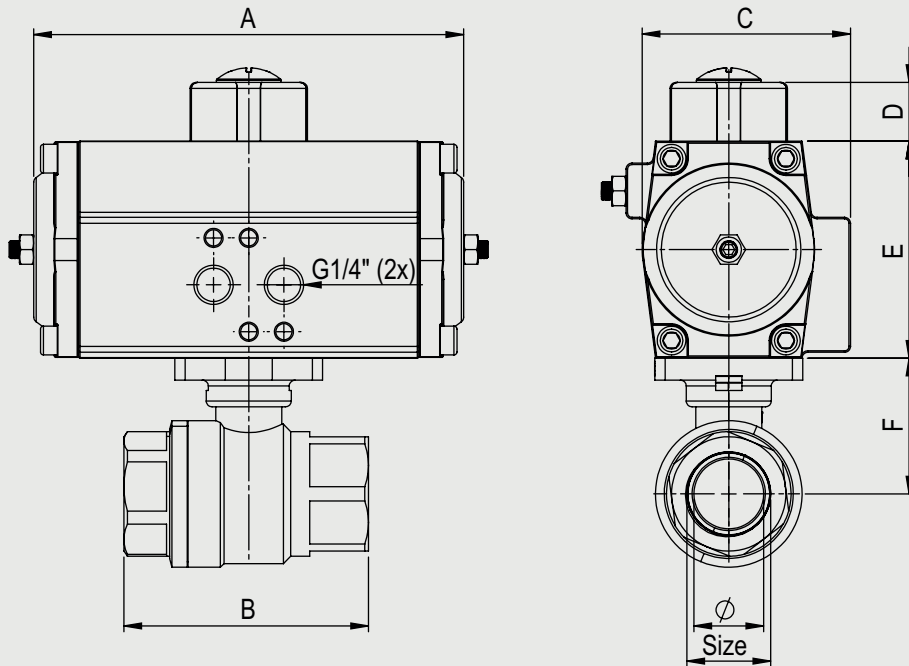
Compressed air or inert gases according PNEUROP/ISO class 4, other control medium on request.

### CONTROL PRESSURE

- 5,5 bar, other control pressure on request.

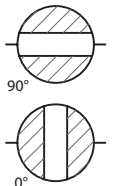
### OPTIONS AND ACCESSORIES

Mechanical or inductive limit switches mounted in a switch box or single mounted on the actuator.  
ATEX-version on request



### Double-acting ball valve with pipe threads

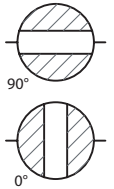
Nominal[mm] connection[mm]		max. press. [bar] PN	M(1) +30% [Nm]	Flange	Square	Kv [m <sup>3</sup> /h]	Pneumatic Actuator	Dimension [mm] and weight [kg]							Order Code	
DN	Rp							ø	A	B	C	D	E	F		Weight
8	G1/4	63	5	F03	9	6	APD032	11,5	116	56	51	20	45	37	1,70	3P8711400005
10	G3/8	63	5	F03	9	10	APD032	12,5	116	56	51	20	45	37	4,40	3P8711400010
15	G1/2	63	5	F03/F04	9	24	APD032	15	116	57	51	20	45	37	1,75	3P8711400015
20	G3/4	63	8	F03/F04	9	43	APD040	20	120	64	65	20	60	42	2,02	3P8711400020
25	G1	63	10	F04/F05	11	83	APD040	25	120	77	65	20	60	45,5	2,18	3P8711400025
32	G1.1/4	63	14	F04/F05	11	130	APD050	32	168	90	71	20	88	54	2,75	3P8711400030
40	G1.1/2	63	18	F05/F07	14	205	APD060	40	168	105	83	20	88	59,5	3,30	3P8711400035
50	G2	63	25	F05/F07	14	340	APD060	50	168	125	83	20	88	67,5	4,93	3P8711400040
65	G2.1/2	63	45	F07/F10	17	520	APD080	65	204	153	101	20	109	93	4,93	3P8711400045
80	G3	63	75	F07/F10	17	1100	APD090	76	260	172	107	20	120	109	4,93	3P8711400050
100	G4	63	110	F07/F10	17	1820	APD110	94	268	221	121,5	20	133	121	4,93	3P8711400055



# P8711 APE

## Single-acting ball valve with pipe threads, NC

Nominal[mm] connection[mm]		max. press. [bar] PN	M(1) +30% [Nm]	Flange	Squa- re	Kv [m3/h]	Pneumatic Actuator	Dimension [mm] and weight [kg]								Order Code
DN	Rp							ø	A	B	C	D	E	F	Weight	
8	G1/4	63	5	F03	9	6	APS050	11,5	146	56	71	20	74	37	1,80	3P8711400105
10	G3/8	63	5	F03	9	10	APS050	12,5	146	56	71	20	74	37	4,50	3P8711400110
15	G1/2	63	5	F03/F04	9	24	APS050	15	146	57	71	20	74	37	1,85	3P8711400115
20	G3/4	63	8	F03/F04	9	43	APS050	20	146	64	71	20	74	42	2,12	3P8711400120
25	G1	63	10	F04/F05	11	83	APS060	25	168	77	83	20	88	45,5	2,28	3P8711400125
32	G1.1/4	63	14	F04/F05	11	130	APS070	32	184	90	94,5	20	100	54	3,65	3P8711400130
40	G1.1/2	63	18	F05/F07	14	205	APS080	40	204	105	101	20	109	59,5	4,80	3P8711400135
50	G2	63	25	F05/F07	14	340	APS080	50	204	125	101	20	109	67,5	6,53	3P8711400140
65	G2.1/2	63	45	F07/F10	17	520	APS110	65	268	153	125,5	20	133	93	6,53	3P8711400145
80	G3	63	75	F07/F10	17	1100	APS130	76	298	172	141	20	155	109	6,53	3P8711400150
100	G4	63	110	F07/F10	17	1820	APS140	94	390	221	153	30	172	121	6,53	3P8711400155



## Single-acting ball valve with pipe threads, NO

Nominal[mm] connection[mm]		max. press. [bar] PN	M(1) +30% [Nm]	Flange	Squa- re	Kv [m3/h]	Pneumatic Actuator	Dimension [mm] and weight [kg]								Order Code
DN	Rp							ø	A	B	C	D	E	F	Weight	
8	G1/4	63	5	F03	9	6	APS050	11,5	146	56	71	20	74	37	1,80	3P8711400205
10	G3/8	63	5	F03	9	10	APS050	12,5	146	56	71	20	74	37	4,50	3P8711400210
15	G1/2	63	5	F03/F04	9	24	APS050	15	146	57	71	20	74	37	1,85	3P8711400215
20	G3/4	63	8	F03/F04	9	43	APS050	20	146	64	71	20	74	42	2,12	3P8711400220
25	G1	63	10	F04/F05	11	83	APS060	25	168	77	83	20	88	45,5	2,28	3P8711400225
32	G1.1/4	63	14	F04/F05	11	130	APS070	32	184	90	94,5	20	100	54	3,65	3P8711400230
40	G1.1/2	63	18	F05/F07	14	205	APS080	40	204	105	101	20	109	59,5	4,80	3P8711400235
50	G2	63	25	F05/F07	14	340	APS080	50	204	125	101	20	109	67,5	6,53	3P8711400240
65	G2.1/2	63	45	F07/F10	17	520	APS110	65	268	153	125,5	20	133	93	6,53	3P8711400245
80	G3	63	75	F07/F10	17	1100	APS130	76	298	172	141	20	155	109	6,53	3P8711400250
100	G4	63	110	F07/F10	17	1820	APS140	94	390	221	153	30	172	121	6,53	3P8711400255

