

Manually operated  
2-Way 3-piece  
Stainless Steel ball valve

## H8016 APE



### H8016 APE

Solid, manually operated 3-piece 2-Way Stainless Steel ball valve with ISO Top for direct mounting actuator

#### SIZE

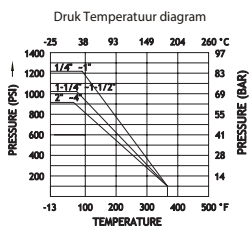
DN08 (1/4") to DN100 (4")

#### CONNECTION

- 2-Sided female thread according to ISO 7/1, DIN 2999
- Mounting flange according to ISO 5211
- Installation dimension according DIN 3203 - M3

#### NOMINAL PRESSURE

Maximum PN63



#### TEMPERATURE RANGE

From -10° to +200°C (depending on operating pressure)

#### MATERIALS

Body: stainless steel 1.4408  
Ball: Stainless steel 1.4401  
Ball seal: PTFE 15% glass fiber reinforced  
Shaft: Stainless steel 1.4401  
Shaft sealing: PTFE 15% glass fiber reinforced  
O-ring: FPM  
Packed gland PTFE  
Gland: Stainless steel 1.4301

Plate Spring: Spring steel

Lever: Stainless steel AISI 304

#### FLOW DIRECTION

Random

#### MOUNTING POSITION

See mounting reference for industrial valves.

#### MEDIUM

Neutral gases and liquids. For applications with aggressive media consult resistance table. Certain media may increase the torque.

#### OPERATION (Standard)

With Lever (secure with lock) or bare shaft

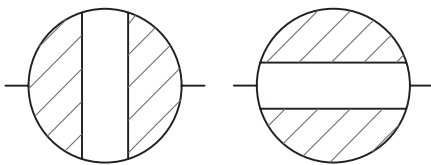
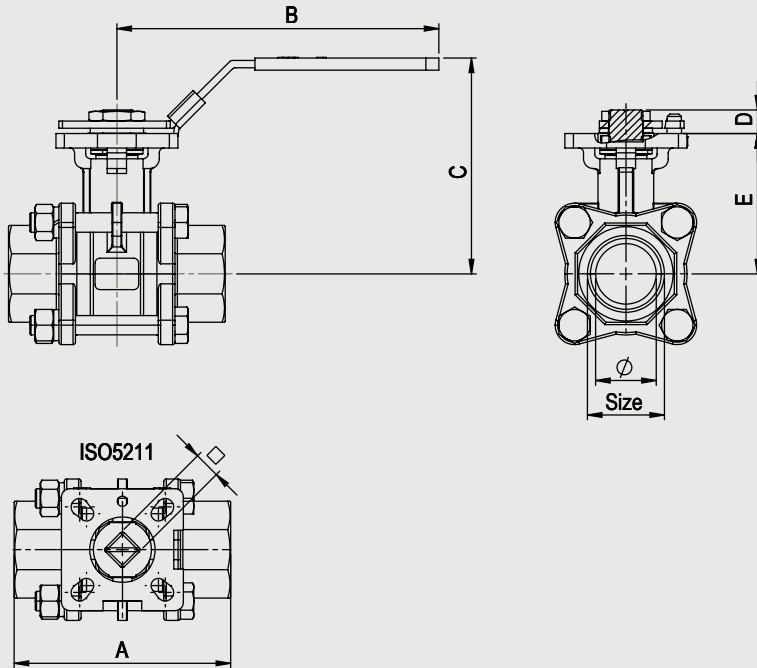
#### SPECIAL FEATURES

Shaft: Blow-out proof

Parabolic washers for constant tension on gland seal

ATEX-version on request

Manually operated  
2-Way 3-piece  
Stainless Steel ball valve  
**H8016 APE**



**Ball Valve 2-way with pipe threads, ISO Top and lever**

Nominal[mm] connection[mm]		max. press. [bar]	M(1) +30% [Nm]	Flange	Square	Kv [m3/h]	Dimension [mm] and weight [kg]							Order Code
DN	Rp	PN					ø	A	B	C	D	E	Weight	
8	G1/4	63	4,0	F03	9	6	11	50	115	59	8	32,5	0,460	3H8016400005
10	G3/8	63	4,0	F03	9	10	12,5	60	115	59	8	32,5	0,480	3H8016400010
15	G1/2	63	5,0	F03/F04	9	24	15	75	117	70	8	42,0	0,500	3H8016400015
20	G3/4	63	8,0	F04/F05	11	43	20	80	134	78	9	50,0	0,890	3H8016400020
25	G1	63	10	F04/F05	11	83	25	90	134	87	9,5	58,0	1,280	3H8016400025
32	G1.1/4	63	14	F05/F07	14	130	32	110	203	98	12,5	64,0	1,990	3H8016400030
40	G1.1/2	63	18	F05/F07	14	205	40	120	203	104	12,5	69,5	2,960	3H8016400035
50	G2	63	25	F05/F07	14	340	50	140	203	112	12,5	78,0	3,750	3H8016400040
65	G2.1/2	63	48	F07/F10	17	520	65	185	255	140	17	100,0	7,800	3H8016400045
80	G3	63	75	F07/F10	17	1100	80	205	255	153	18	112,5	12,40	3H8016400050
100	G4	63	110	F10/F12	17	1820	100	240	302	166	18,5	125,5	20,80	3H8016400055

