

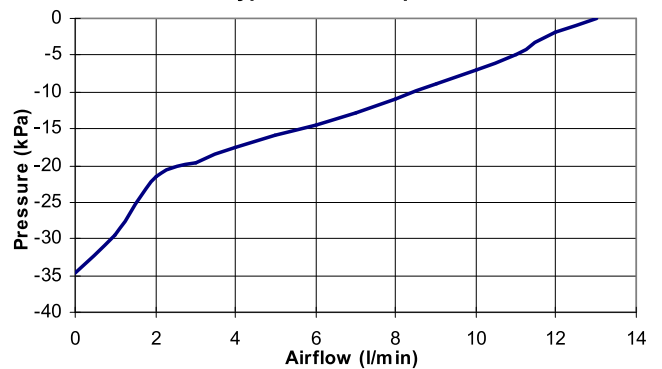
# LP1224

## VACUUMPUMP LOWVOLTAGE

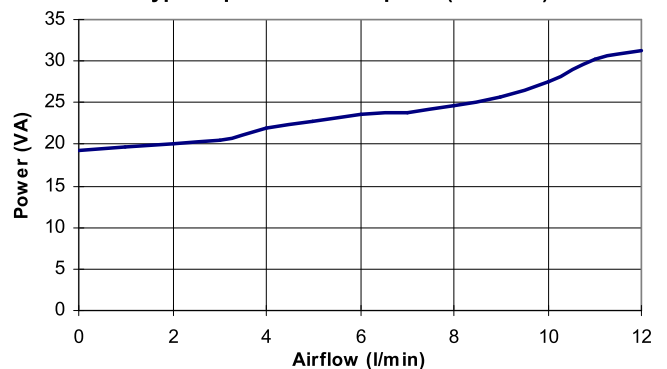


aimspump

12V DC Typical vacuum performance



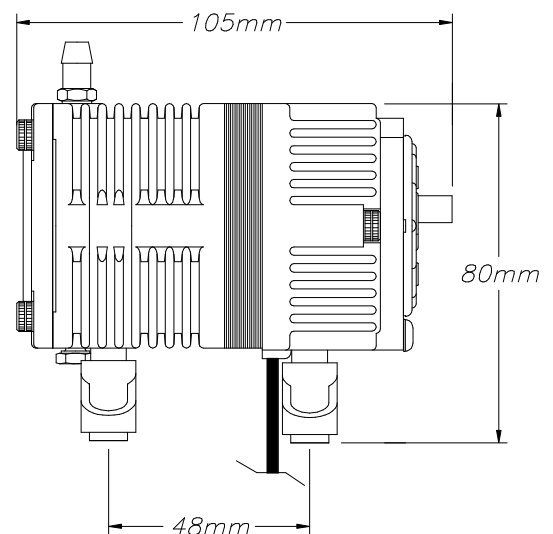
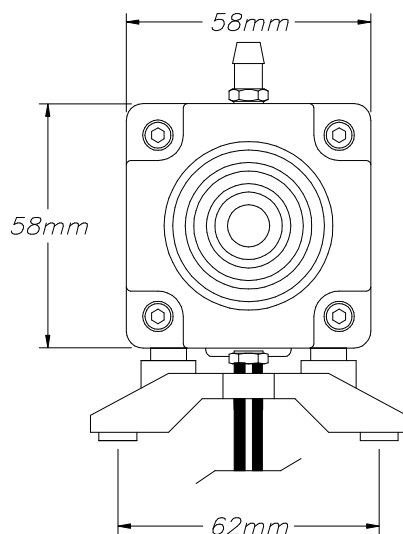
Typical power consumption (Vacuum)



### LP1224 SPECIFICATIONS

<b>Rated Voltage(s):</b>	DC 12 Volts Pulsed
<b>Voltage characteristic:</b>	On 5ms, Off 15ms
<b>Rated Vacuum:</b>	-12.5kPa
<b>Maximum Vacuum Airflow:</b>	12 l/min
<b>Maximum Vacuum:</b>	-34.5kPa
<b>Rated Frequency:</b>	50Hz
<b>Power Consumption Max (DC):</b>	31.5 VA
<b>Duty Cycle:</b>	Continuous
<b>Coil insulation Class:</b>	Class F
<b>Environmental Conditions:</b>	0°C – 40°C & 35% - 85% RH
<b>Mounting Dimensions:</b>	48(L) x 62(W) mm
<b>Unit outside dimensions:</b>	105mm x 58mm x 58mm
<b>Gross Weight:</b>	700 grams (1.54lbs)
<b>Lead Wire Length:*</b>	AWG22 (UL1015, 105°C) X 260mm
<b>Outlet:*</b>	7.5mm diameter barb, hose nipple.

\*Example given. Customer determined attributes are available.  
Patented and patents pending



Contact technical sales for additional information regarding life expectancy and operating conditions.  
All the information in this datasheet is supplied in good faith.  
This information is given without obligation or liability.