

AP1014

VACUUMPUMP



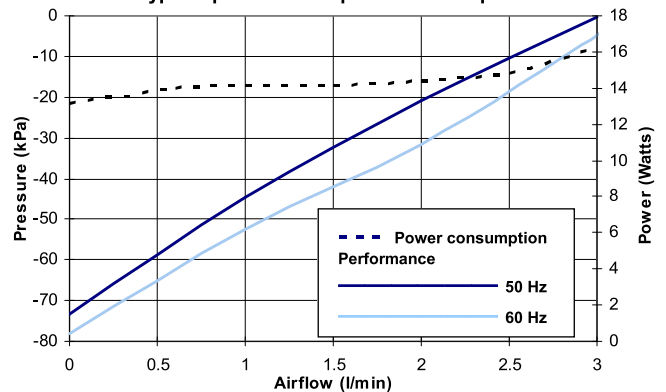
AP1014 SPECIFICATIONS

Rated Vacuum:	-40kPa (-400mB, -11.81 inHg)
Rated Voltage(s):	100V, 120V or 230V
Maximum Vacuum Airflow:	>2.4 l/min (0.085 cfm)
Maximum Vacuum:	>-50kPa (-500mB, -14.9 inHg)
Rated Frequency:	50Hz or 60Hz
Power Consumption:	14-15 Watts
Duty Cycle:	Continuous
Coil insulation Class:	Class F. Class B for UL (1450) (120V)
Noise Level:	40 dB (A)
Environmental Conditions:	0°C – 40°C & 35% - 85% RH
Mounting Dimensions:	48(L) x 62(W) mm
Unit outside dimensions:	99mm x 58mm x 58mm
Gross Weight:	700 grams (1.54lbs)
Lead Wire Length:*	AWG22 (UL1015, 105°C) X 260mm
Outlet:*	7.5mm diameter barb, hose nipple.

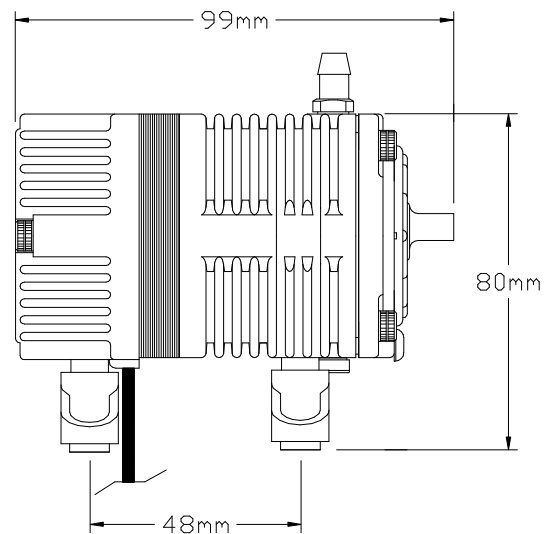
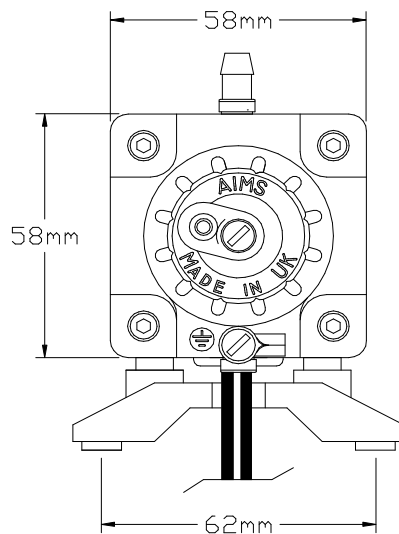
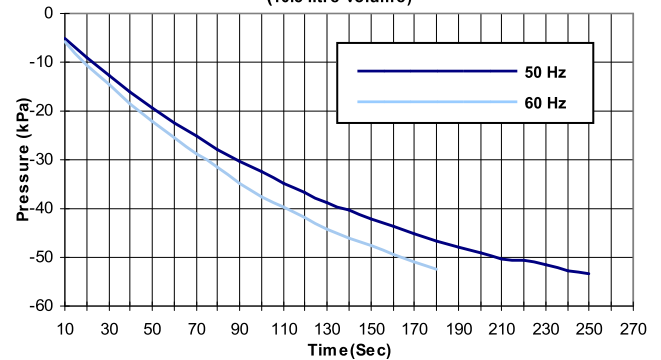
*Example given. Customer determined attributes are available.
Patented and patents pending

aimspump

Typical performance/power consumption



Typical exhaust characteristics
(10.5 litre volume)



Contact technical sales for additional information regarding life expectancy and operating conditions.
All the information in this datasheet is supplied in good faith.
This information is given without obligation or liability.